

NOTES:

1. MATERIALS AND FINISHES:

HD-BNC STR PLUG - BRASS, NICKEL PLATED
 BNC STR PLUG - BRASS, NICKEL PLATED
 CABLE - BELDEN 1855A

2. ELECTRICAL:

A. IMPEDANCE: 75 OHM
 B. FREQUENCY RANGE: DC - 3.0 GHz

3. MECHANICAL:

A. TEMPERATURE RANGE : 0°C TO +50°C

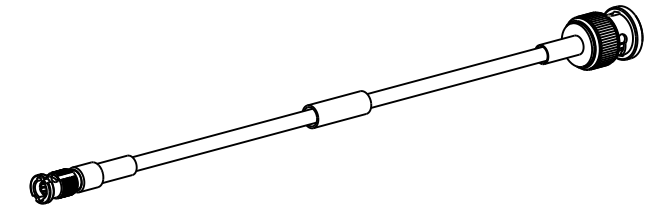
4. PACKAGING:

A. MARKING: BAG TO BE MARKED
 "AMPHENOLRF, 95-850-130-XXX AND DATE CODE"

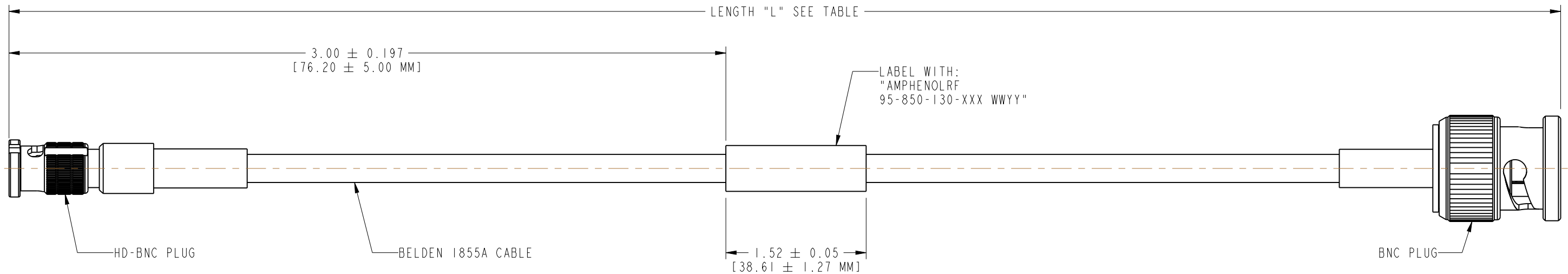
THIRD ANGLE PROJ.

REVISIONS

REV	DESCRIPTION	DATE	ECO	APPR
A	RELEASE TO MFG.	12/10/12	49339	KR



SCALE 0.500



S.NO	AMPHENOLRF PART NUMBER	LENGTH "L"
1	95-850-130-006	6.00 ^{+0.30} ₋₀ [152.40 ^{+7.62} ₋₀ MM]
2	95-850-130-012	12.00 ^{+0.60} ₋₀ [304.80 ^{+15.24} ₋₀ MM]
3	95-850-130-018	18.00" ^{+0.90} ₋₀ [457.20 ^{+22.86} ₋₀ MM]
4	95-850-130-036	36.00" ^{+1.80} ₋₀ [914.40 ^{+45.72} ₋₀ MM]

95-850-130-XXX, WHERE XXX REPRESENTS THE LENGTH OF THE CABLE ASSEMBLY.
 CUSTOM LENGTHS ARE AVAILABLE ON REQUEST.

DESIGN REQUIREMENTS:

- | | |
|---|--|
| <input checked="" type="checkbox"/> FREQUENCY : DC TO 3 GHz | <input checked="" type="checkbox"/> CONTINUITY |
| <input type="checkbox"/> VSWR ----- : 1 MAX | <input checked="" type="checkbox"/> HI-POT: 750 VRMS |
| <input type="checkbox"/> INS. LOSS ----- dB MAX | <input type="checkbox"/> OTHER |

CUSTOMER OUTLINE DRAWING

ALL OTHER SHEETS ARE FOR INTERNAL USE ONLY

UNLESS OTHERWISE SPECIFIED, DIMENSIONS ARE IN INCHES AND TOLERANCES ARE: 2 PLACE DECIMAL 3 PLACE DECIMAL ANGLES ±.015 (0,381 mm) ±.005 (0,127 mm) ± 1°	MATERIAL SEE NOTES	DRAWN ABHAYA KISHORE	DATE 19-Jan-12	TITLE HD-BNC STR PLUG TO BNC STR CRIMP PLUG USING BELDEN 1855A CABLE, VARIOUS LENGTH		Amphenol RF www.amphenolrf.com	
	REFERENCE EAR #	ENGINEER ABHAYA KISHORE	DATE 19-Jan-12				
NOTICE - These drawings, specifications, or other data (1) are, and remain the property of Amphenol corp. (2) must be returned upon request; and (3) are confidential and not to be disclosed to any person other than those to whom they are given by Amphenol Corp. the furnishing of these drawings, specifications, or other data by Amphenol Corp., or to any other person to anyone for any purpose is not to be regarded by implication or otherwise in any manner licensing, granting rights to permitting such holder or any other person to manufacture, use or sell any product, process or design, patented or otherwise, that may in any way be related to or disclosed by said drawings, specifications, or other data.	CONFIGURATION LEVEL: In Work	APPROVED K. CAPOZZI	DATE 12/4/12	SCALE: 1.8:1.0	SHEET 2 OF 2	ITEM NO.95-850-130-XXX	
	FINISH	CAD FILE	DWG SIZE B	REV A	PART NO.95-850-130-XXX		