

**PLEASE CHECK WWW.MOLEX.COM FOR LATEST PART INFORMATION**

**Part Number:** [0834219014](#)  
**Status:** **Active**  
**Overview:** commercial\_microd  
**Description:** 1.27mm (.050") Pitch Commercial Micro D, Cable Receptacle Kit, 9 Circuits

**Documents:**

[3D Model](#) [Product Specification PS-83421-001 \(PDF\)](#)  
[Drawing \(PDF\)](#) [RoHS Certificate of Compliance \(PDF\)](#)

**General**

Product Family	I/O Connectors
Series	<a href="#">83421</a>
Application	Wire-to-Board
Component Type	Receptacle
Overview	<a href="#">commercial_microd</a>
Product Literature Order No	USA-063
Product Name	Commercial Micro-D
Type	N/A

**Physical**

Boot Color	BLACK
Circuits (Loaded)	9
Circuits (maximum)	9
Durability (mating cycles max)	500
Gender	Receptacle
Lock to Mating Part	Yes
Material - Plating Mating	Gold
Number of Rows	2
Orientation	N/A
PCB Locator	No
PCB Retention	N/A
Packaging Type	Bag
Panel Mount	No
Pitch - Mating Interface (in)	0.025 In
Pitch - Mating Interface (mm)	0.64 mm
Plating min: Mating (µin)	30
Plating min: Mating (µm)	0.76
Polarized to Mating Part	Yes
Polarized to PCB	N/A
Ports	1
Surface Mount Compatible (SMC)	No
Temperature Range - Operating	-40°C to +125°C
Termination Interface: Style	N/A
Waterproof / Dustproof	No
Wire Size AWG	26, 28

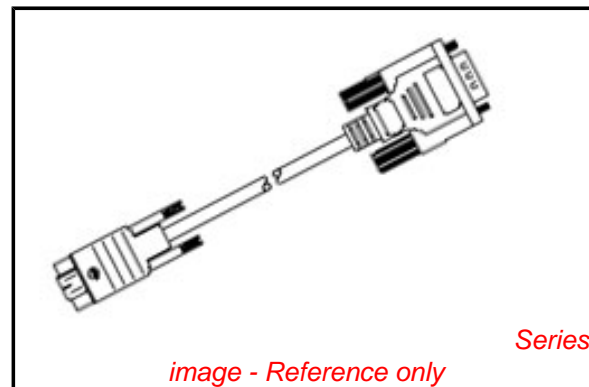
**Electrical**

Current - Maximum per Contact	1A
Shield Type	Full Shield
Shielded	Yes
Voltage - Maximum	350V AC

**Material Info**

**Reference - Drawing Numbers**

Product Specification	PS-83421-001
Sales Drawing	SD-83421-002



**EU RoHS**

**ELV and RoHS  
Compliant**  
**REACH SVHC**  
 Not Reviewed  
**Halogen-Free  
Status**

**China RoHS**



**Not Reviewed**

**Need more information on product  
environmental compliance?**

Email [productcompliance@molex.com](mailto:productcompliance@molex.com)  
 For a multiple part number RoHS Certificate of  
 Compliance, [click here](#)

Please visit the [Contact Us](#) section for any  
 non-product compliance questions.

**Search Parts in this Series**

[83421Series](#)

**Mates With**

[83611](#) , [83619](#) , [83612](#) , [83614](#)

**Application Tooling | FAQ**

*Tooling specifications and manuals are  
found by selecting the products below.  
Crimp Height Specifications are then  
contained in the Application Tooling  
Specification document.*

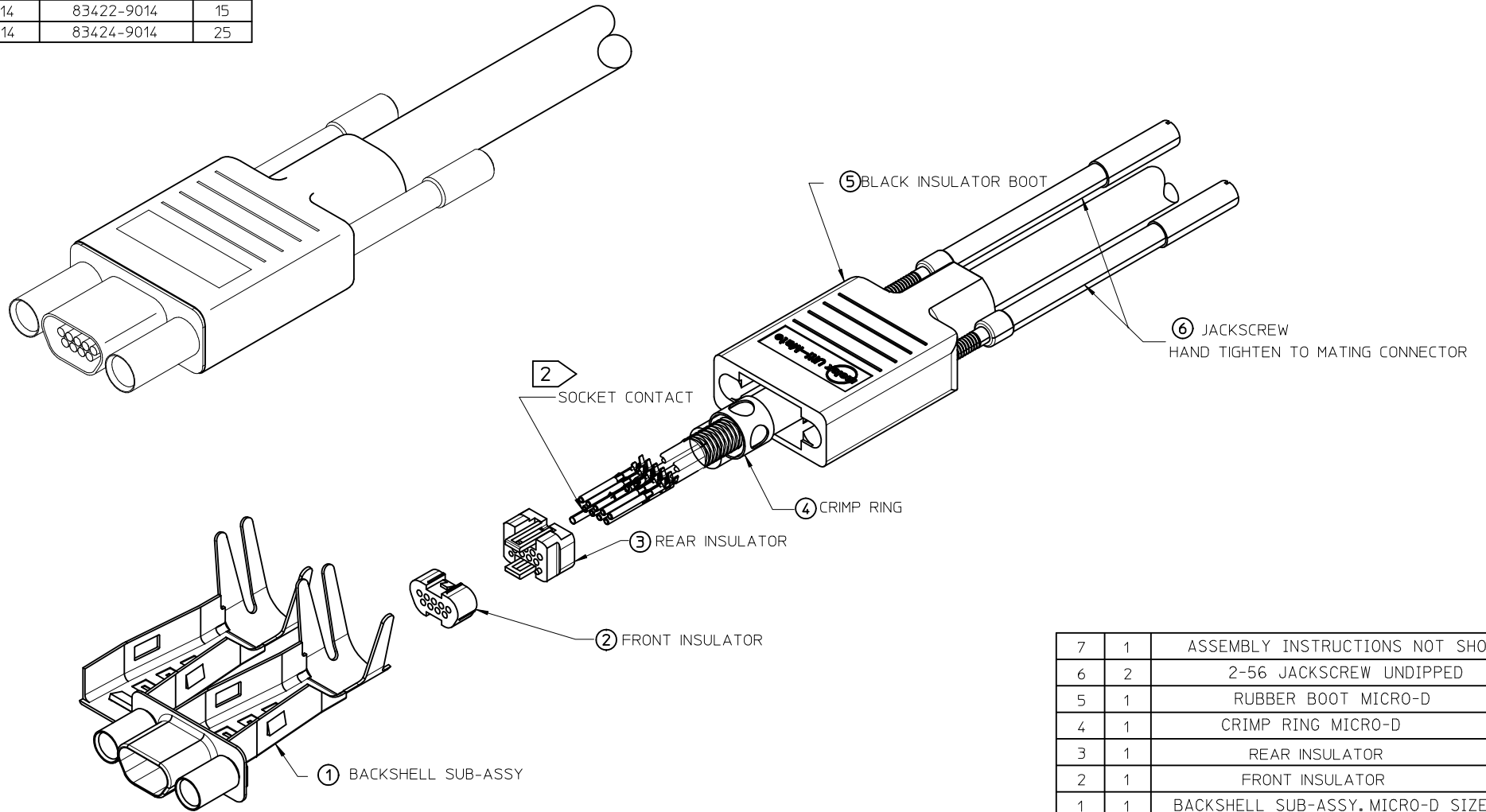
**Global**

Description	Product #
Manual Press for Micro-D Backshell Crimp Tool Kit, 9 Circuits	<a href="#">0622008900</a>
Micro-D Backshell Crimp Tool Kit, 9 Circuits	<a href="#">0622009000</a>
Hand Crimp Tool	<a href="#">0621000900</a>

This document was generated on 05/20/2010

**PLEASE CHECK [WWW.MOLEX.COM](http://WWW.MOLEX.COM) FOR LATEST PART INFORMATION**

10	9	8	7	6	5	4	3	2	1
MATERIAL NO.	ENGINEERING NO.	SIZE							
834219014	83421-9014	9							
834229014	83422-9014	15							
834249014	83424-9014	25							



7	1	ASSEMBLY INSTRUCTIONS NOT SHOWN
6	2	2-56 JACKSCREW UNDIPPED
5	1	RUBBER BOOT MICRO-D
4	1	CRIMP RING MICRO-D
3	1	REAR INSULATOR
2	1	FRONT INSULATOR
1	1	BACKSHELL SUB-ASSY. MICRO-D SIZE I5
ITEM	ITEM	DESCRIPTION

3. ROHS COMPLIANT

2 CONTACTS SOLD SEPARATELY. ORDER BY:  
 P/N 830009502 (2500 CONTACT REEL)  
 P/N 830009503 (50000 CONTACT REEL)  
 P/N 830000083 (LOOSE CONTACTS)

1. REFER TO PS-83421-9000 FOR PRODUCT SPECIFICATION.

NOTES: UNLESS OTHERWISE SPECIFIED

<b>REDRAWN</b> EC NO: WNA2010-0482 DRW:BRUPERT 2010/02/09 CHKD:BRUPERT 2010/04/21 APPR: JFMURPHY 2010/04/21	QUALITY SYMBOLS ▽=0 ◻=0	GENERAL TOLERANCES (UNLESS SPECIFIED) <table border="1"> <tr> <td></td> <td>mm</td> <td>INCH</td> </tr> <tr> <td>4 PLACES</td> <td>± ---</td> <td>± ---</td> </tr> <tr> <td>3 PLACES</td> <td>± ---</td> <td>± .005</td> </tr> <tr> <td>2 PLACES</td> <td>± 0.13</td> <td>± .010</td> </tr> <tr> <td>1 PLACE</td> <td>± 0.3</td> <td>± ---</td> </tr> <tr> <td colspan="3">ANGULAR ± 1/2°</td> </tr> </table>		mm	INCH	4 PLACES	± ---	± ---	3 PLACES	± ---	± .005	2 PLACES	± 0.13	± .010	1 PLACE	± 0.3	± ---	ANGULAR ± 1/2°			DIMENSION STYLE <b>IN/MM</b>	SCALE <b>2:1</b>	DESIGN UNITS <b>INCH</b>	THIRD ANGLE PROJECTION 
		mm	INCH																					
	4 PLACES	± ---	± ---																					
	3 PLACES	± ---	± .005																					
2 PLACES	± 0.13	± .010																						
1 PLACE	± 0.3	± ---																						
ANGULAR ± 1/2°																								
DRAWN BY URBACH	DATE 99/09/03	TITLE <b>CONNECTOR KIT, RECEPTACLE, W/2-56 JACKSCREWS</b>																						
CHECKED BY HEB	DATE 02/01/31	<b>MOLEX INCORPORATED</b>																						
APPROVED BY RWD	DATE 02/01/31	MATERIAL NO. <b>SEE CHART</b>	DOCUMENT NO. <b>SD-83421-002</b>	SHEET NO. <b>1 OF 1</b>																				
DRAFT WHERE APPLICABLE MUST REMAIN WITHIN DIMENSIONS						SIZE <b>A3</b>																		
THIS DRAWING CONTAINS INFORMATION THAT IS PROPRIETARY TO MOLEX INCORPORATED AND SHOULD NOT BE USED WITHOUT WRITTEN PERMISSION																								