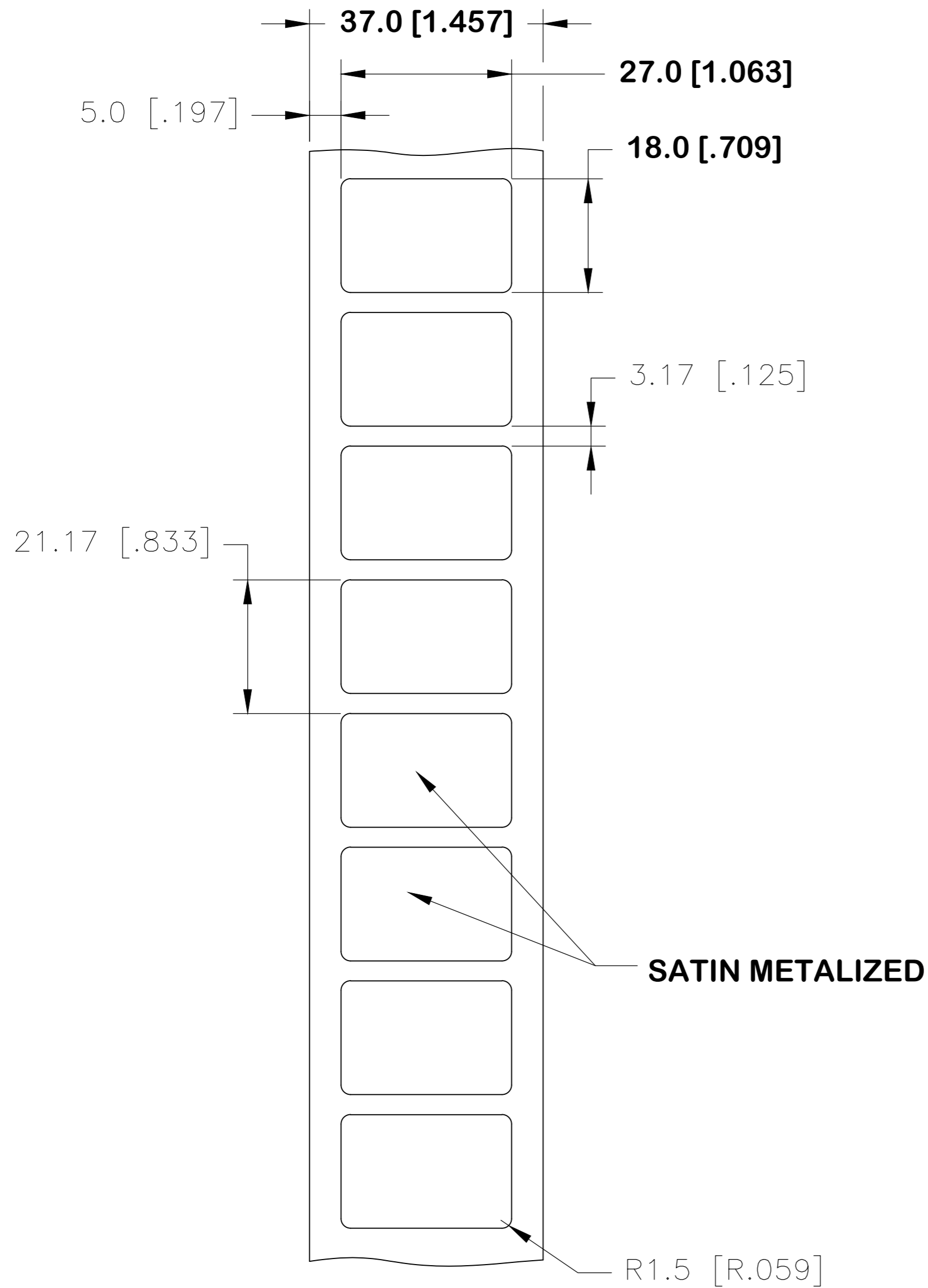
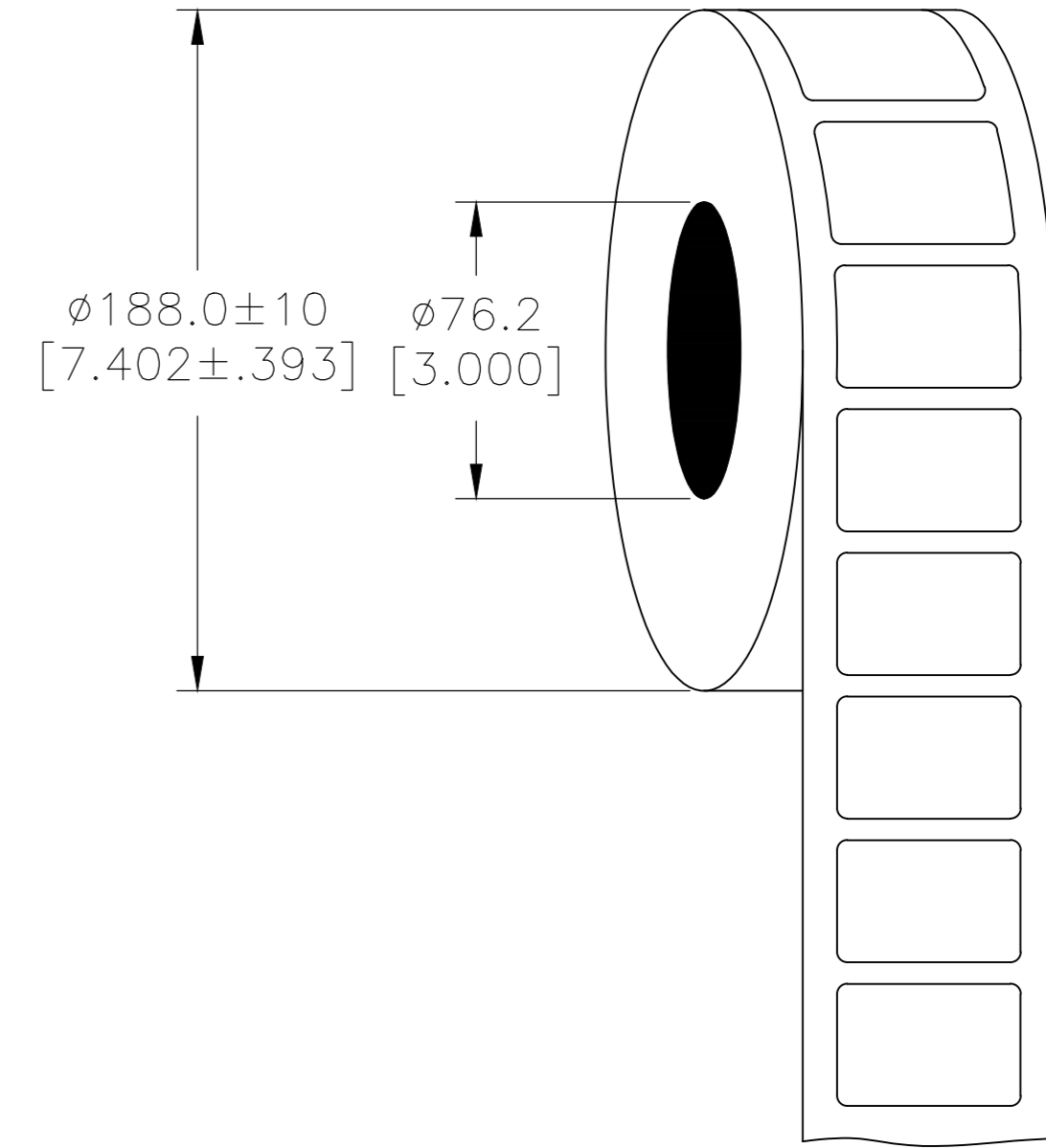


REVISIONS					
P	LTR	DESCRIPTION	DATE	DWN	APVD
	A	NEW DRAWING	21SEP2017	GK	DB
	A1	UL TABLE UPDATED	06JUN2018	GK	DB

LABEL AND LINER DESIGN



PRESENTATION



**OUTSIDE WOUND
 LABEL ACROSS: 1
 PER ROLL QTY: 1250**

All dimensions in mm [Inch]

TE PN: 2322538-1

UL-MARKING AND LABELLING SYSTEMS	
PGJ12 - Printing Materials - Component (UL 969)	
PGJ18 - Printing Materials Certified for Canada - Component (CSA C22.2 No. 0.15)	
File: MH17292	Product design: PL-8A Ribbon: TTB-XXXSC/YYYYAQ529

TOLERANCES mm [INCH]	
LABEL HEIGHT:	± 0.3 [.012]
LABEL WIDTH:	± 0.3 [.012]
WEB WIDTH:	± 0.5 [.020]
VERTICAL REPEAT:	± 0.5 [.020]*
HORIZONTAL REPEAT:	± 0.5 [.020]*
LABEL POSITIONING:	± 0.5 [.020]*
LEFT MARGIN:	± 0.5 [.020]
QUANTITY:	-0 % +2 %
*NON ACCUMULATING	

THIS DRAWING IS A CONTROLLED DOCUMENT.	
DIMENSIONS: mm [INCHES]	TOLERANCES UNLESS OTHERWISE SPECIFIED:
	0 PLC ±
	1 PLC ± -
	2 PLC ± -
	3 PLC ± -
4 PLC ± -	
ANGLES	± -
MATERIAL SEE TABLE	FINISH SATIN

MATERIAL	POLYESTER SATIN METALIZED	
ADHESIVE TYPE	ACRYLIC PE FOAM	
LINEAR	BROWN KRAFT	
DWN GOPALAKRISHNA HV 21SEP2017	TE Connectivity	
CHK D.BURGAT 21SEP2017	NAME	
APVD D.BURGAT 21SEP2017	PANEL LABEL-SATIN METALIZED 27.0 x 18.0mm [1.063 x 0.709inch]	
PRODUCT SPEC TTDS-245	APPLICATION SPEC	
WEIGHT 0.229 _g	SIZE A2	CAGE CODE FB1U7
CUSTOMER DRAWING	DRAWING NO PL-027018-1.25-8A	RESTRICTED TO
SCALE NTS	SHEET 1 of 1	REV A1