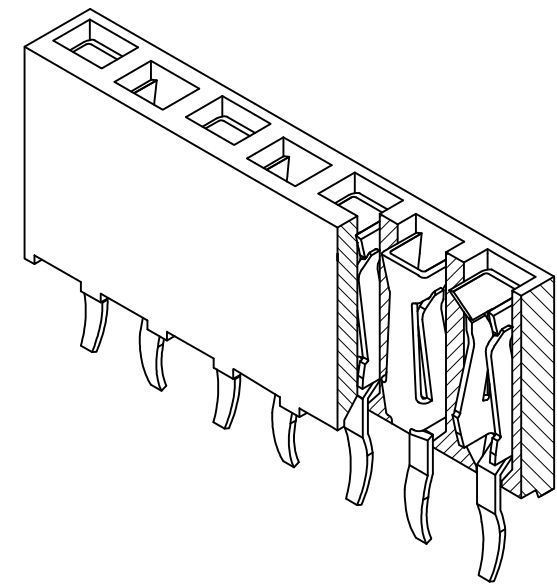
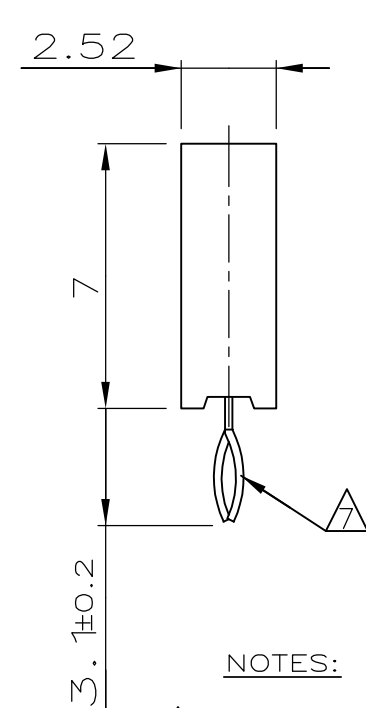
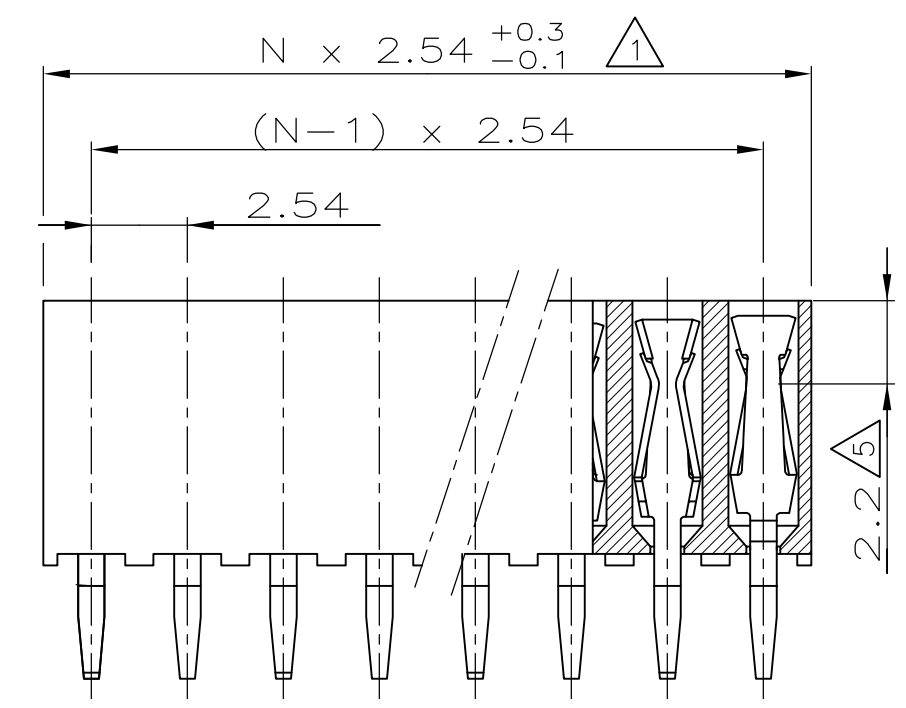
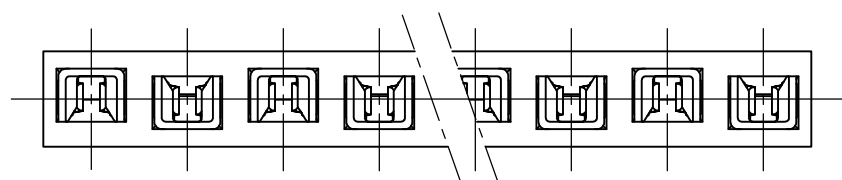


THIS DRAWING IS UNPUBLISHED. RELEASED FOR PUBLICATION  
 © COPYRIGHT - By - ALL RIGHTS RESERVED.

LOC		DIST		REVISIONS			
P	LTR	DESCRIPTION		DATE	DWN	APVD	
	D	HOUSING RESIN MATERIAL CHANGED		25DEC2013	TJ	JK	

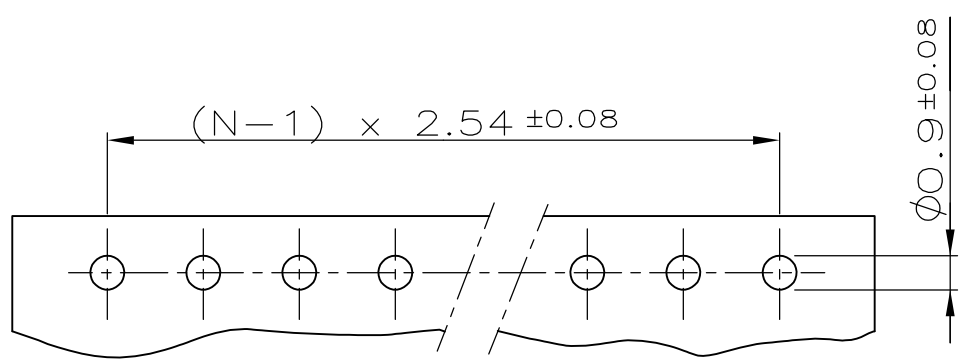


POLZ.	L	BESTELL-NR.	
-	-	-	-
2	5.08	215 297-2	
3	7.62		-3
4	10.16		-4
5	12.70		-5
6	15.24		-6
7	17.78		-7
8	20.32		-8
9	22.86		-9
10	25.40	1-	-0
11	27.94	1-	-1
12	30.48	1-	-2
13	33.02	1-	-3
14	35.56	1-	-4
15	38.10	1-	-5
16	40.64	1-	-6
17	43.18	1-	-7
18	45.72	1-	-8
19	48.26	1-	-9
20	50.80	2-	-0
21	53.34	2-	-1
22	55.88	2-	-2
23	58.42	2-	-3
24	60.96	2-	-4
25	63.50	2-	-5
26	66.04	2-	-6
27	68.58	2-	-7
28	71.12	2-	-8
29	73.66	2-	-9
30	76.20	3-	-0
31	78.74	3-	-1
32	81.28	3-	-2
33	83.82	3-	-3
34	86.36	3-	-4
35	88.90	3-	-5
36	91.44	3-	215 297-6



NOTES:

- 1. TO DETERMINE DIMENSIONS TAKE N = NO. OF POS.  
 FOR EXAMPLE: 10 POS.: N x 2,54 = 25,4 mm.  
 FOR ORDER NO. USE BASIC NO. + NO. OF POS.  
 FOR EXAMPLE: 2 POS.= 215 297-2 (SHORTEST VERSION)  
 36 POS.= 3-215 297-6 (LONGEST VERSION)
- 2. HOUSING MATERIAL: GREEN GLASSFILLED POLYESTER, UL 94V-0  
 CONTACT MATERIAL: PHOSPHOR BRONZE.
- 3. PLATING: UNDER COATING: 1,3µm Ni.  
 AT CONT.PLACE: 0,8µm Au.  
 AT SOLDER-TYNES: 3,0-5,0µm Sn
- 4. MATES WITH 0,63 SQUARE/ROUND MODU POSTS.
- 5. CONTACT-POINT.
- 6. RECOMMENDED P.C.BOARD-THICKNESS: 1,6mm.
- 7. RETENTION FEATURE.
- 8. HV100 CONNECTOR PACKED IN ANTISTATIC BLISTER TRAY



P.C.-BOARD HOLE-PATTERN

VERWENDET FÜR  
E 92-9803

THIS DRAWING IS A CONTROLLED DOCUMENT.		DWN R.VISSER 08.05.87	TE Connectivity	
DIMENSIONS: mm		CHK W.SIMONS		
TOLERANCES UNLESS OTHERWISE SPECIFIED: ±0.1		APVD L.v.SOEST	HV 100 VERTICAL CONNECTOR	
0 PLC ± -		PRODUCT SPEC 108-19056	SINGLE ROW, 7,0mm HEIGHT,	
1 PLC ± -		APPLICATION SPEC	TOP ENTRY, GOLD, MAX. 36 POSITIONS.	
2 PLC ± -		WEIGHT -	SIZE A3	CAGE CODE 00779
3 PLC ± -		CUSTOMER DRAWING	DRAWING NO. C-215297	RESTRICTED TO -
4 PLC ± -			SCALE 5:1	SHEET 1 OF 1
ANGLES ± -				
MATERIAL SEE NOTE 2				
FINISH SEE NOTE 3				