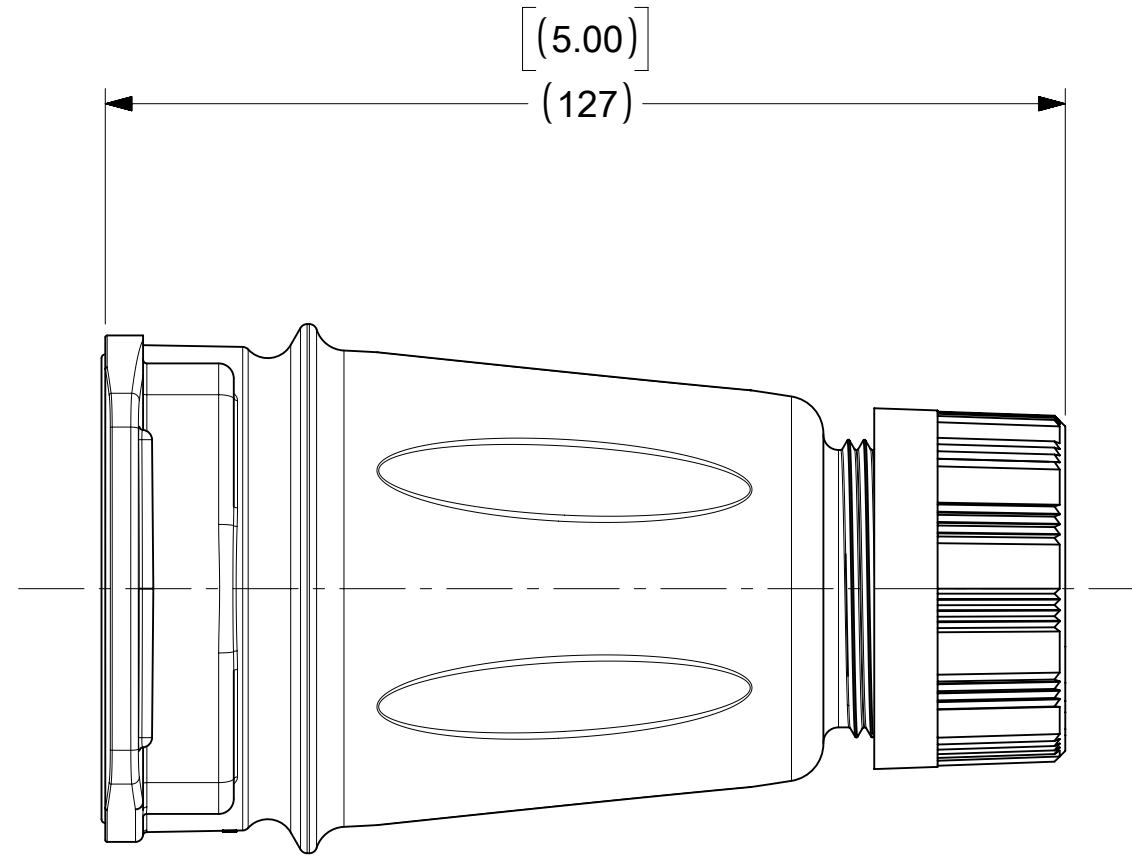
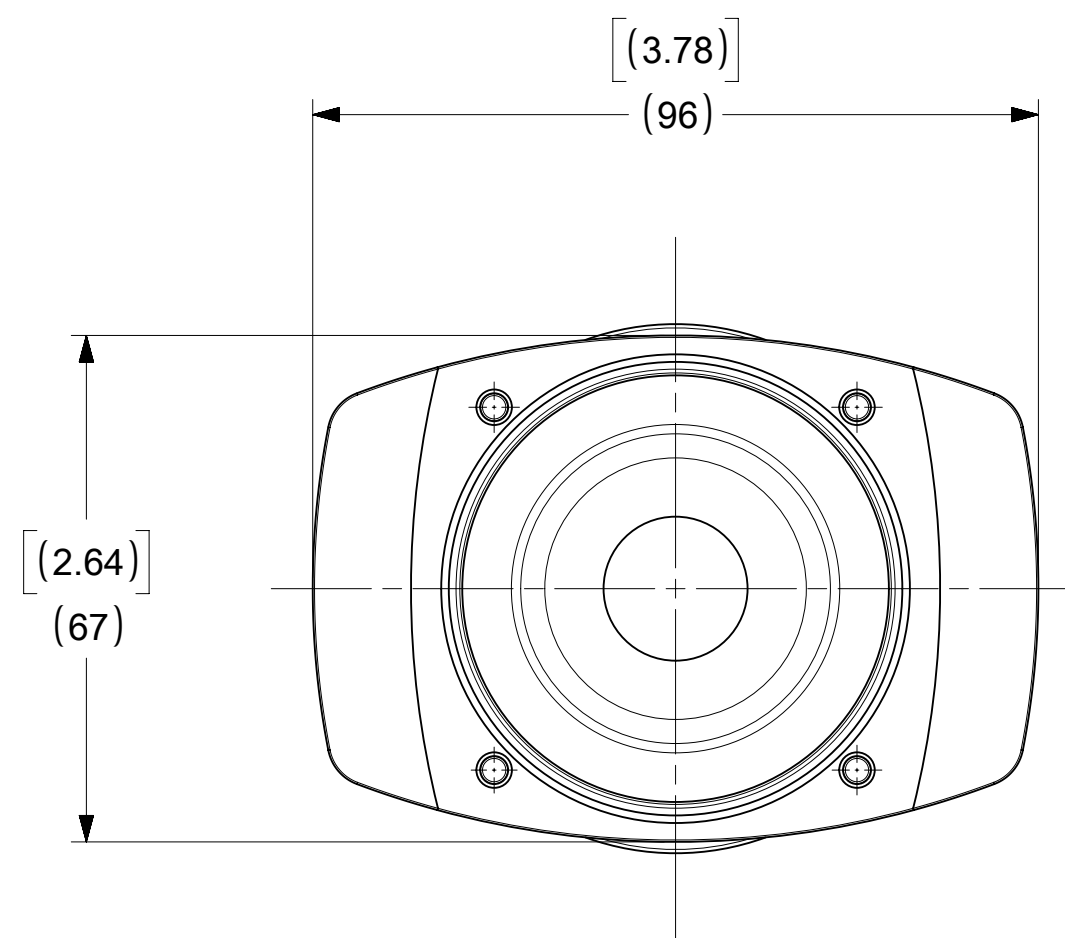
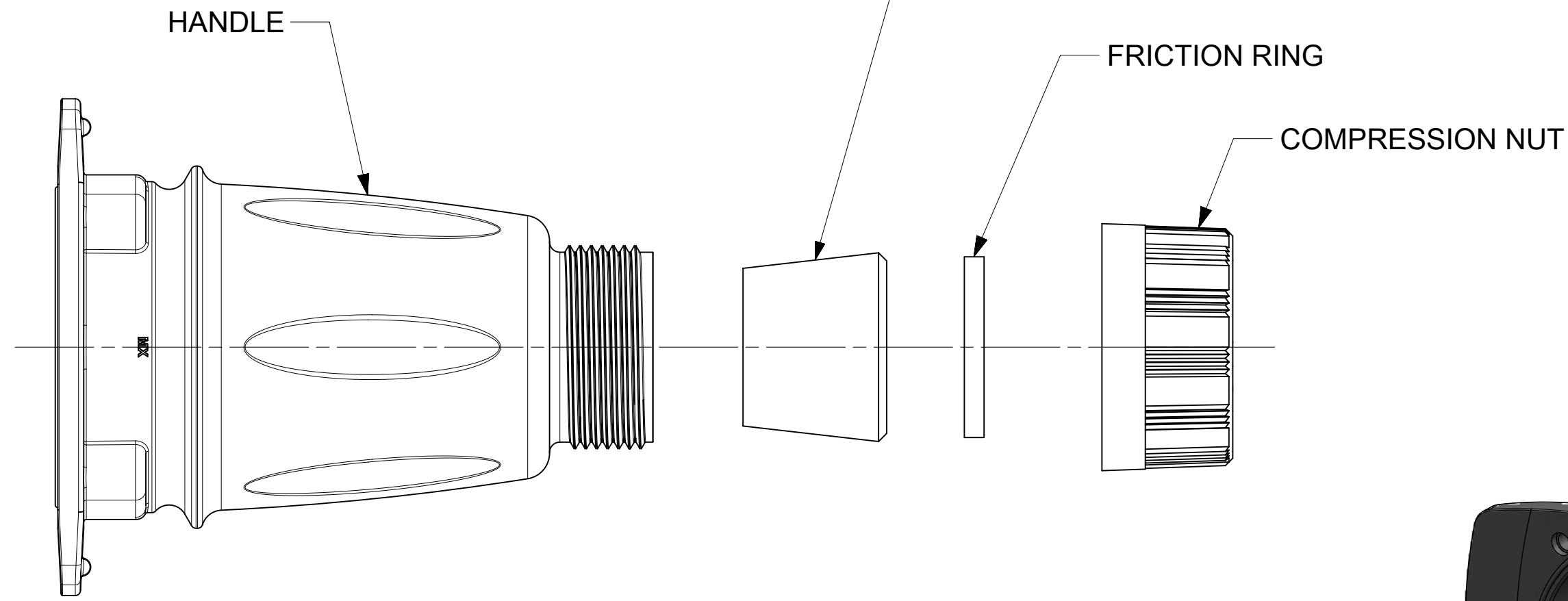


GROMMET , 3 SUPPLIED
 1301800411, GRAY, CABLE DIAMETER RANGE 12.7mm - 15.9mm (.500" - .625")
 1301800283, ORANGE, CABLE DIAMETER RANGE 15.9mm - 19.0mm (.625" - .750")
 1301800413, BLACK, CABLE DIAMETER RANGE 19.0mm - 22.2mm (.750" - .875")



NOTES:

- MATERIAL:
 HANDLE - GREY PBT
 GROMMET - RUBBER
 FRICTION RING - NATURAL POLYETHYLENE
 COMPRESSION NUT - BLACK PBT
 SELF TAPPING SCREWS (TO ASSEMBLE DEVICE, NOT SHOWN) - STAINLESS STEEL
- OPERATING TEMPERATURE RANGE -40°C (-40°F) TO 60°C (140°F).
- THIS DRAWING REPLACES SD-112219-601.

QUALITY SYMBOLS		THIS DRAWING CONTAINS INFORMATION THAT IS PROPRIETARY TO MOLEX ELECTRONIC TECHNOLOGIES, LLC AND SHOULD NOT BE USED WITHOUT WRITTEN PERMISSION			
▽ = 0	REDRAWN IN NX EC NO: 176476 DRWN: VBASUTHKARP CHKD: BRUPERT REV / APPR: BRUPERT 2018/05/09 2018/05/10 2018/05/10	GENERAL TOLERANCES (UNLESS SPECIFIED)		DIMENSION UNITS	SCALE
▽ = 0		MM	INCH	MM[INCH]	1:1
▽ = 0		4 PLACES ±	±	DRWN BY	DATE
▽ = 0		3 PLACES ±	± 0.005	KJ	5/2/2017
▽ = 0		2 PLACES ± 0.13	± 0.010	CHK'D BY	DATE
▽ = 0		1 PLACES ± 0.25	± 0.020	BR	5/2/2017
▽ = 0		0 PLACES ±	±	APPR BY	DATE
▽ = 0		ANGULAR TOL = 0.5°		JM	5/2/2017
▽ = 0		DRAFT WHERE APPLICABLE MUST REMAIN WITHIN DIMENSIONS		DRIVING SIZE	THIRD ANGLE PROJECTION
▽ = 0		B1	C		
RELEASE STATUS		P1		RELEASE DATE	2018/05/10 16:43:23
12		11		10	
9		8		7	
6		5		4	
3		2		1	

molex

ArcArrest™
 MAX-LOC™ HANDLE WITH
 DRAWPLATE

PRODUCT CUSTOMER DRAWING

SERIES	MATERIAL NUMBER	CUSTOMER
112219	1122196001	GENERAL MARKET

DOCUMENT NUMBER	DOC TYPE	DOC PART	SHEET NUMBER
1122196001	PSD	000	1 OF 1