

REV	DOCUMENT	CHANGED BY	CHECK
9	0059689	BM 22DEC09	RS

SERIES
MOTOROLA HOUSING
COMPENSATED AND
CALIBRATED (mV)

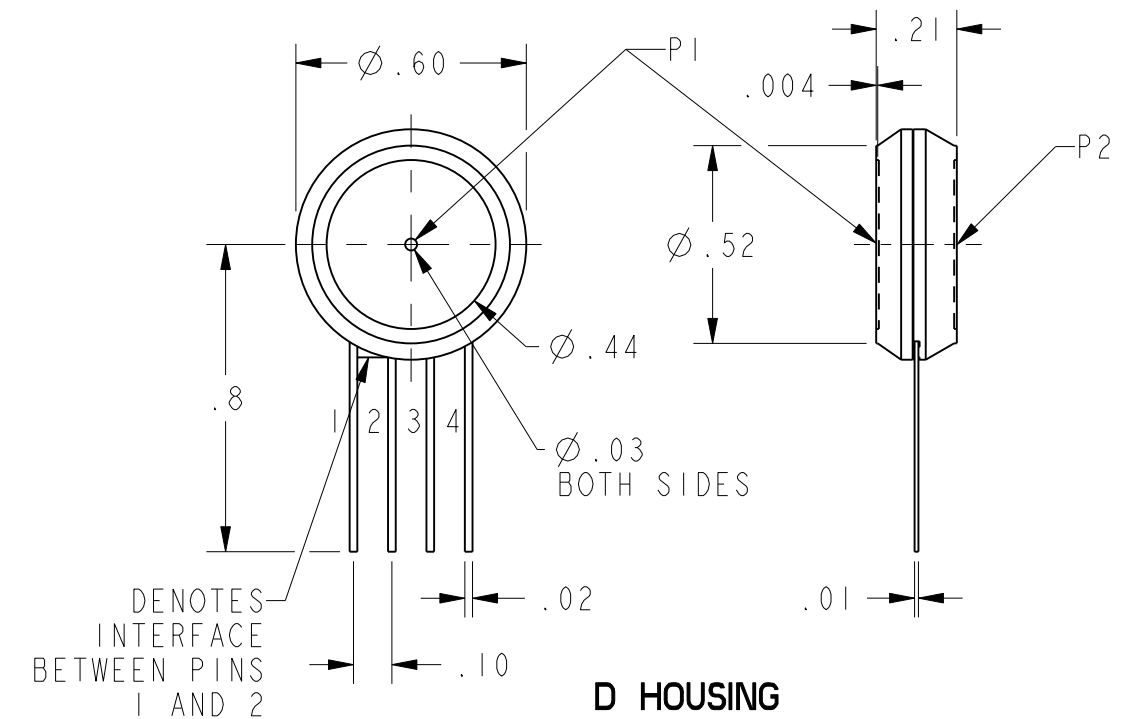
ACCURACY GRADE
C - COMMERCIAL GRADE
H - HIGH GRADE

PRESSURE RANGE
0.3, 01, 05, 15, 30,
60, 100 PSI

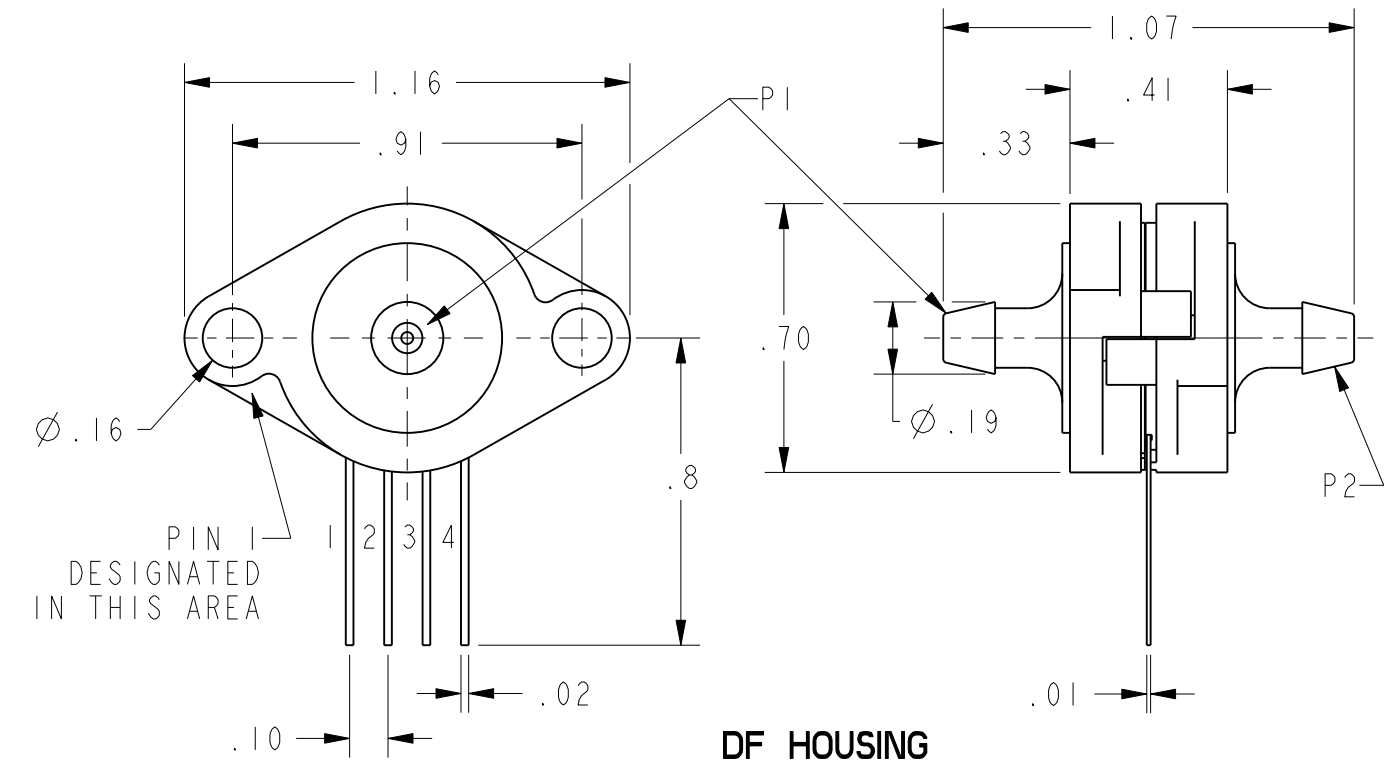
PORT OPTION
F - AXIAL
T - RADIAL

PRESSURE REFERENCE
D - DIFFERENTIAL

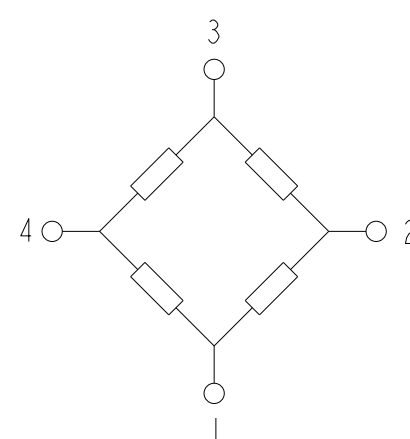
CATALOG LISTINGS	
⑧	⑧
⑦	XPC15DH
XPC0.3DH	XPC15DTC
XPC0.3DTC	XPC15DTH
XPC0.3DTH	XPC30DC
⑦	⑦
⑦	XPC30DTH
XPC01DH	⑦
XPC01DTC	XPC60DTH
XPC01DTH	XPC100DC
XPC05DFH	⑦
XPC05DC	XPC100DTC
XPC05DH	⑦
XPC05DTC	⑦
XPC05DTH	SCDA143 XPC110DH
XPC15DC	



D STYLE (DIFFERENTIAL)	PERFORMANCE AT 25°C AND 12±0.01 Vdc (UNLESS OTHERWISE STATED)						UNITS	FULL SCALE PRESSURE PSI	PROOF PRESSURE PSI	BURST PRESSURE PSI
	C-GRADE			H-GRADE						
	MIN	NOM	MAX	MIN	NOM	MAX				
OFFSET (0 PSI)	-1	0	1	-0.5	0	0.5	mV			
0.3 SPAN PSI (P1>VENT)	19	20	21	19.5	20	20.5	mV	0.3	3	5
1 PSI SPAN (P1>P2)	17	18	19	17.5	18	18.5	mV	1	3	5
5 PSI SPAN (P1>P2)	57	60	63	59	60	61	mV	5	15	25
15 PSI SPAN (P1>P2)	85	90	95	89	90	91	mV	15	45	75
30 PSI SPAN (P1>P2)	85	90	95	89	90	91	mV	30	90	150
60 PSI SPAN (P1>P2)	85	90	95	89	90	91	mV	60	180	300
100 PSI SPAN (P1>P2)	95	100	105	99	100	101	mV	100	250	400
NULL SHIFT OVER TEMPERATURE (0-25, 25-70 °C) / 2	---	---	±1	---	---	±.5	mV			
SPAN SHIFT OVER TEMPERATURE (0-25, 25-70 °C) / 2	---	---	±2	---	---	±1	%SPAN			
COMBINED LINEARITY AND HYSTERESIS / 3	---	0.25	1	---	0.25	0.5	%SPAN			

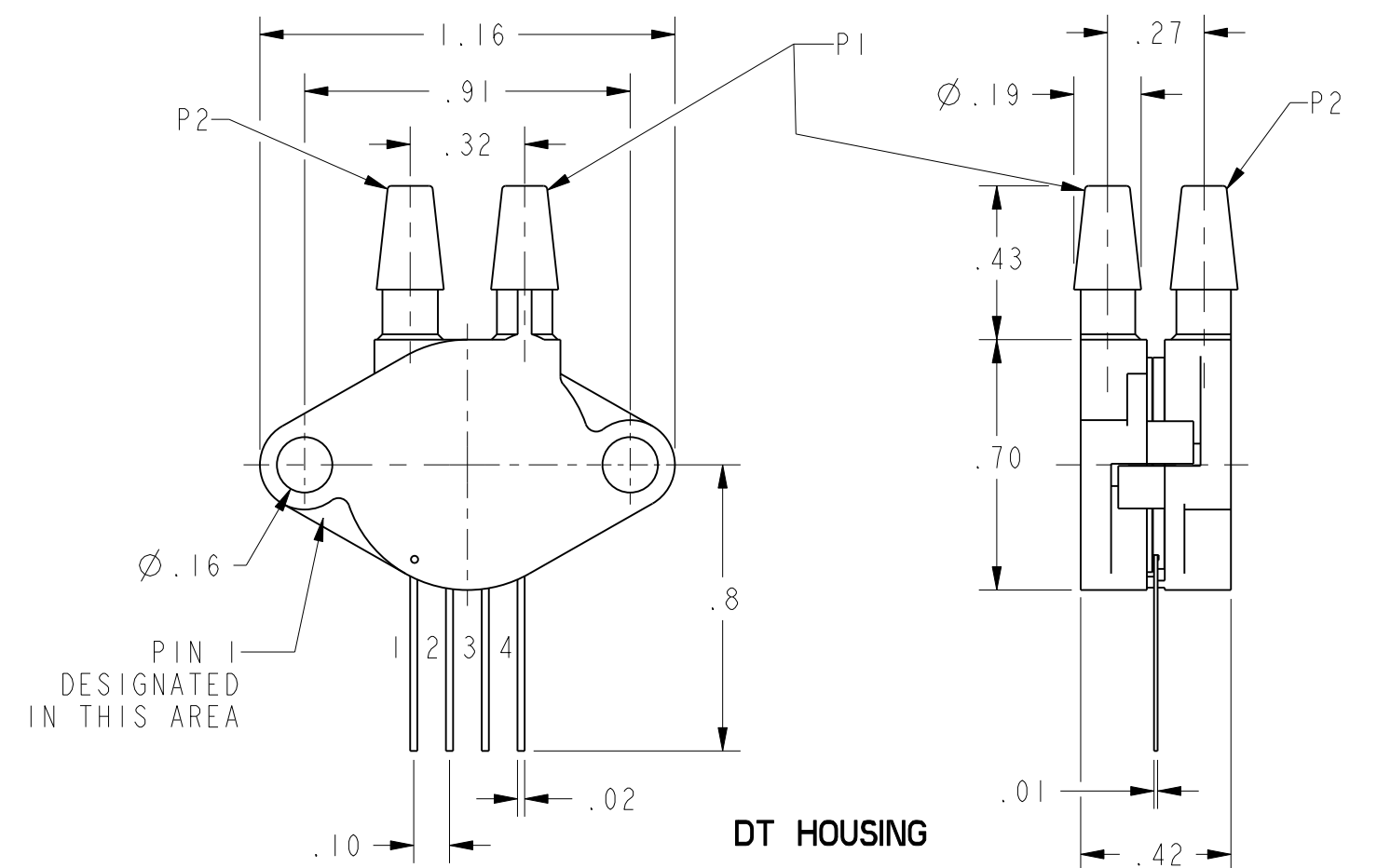


GENERAL OPERATING CHARACTERISTICS	ALL PRESSURES AND GRADES			UNITS
	MIN	NOM	MAX	
EXCITATION VOLTAGE	3	12	16	Vdc
SUPPLY CURRENT	---	---	3.5	mA
INPUT RESISTANCE	5	---	---	K-OHMS
OUTPUT RESISTANCE	---	3	---	K-OHMS
OPERATING TEMPERATURE	-25	---	85	°C
STORAGE TEMPERATURE	-40	---	125	°C



EQUIVALENT CIRCUIT

PIN OUT	
1	-V EXCITATION
2	+ OUTPUT SIGNAL
3	+ V EXCITATION
4	- OUTPUT SIGNAL



- NOTES
- 1 - SPAN IS THE ALGEBRAIC DIFFERENCE BETWEEN THE OUTPUT AT FULL SCALE PRESSURE AND THE OFFSET OUTPUT
 - 2 - TEMPERATURE ERROR IS CALCULATED WITH RESPECT TO 25°C
 - 3 - LINEARITY IS MEASURED AT 1/2 FULL SCALE PRESSURE USING BEST STRAIGHT LINE FIT
 - 4 - THE OUTPUT OF THE SENSOR IS PROPORTIONAL, RATIO-METRIC, TO THE EXCITATION VOLTAGE. ALL SPECIFICATIONS WILL NOMINALLY BE CHANGED BY THE RATIO OF $V_{EXCITATION}/12.0$ Vdc
 - 5 - LIMIT SOLDERING TO 315°C FOR LESS THAN 10 SECONDS
 - 6 - INPUT MEDIA FOR P1 IS RESTRICTED TO DRY GASES ONLY
 - 7 - ADDITIONAL EPOXY DISPENSED ACROSS LEADS DURING BOTTOM ASSEMBLY PER SPECIAL CUSTOMER PROGRAMME.

UNLESS OTHERWISE SPECIFIED TOLERANCES ARE:	<input checked="" type="checkbox"/> US (inch) CUSTOMARY	<input type="checkbox"/> SI (mm) METRIC	DRAWN	TRF	18APRO1	Honeywell		
NO PLACE	X	±.040 ±1	CHECK	AK	18APRO1			
ONE PLACE	.X	±.030 ±0.4	THIS DRAWING COVERS A PROPRIETARY ITEM AND IS THE PROPERTY OF HONEYWELL. THIS DRAWING IS NOT TO BE COPIED OR USED WITHOUT THE PERMISSION OF HONEYWELL.			TITLE		
TWO PLACE	.XX	±.015 ±0.15				SIZE	DWG TYPE	DRAWING NAME
THREE PLACE	.XXX	±.005 ±				C	I	XPC DIF SERIES CHART 1
ANGLES	±	±				SCALE	2:1	WEIGHT
RAW MATERIAL-COMMERCIAL STANDARD	±	±	3D PTC	ASME Y14.5M-1994	SHEET	1 OF 1		
THIRD ANGLE PROJECTION						REV		
						9		