

# 3mm (T1) Package Discrete LED GREEN, Super Bright



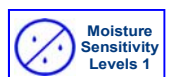
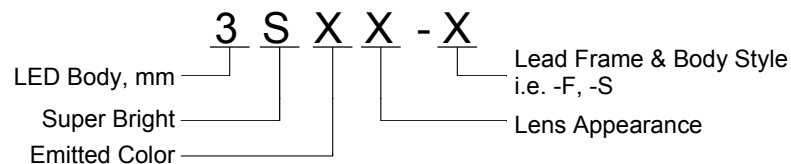
## 3SGX-X

- ◆ Industry Standard 3mm (T1) Package
- ◆ RoHS Compliant
- ◆ Water Clear (C), Diffused (D), and Tinted (T) Lenses
- ◆ Available in Flange (F) and Shouldered (S) Lead frame styles
- ◆ Up to 50 mcd Luminous Intensity at 20 mA
- ◆ Ideal for Status Indication and Display
- ◆ Recommended for Bivar Flexible Light Pipe assemblies

Bivar 3mm T1 Package Super Bright LED is ideal for those applications where higher ambient lighting exists such as sign boards, security system displays, and medical applications. Bivar offers water clear LED lens for maximum light output, diffused LED lens for uniform light output, and tinted lens to identify the color of the LED. The Flanged LED is ideal for Panel Mount Clip & Ring assemblies. The Shouldered Lead frame LED is ideal for vertical spacer assemblies without lead bends and also has a built in strain relief feature which is ideal for right angle holder assemblies that require lead bends.

| Part Number | Material | Emitted Color | Peak. Wavelength<br>$\lambda_p$ (nm) TYP. | Lens Appearance | Viewing Angle |
|-------------|----------|---------------|-------------------------------------------|-----------------|---------------|
| 3SGC-F      | GaP/GaP  | GREEN         | 568nm                                     | Water Clear     | 20°           |
| 3SGD-F      |          |               |                                           | Green Diffused  | 35°           |
| 3SGT-F      |          |               |                                           | Green Tinted    | 20°           |
| 3SGC-S      |          |               |                                           | Water Clear     | 30°           |
| 3SGD-S      |          |               |                                           | Green Diffused  | 40°           |
| 3SGT-S      |          |               |                                           | Green Tinted    | 30°           |

## Part Number Designation

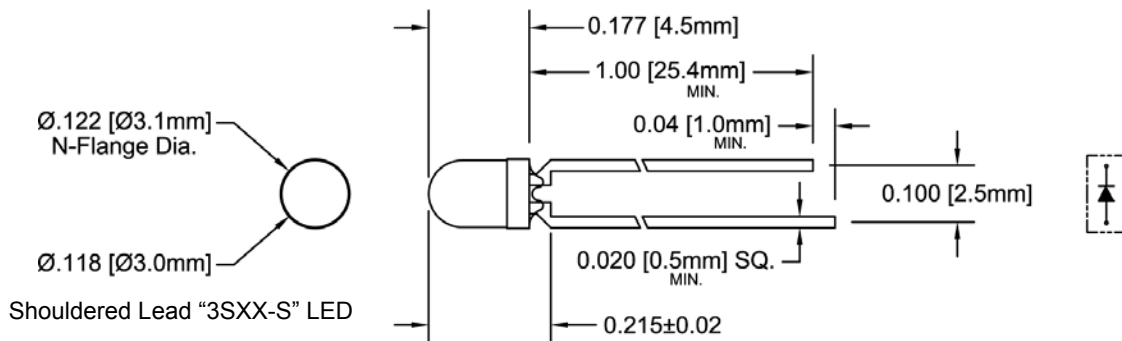
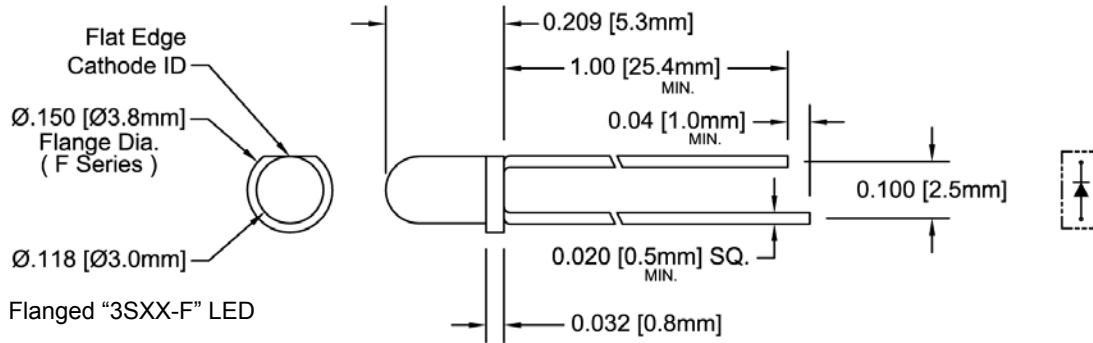


Bivar reserves the right to make changes at any time without notice.

# 3mm (T1) Package Discrete LED GREEN, Super Bright



## Outline Dimensions



### Recommended Mounting

Hole Size =  $\text{Ø}0.032^{+0.003}_{-0.002}$

#### Outline Drawings Notes:

1. All dimensions are in inches [millimeters].
2. Standard tolerance:  $\pm 0.010$ " unless otherwise noted.
3. Tolerance of overall epoxy outline:  $\pm 0.020$ " unless otherwise noted.
4. Epoxy meniscus may extend to 0.060" max.

Bivar reserves the right to make changes at any time without notice.

# 3mm (T1) Package Discrete LED GREEN, Super Bright



## Absolute Maximum Ratings

T<sub>A</sub> = 25°C unless otherwise noted

|                                                                                  |              |
|----------------------------------------------------------------------------------|--------------|
| Power Dissipation                                                                | 80 mW        |
| Forward Current ( DC )                                                           | 30 mA        |
| Peak Forward Current <sup>1</sup>                                                | 150 mA       |
| Reverse Voltage                                                                  | 5 V          |
| Operating Temperature Range                                                      | -25 ~ +85°C  |
| Storage Temperature Range                                                        | -30 ~ +100°C |
| Lead Soldering Temperature ( 3 mm from the base of the epoxy bulb ) <sup>2</sup> | 260°C        |

Notes: 1. 10% Duty Cycle, Pulse Width ≤ 0.1 msec.    2. Solder time less than 5 seconds at temperature extreme.

## Electrical / Optical Characteristics

T<sub>A</sub> = 25°C & I<sub>F</sub> = 20 mA unless otherwise noted

| Part Number | Forward Voltage (V) <sup>1</sup> |     |     | Recommend Forward Current (mA) |     |     | Reverse Current (μA) | Dominant Wavelength (nm) <sup>2</sup> |     |     | Luminous Intensity I <sub>v</sub> (mcd) |     |     | Viewing Angle 2Θ ½ (deg) |
|-------------|----------------------------------|-----|-----|--------------------------------|-----|-----|----------------------|---------------------------------------|-----|-----|-----------------------------------------|-----|-----|--------------------------|
|             | MIN                              | TYP | MAX | MIN                            | TYP | MAX | MAX                  | MIN                                   | TYP | MAX | MIN                                     | TYP | MAX | TYP                      |
| 3SGC-F      | /                                | 2.1 | 2.8 | /                              | 20  | /   | 100                  | /                                     | /   | /   | /                                       | 50  | /   | 20                       |
| 3SGD-F      |                                  |     |     |                                |     |     |                      | /                                     | /   | /   | /                                       | 30  | /   | 35                       |
| 3SGT-F      |                                  |     |     |                                |     |     |                      | /                                     | /   | /   | /                                       | 50  | /   | 20                       |
| 3SGC-S      | /                                | 2.1 | 2.8 | /                              | 20  | /   | 100                  | /                                     | /   | /   | /                                       | 50  | /   | 30                       |
| 3SGD-S      |                                  |     |     |                                |     |     |                      | /                                     | /   | /   | /                                       | 30  | /   | 40                       |
| 3SGT-S      |                                  |     |     |                                |     |     |                      | /                                     | /   | /   | /                                       | 50  | /   | 30                       |

Notes: 1. Tolerance of forward voltage : ±0.05V.    2. Tolerance of dominant wavelength : ±1.0nm.

Bivar reserves the right to make changes at any time without notice.

# 3mm (T1) Package Discrete LED GREEN, Super Bright



## Typical Electrical / Optical Characteristics

$T_A = 25^\circ\text{C}$  unless otherwise noted

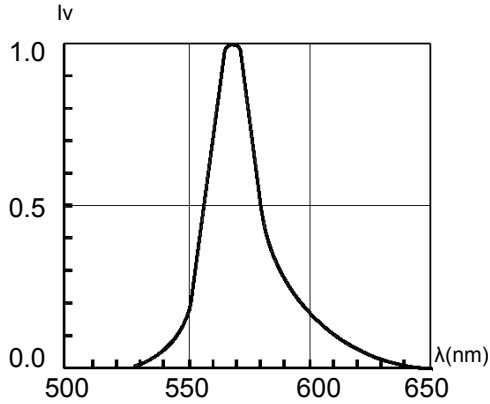


Fig. 1 Relative Luminous Intensity vs. Wavelength @ 20mA

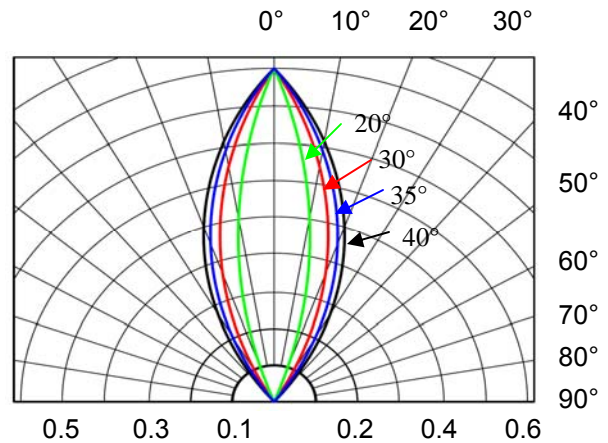


Fig. 2 Directivity Radiation Diagram

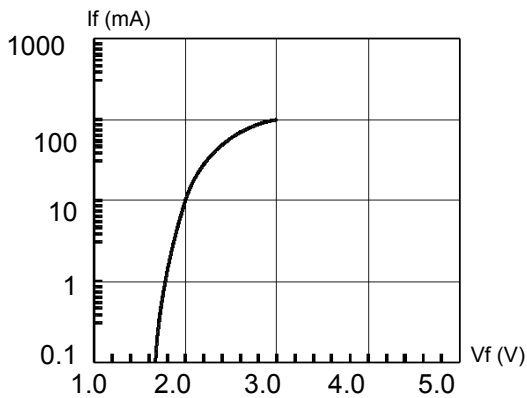


Fig. 3 Forward Current vs. Forward Voltage

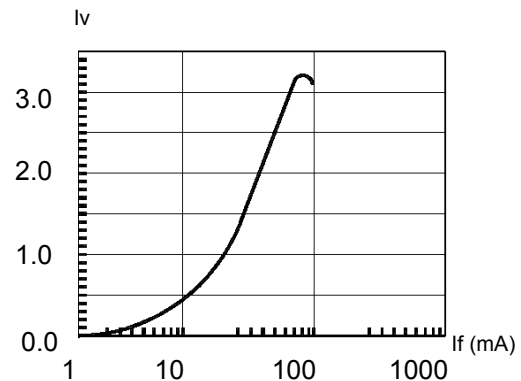


Fig. 4 Relative Luminous Intensity vs. Forward Current Normalize @ 20 mA

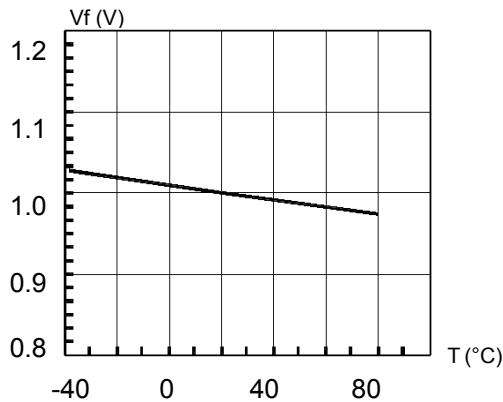


Fig. 5 Forward Voltage vs. Temperature

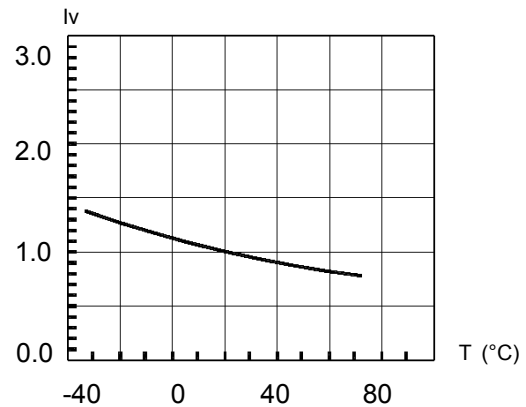


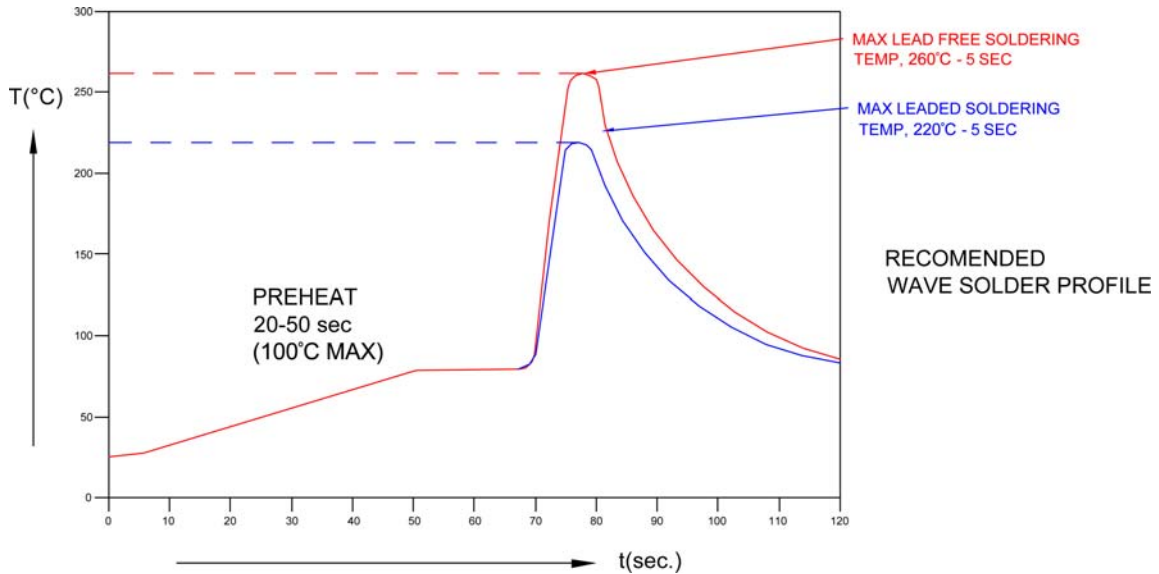
Fig. 6 Relative Luminous Intensity vs. Temperature

Bivar reserves the right to make changes at any time without notice.

# 3mm (T1) Package Discrete LED GREEN, Super Bright

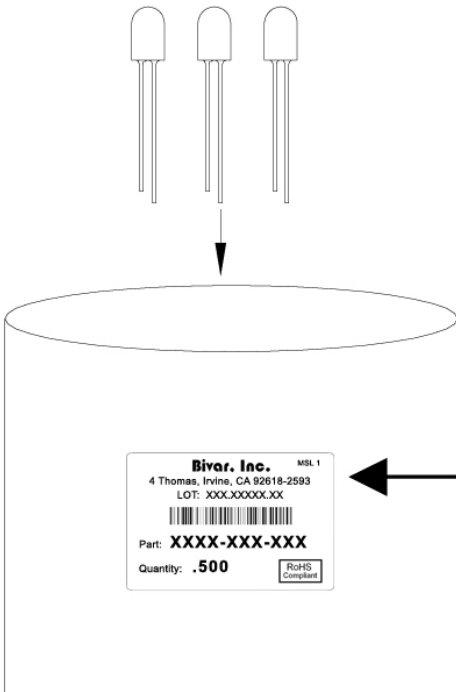


## Recommended Soldering Conditions



| Recommended Lead Free Wave Soldering Profile                                                       |                                         |
|----------------------------------------------------------------------------------------------------|-----------------------------------------|
| Preheat Temperature: 100°C Max.                                                                    | Peak Temperature: 260°C Max.            |
| Preheat Time: 20 ~ 50 Seconds                                                                      | Solder Time Above 217°C: 5 Seconds Max. |
| Note: Turn off top heater at preheat to prevent the lamp body directly exposed to the heat source. |                                         |

## Packaging and Labeling Plan



**Bivar, Inc.** MSL 1

4 Thomas, Irvine, CA 92618-2593  
LOT: XXX.XXXXX.XX

Part: **XXXX-XXX-XXX**

Quantity: **.500**

RoHS  
Compliant

Anti-Static Poly Bag with Desiccant  
(500 pcs Max. per Bag)

Bivar reserves the right to make changes at any time without notice.