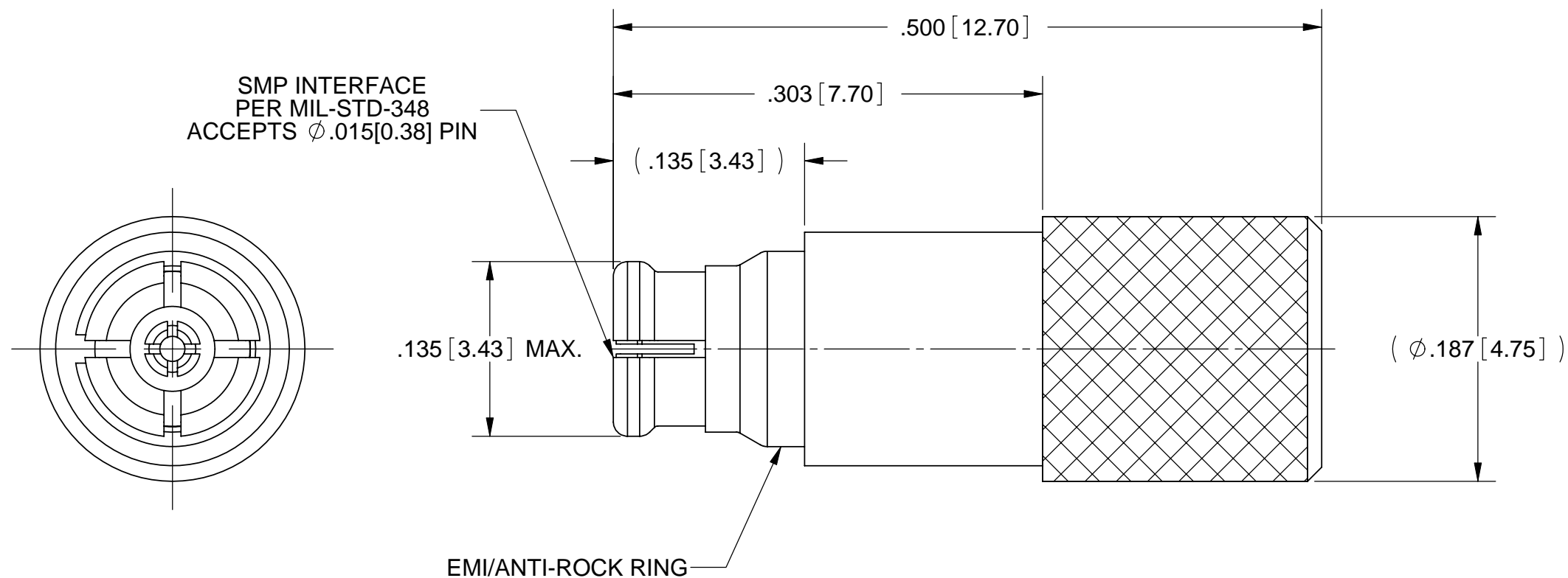


# PRODUCT DATA DRAWING

REVISION HISTORY			
REV	DESCRIPTION	DATE	APPROVED
-	REL. DCN 36760	05/14/09	PS



**MATERIALS:**  
 BODY, CONTACT,  
 EMI/ANTI-ROCK RING: BERYLLIUM COPPER ALLOY PER ASTM B196  
 ALLOY No. UNS17300 TD04

**INSULATOR:** PTFE PER ASTM D1710

**FINISHES:**  
 BODY, CONTACT,  
 EMI/ANTI-ROCK RING: GOLD PER ASTM B488, TYPE II, GRADE C,  
 CLASS 1.27, OVER NICKEL PER AMS-QQ-N-290, CLASS 1

**ELECTRICAL:**  
 IMPEDANCE: 50 OHMS

MATERIAL: SEE NOTES	DIMENSIONS ARE IN INCHES TOLERANCES: FRACTIONAL: $\pm 1/64$ ANGULAR: X° $\pm 1'0$ X°X' $\pm 15'$	UNLESS OTHERWISE SPECIFIED 1) ALL DIMENSIONS ARE IN INCHES (MILLIMETERS) 2) ALL DIMENSIONS ARE AFTER PLATING. 3) BREAK CORNERS & EDGES .005 R. MAX. 4) CHAM. 1ST & LAST THREADS. 5) SURFACE ROUGHNESS 63-MIL-STD-10. 6) DIA.'S ON COMMON CENTERS TO BE CONCENTRIC WITHIN .005 T.I.R. 7) REMOVE ALL BURRS	<b>SV Microwave, Inc.</b> 2400 Centrepark West Drive, Suite 100 West Palm Beach, FL 33409 TITLE: <b>SMP SHORT, FEMALE</b>	
FINISH: SEE NOTES	DECIMAL: .X $\pm 0.030$ .XX $\pm 0.010$ .XXX $\pm 0.005$			
SURFACE AREA: N/A	INTERPRET DIMENSIONS AND TOLERANCES PER ASME Y14.5M - 1994		DRAWN: JMC 05/14/09	
<b>PROPRIETARY</b> THE INFORMATION CONTAINED IN THIS DRAWING IS THE SOLE PROPERTY OF SV MICROWAVE, INC. ANY REPRODUCTION IN PART OR AS A WHOLE WITHOUT THE WRITTEN PERMISSION OF SV MICROWAVE, INC IS PROHIBITED.		THIRD ANGLE PROJECTION	CHECKED: PS 05/14/09	
			APPROVED: PS 05/14/09	
		SIZE: <b>B</b>	CAGE CODE: <b>95077</b>	DWG. NO. <b>8012-4008</b>
		SCALE: 10:1	SHEET 1 OF 1	