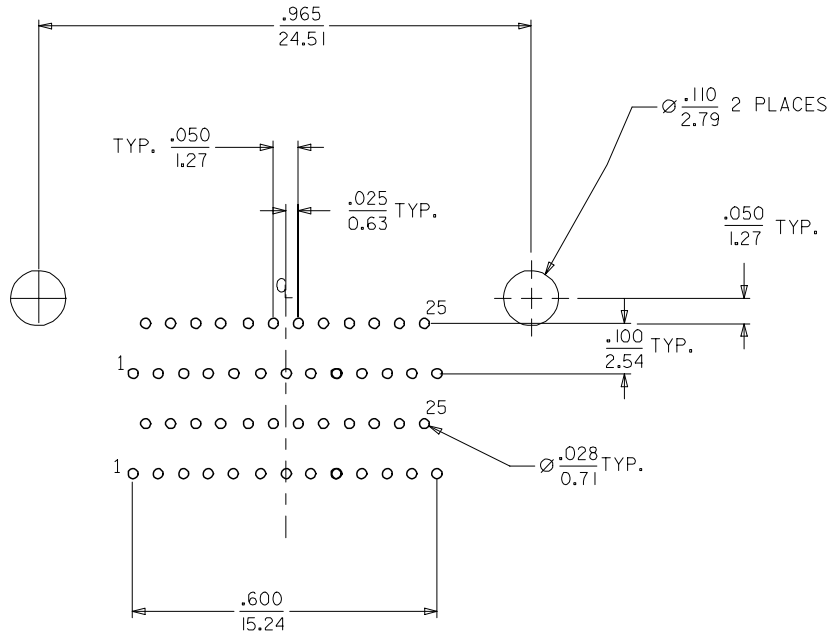


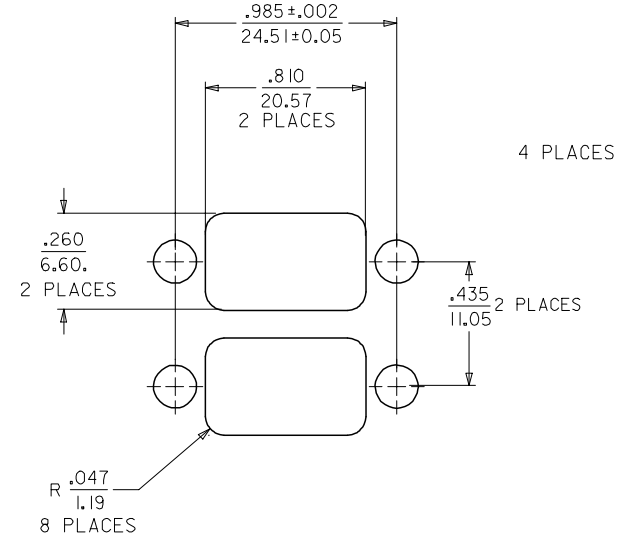
SALES DRAWING

- 1. MARKING: NONE
 - 2. SEE SHEET 2 FOR PCB LAYOUT AND PANEL CUT-OUT DIMENSIONS.
 - 3. PART IS RoHS COMPLIANT
- NOTES: UNLESS OTHERWISE SPECIFIED.

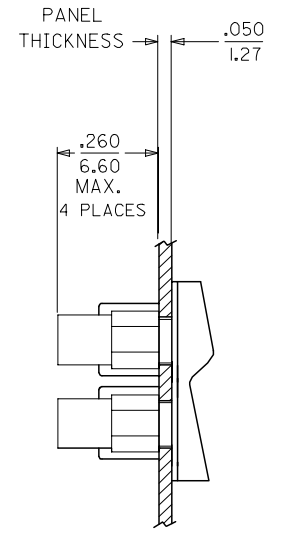
RELEASE TO PROD EC NO: ETC2006-0391 DRWN: JLOMASTRO 2006/04/17 CHKD: RDEROSS 2006/04/17 APPR: RDEROSS 2006/04/17	DESCRIPTION A	QUALITY SYMBOLS ▽=0 ▽=0	GENERAL TOLERANCES (UNLESS SPECIFIED)		DIMENSION STYLE IN/MM		SCALE NONE	DESIGN UNITS INCH	THIRD ANGLE PROJECTION
			4 PLACES ± --- ± ---	JLOMASTR	DATE	06/04/17	COMMERCIAL MICRO D DUAL STACK SIZE 25/50 WITHOUT JACKPOSTS		
			3 PLACES ± --- ± .010	CHECKED BY	DATE	06/04/17			
			2 PLACES ± 0.25 ± .01	RDEROSS	DATE	06/04/17	MOLEX INCORPORATED		
			1 PLACE ± 0.25 ± ---	APPROVED BY	DATE	06/04/17			
			ANGULAR ±1/2°	MATERIAL NO.	836199202		DOCUMENT NO.	SD-83619-013	
			DRAFT WHERE APPLICABLE MUST REMAIN WITHIN DIMENSIONS	SIZE B	THIS DRAWING CONTAINS INFORMATION THAT IS PROPRIETARY TO MOLEX INCORPORATED AND SHOULD NOT BE USED WITHOUT WRITTEN PERMISSION				
									SHEET NO. 1 OF 2



RECOMMENDED
P.C.B. LAY-OUT
SOLDER SIDE



RECOMMENDED
PANEL CUT-OUT



SALES DRAWING

RELEASE FOR PROD EC NO: ETC2006-0391 DRW: JLOMASTR 2006/04/17 CHK: RDEROSS 2006/04/22 APPR: RDEROSS 2006/04/25	QUALITY SYMBOLS ▽=0 ▽=0	GENERAL TOLERANCES (UNLESS SPECIFIED)		DIMENSION STYLE IN/MM		SCALE 1:1	DESIGN UNITS INCH	THIRD ANGLE PROJECTION	
			mm	INCH	DRAWN BY JLOMASTR	DATE 06/04/17	TITLE COMMERCIAL MICRO D DUAL STACK SIZE 25/50 WITHOUT JACKPOSTS		
		4 PLACES ± --- ± ---	3 PLACES ± --- ± .010	CHECKED BY RDEROSS	DATE 06/04/17				
		2 PLACES ± 0.25 ± .01	1 PLACE ± 0.25 ± ---	APPROVED BY RDEROSS	DATE 06/04/17	MATERIAL NO. 836199202			DOCUMENT NO. SD-83619-013
DRAFT WHERE APPLICABLE MUST REMAIN WITHIN DIMENSIONS		THIS DRAWING CONTAINS INFORMATION THAT IS PROPRIETARY TO MOLEX INCORPORATED AND SHOULD NOT BE USED WITHOUT WRITTEN PERMISSION							