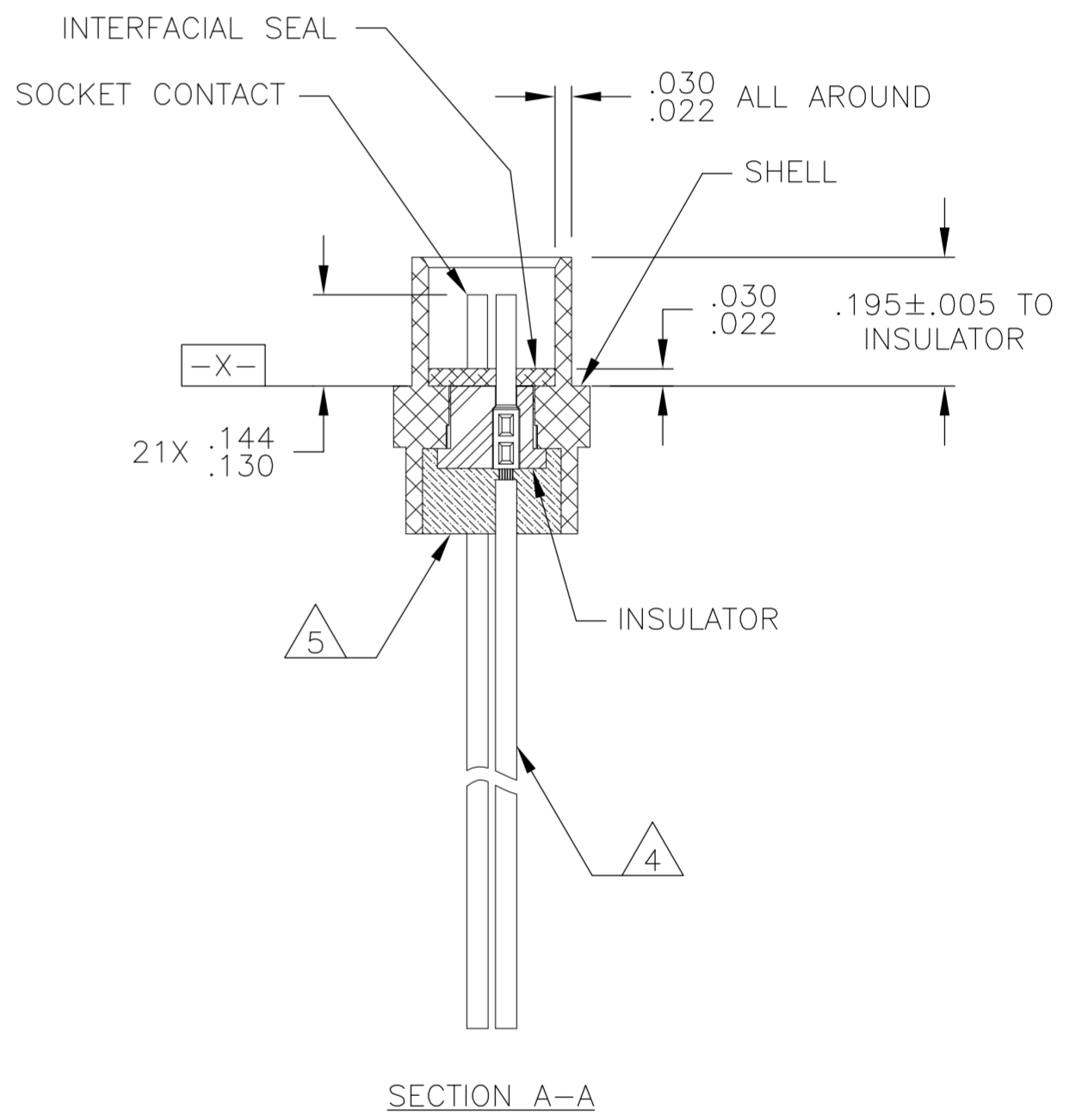


THIS DRAWING IS UNPUBLISHED. RELEASED FOR PUBLICATION  
 © COPYRIGHT BY TYCO ELECTRONICS CORPORATION. ALL INTERNATIONAL RIGHTS RESERVED.

LOC		DIST		REVISIONS			
P	LTR	DESCRIPTION		DATE	DWN	APVD	
	A	PRODUCTION RELEASE		03 SEP 08	BJR	MKS	



- 1 CONNECTOR SHALL BE MARKED IN ACCORDANCE WITH METHOD I OF MIL-STD-1285. MARKING SHALL CONTAIN THE MILITARY PIN, CAGE CODE (OR TE), AND DATE CODE. EXAMPLE: M83513/04-XXXX TE YYWW (WHERE XXXX IS PART OF THE PIN SHOWN IN THE "MIL-DTL-83513" COLUMN OF THE PART NUMBER TABLE, AND YYWW IS THE DATE CODE). FOR THE SIZE 21 RECEPTACLE, THE MARKING MUST BE PRINTED ON BOTH SIDES OF THE FLANGE. TEXT HEIGHT SHALL BE .035 INCH MINIMUM.
- 2 POSITION 1 SHALL BE INDICATED BY AN IDENTIFIABLE MARK, LOCATED APPROXIMATELY AS SHOWN ON THE POSITION 1 SIDE OF THE CONNECTOR FLANGE. THIS MARK SHALL BE INCLUDED AS PART OF THE PART MARKING INFORMATION.
- 3 LENGTH IS SHOWN IN THE "L DIM" COLUMN OF THE PART NUMBER TABLE. LENGTH TOLERANCE IS +1.0/-0.0 FOR INSULATED WIRE TERMINATIONS, AND +0.20/-0.00 FOR UNINSULATED WIRE TERMINATIONS
- 4 INSULATED WIRE IS SHOWN FOR REFERENCE ONLY. PART MAY BE TERMINATED WITH INSULATED OR UNINSULATED WIRE ACCORDING TO THE PART NUMBER TABLE.
- 5 EPOXY ENCAPSULATION. EPOXY MAY WICK .125 INCH MAX FOR INSULATED WIRE, AND .050 INCH MAX FOR UNINSULATED WIRE.
- 6 ALL DIMENSIONS AND REQUIREMENTS ARE PER MIL-DTL-83513/4

THIS DRAWING IS A CONTROLLED DOCUMENT.		DWN B. ROMANCHUK 03 SEP 08	Tyco Electronics Corporation Harrisburg, PA 17105-3608	
DIMENSIONS: INCHES		CHK -	NAME RECEPTACLE ASSEMBLY, MICRO-D PER MIL-DTL-83513/04, MCKS SERIES, 21 POSITION	
TOLERANCES UNLESS OTHERWISE SPECIFIED:		APVD M. STORRY 03 SEP 08	SIZE A2	CAGE CODE 98278
0 PLC ± -	1 PLC ± -	PRODUCT SPEC -	DRAWING NO C=1532173	RESTRICTED TO -
2 PLC ± .010	3 PLC ± .005	APPLICATION SPEC -	SCALE 4:1	SHEET 1 of 2
4 PLC ± -	ANGLES ± 1'	WEIGHT -	REV A	
MATERIAL SEE NOTES	FINISH -	CUSTOMER DRAWING		

THIS DRAWING IS UNPUBLISHED. RELEASED FOR PUBLICATION  
 © COPYRIGHT BY TYCO ELECTRONICS CORPORATION. ALL INTERNATIONAL RIGHTS RESERVED.

LOC		DIST		REVISIONS			
P	LTR	DESCRIPTION	DATE	DWN	APVD		
-	-	SEE SHEET 1	-	-	-		

TE PART NUMBER	L DIM	$\triangle 3$	$\triangle 1$	MCKS DESCRIPTION
		MIL-DTL-83513 PIN	MICRODOT P/N	
1532173-1	18	M83513/04-C01N	094-6326-0001	MCKS-N1-B-21S6G1-18.0
1532173-2	36	M83513/04-C02N	094-6326-0002	MCKS-N1-B-21S6G1-36.0
1532173-3	18	M83513/04-C03N	094-6326-0003	MCKS-N1-B-21S6G9-18.0
1532173-4	36	M83513/04-C04N	094-6326-0004	MCKS-N1-B-21S6G9-36.0
1532173-5	18	M83513/04-C09N	094-6326-0009	MCKS-N1-B-21S6Q1-18.0
1532173-6	36	M83513/04-C10N	094-6326-0010	MCKS-N1-B-21S6Q1-36.0
1532173-7	18	M83513/04-C11N	094-6326-0011	MCKS-N1-B-21S6Q9-18.0
1532173-8	36	M83513/04-C12N	094-6326-0012	MCKS-N1-B-21S6Q9-36.0
1532173-9	72	M83513/04-C13N	094-6326-0013	MCKS-N1-B-21S6G1-72.0
1-1532173-0	72	M83513/04-C14N	094-6326-0014	MCKS-N1-B-21S6G9-72.0
1-1532173-1	72	M83513/04-C15N	094-6326-0015	MCKS-N1-B-21S6Q1-72.0
1-1532173-2	72	M83513/04-C16N	094-6326-0016	MCKS-N1-B-21S6Q9-72.0
1-1532173-3	0.5	M83513/04-C05N	094-6326-0005	MCKS-N1-B-21S5L4-0.5
1-1532173-4	1.0	M83513/04-C06N	094-6326-0006	MCKS-N1-B-21S5L4-1.0
1-1532173-5	0.5	M83513/04-C07N	094-6326-0007	MCKS-N1-B-21S5L5-0.5
1-1532173-6	1.0	M83513/04-C08N	094-6326-0008	MCKS-N1-B-21S5L5-1.0
1-1532173-7	18	M83513/04-C01C	094-6336-0001	MCKS-C2-B-21S6G1-18.0
1-1532173-8	36	M83513/04-C02C	094-6336-0002	MCKS-C2-B-21S6G1-36.0
1-1532173-9	18	M83513/04-C03C	094-6336-0003	MCKS-C2-B-21S6G9-18.0
2-1532173-0	36	M83513/04-C04C	094-6336-0004	MCKS-C2-B-21S6G9-36.0
2-1532173-1	0.5	M83513/04-C05C	094-6336-0005	MCKS-C2-B-21S5L4-0.5
2-1532173-2	1.0	M83513/04-C06C	094-6336-0006	MCKS-C2-B-21S5L4-1.0
2-1532173-3	0.5	M83513/04-C07C	094-6336-0007	MCKS-C2-B-21S5L5-0.5
2-1532173-4	1.0	M83513/04-C08C	094-6336-0008	MCKS-C2-B-21S5L5-1.0
2-1532173-5	18	M83513/04-C09C	094-6336-0009	MCKS-C2-B-21S6Q1-18.0
2-1532173-6	36	M83513/04-C10C	094-6336-0010	MCKS-C2-B-21S6Q1-36.0
2-1532173-7	18	M83513/04-C11C	094-6336-0011	MCKS-C2-B-21S6Q9-18.0
2-1532173-8	36	M83513/04-C12C	094-6336-0012	MCKS-C2-B-21S6Q9-36.0
2-1532173-9	72	M83513/04-C13C	094-6336-0013	MCKS-C2-B-21S6G1-72.0
3-1532173-0	72	M83513/04-C14C	094-6336-0014	MCKS-C2-B-21S6G9-72.0
3-1532173-1	72	M83513/04-C15C	094-6336-0015	MCKS-C2-B-21S6Q1-72.0
3-1532173-2	72	M83513/04-C16C	094-6336-0016	MCKS-C2-B-21S6Q9-72.0

THIS DRAWING IS A CONTROLLED DOCUMENT.		DWN B. ROMANCHUK 03 SEP 08	Tyco Electronics Corporation Harrisburg, PA 17105-3608	
DIMENSIONS: INCHES	TOLERANCES UNLESS OTHERWISE SPECIFIED:	CHK -	APVD M. STORRY 03 SEP 08	NAME RECEPTACLE ASSEMBLY, MICRO-D PER MIL-DTL-83513/04, MCKS SERIES, 21 POSITION
	0 PLC ± - 1 PLC ± - 2 PLC ± - 3 PLC ± - 4 PLC ± - ANGLES ± -	PRODUCT SPEC -	APPLICATION SPEC -	RESTRICTED TO -
MATERIAL -	FINISH -	WEIGHT -	SIZE A2	CAGE CODE 98278
CUSTOMER DRAWING		SCALE 4:1	DRAWING NO 1532173	SHEET 2 of 2

1532173