

DIO2674

Four-Channel, 6th-Order SD and 1080p HD Video Filter

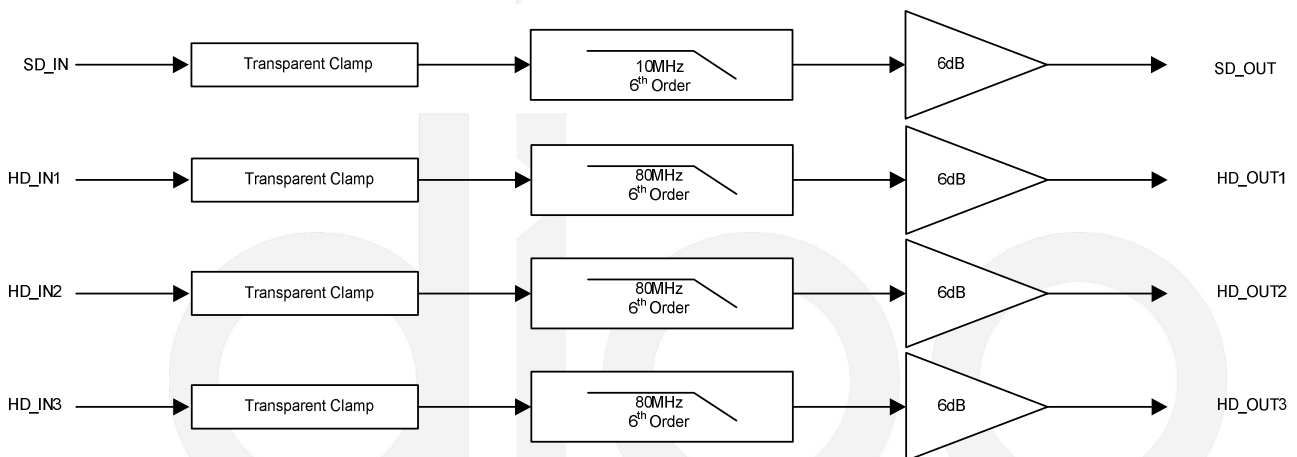
Features

- One SD channel with 6th-order, 10MHz filter
- Three HD channels with 6th-order, 80MHz filter
- Transparent Input Clamping
- Fixed 6dB Gain
- AC or DC Coupled Inputs
- AC or DC Coupled Outputs
- Operates from 3.135V to 5.25V
- Single Power Supply
- RoHS or Green TSSOP-14 Package
- 6500V ESD protection

Applications

- DVD Players
- Video Amplifiers
- Cable set-top boxes
- Personal Video Recorders
- Communications Devices
- Video on Demand

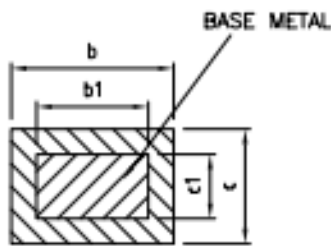
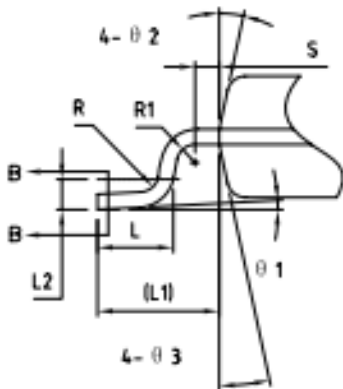
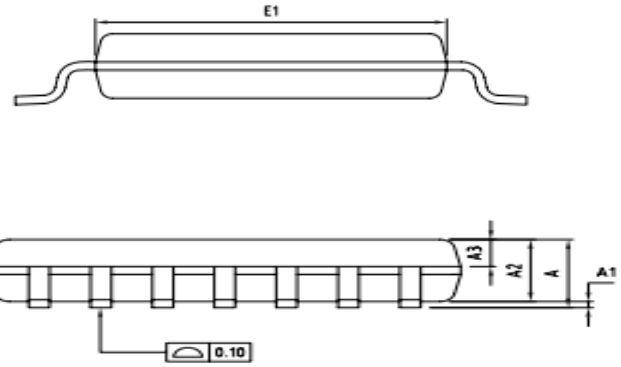
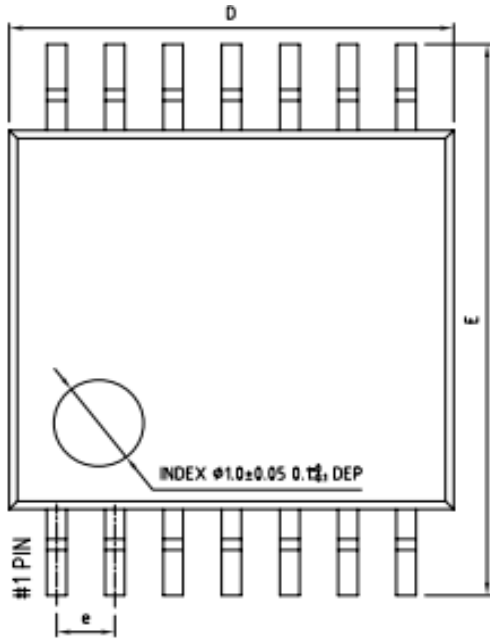
Block Diagram



Ordering Information

Order Part Number	Top Marking		T _A	Package	
DIO2674CT14	DIO2674	Green	-40 to +85°C	TSSOP-14	Tape & Reel, 2500

Physical Dimensions: TSSOP-14



SECTION B-B

Symbol	Dimensions In Millimeters		
	Min	Nom	Max
A	-	-	1.20
A1	0.05	-	0.15
A2	0.90	1.00	1.05
A3	0.34	0.44	0.54
b	0.20	-	0.28
b1	0.20	0.22	0.24
c	0.10	-	0.19
c1	0.10	0.13	0.15
D	4.86	4.96	5.06
E	6.20	6.40	6.60
E1	4.30	4.40	4.50
e	0.65BSC		
L	0.45	0.60	0.75
L1	1.00REF		
L2	0.25BSC		
R	0.09	-	-
R1	0.09	-	-
S	0.20	-	-
ø1	0°	-	8°
ø2	10°	12°	14°
ø3	10°	12°	14°



DIO2674

CONTACT US

Dioo is a professional design and sales corporation for high-quality and performance analog semiconductors. The company focuses on industry markets, such as, cell phone, handheld products, laptop, and medical equipments and so on. Dioo's product families include analog signal processing and amplifying, LED drivers and charger IC. Go to <http://www.dioo.com> for a complete list of Dioo product families.

For additional product information, or full datasheet, please contact with our Sales Department or Representatives.

Four-Channel, 6th-Order SD and 1080p HD Video Filter

