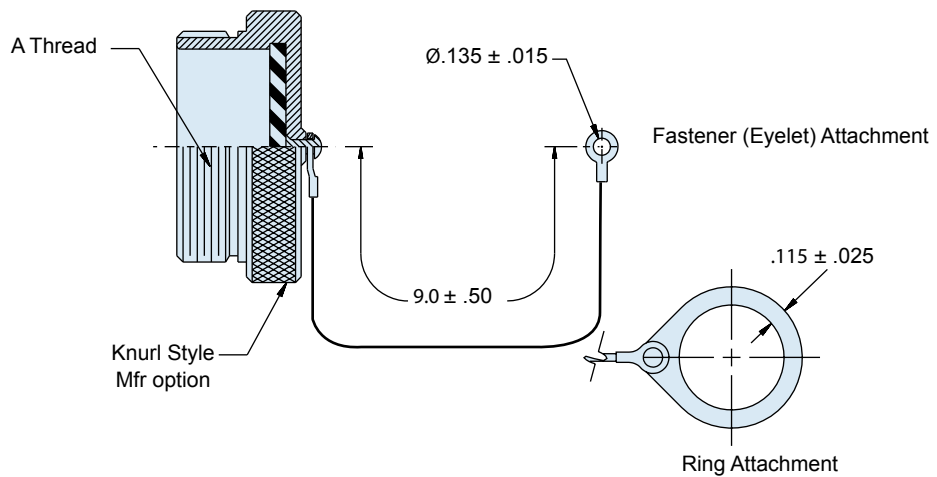




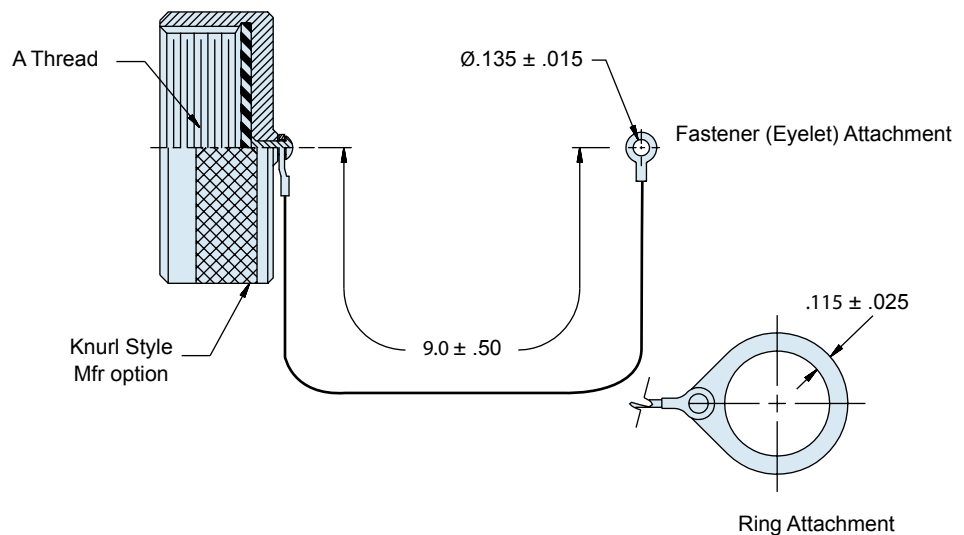
Plug and receptacle dust covers

| Table I: Cover Type | | |
|---------------------|-----------------------|---------------------------------|
| Connector | MIL-Spec Basic P/N | Glenair Commercial Basic P/N |
| Plug | M28876/10 | 660-072 |
| Receptacle | M28876/15 | 660-073 |

M28876/10 • 660-072 Plug Cover



M28876/15 • 660-073 Receptacle Cover



M28876/10 and M28876/15
660-072 and 660-073
MIL-PRF-28876 Dust Covers



How to order: Military QPL

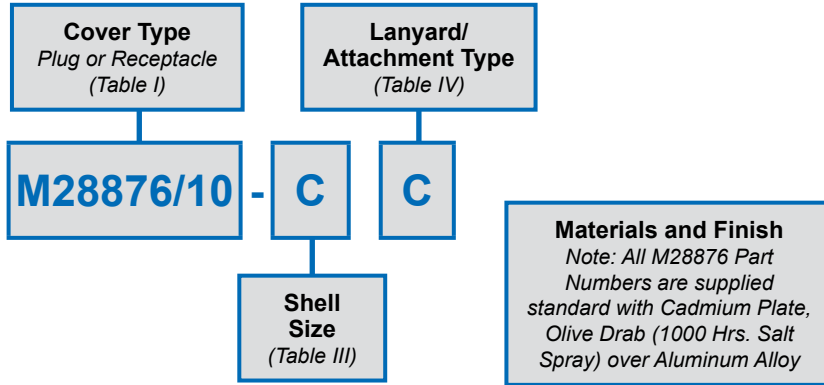


Table II: Material and Finish (Commercial)

| Code | Material | Finish Description |
|--|----------------|---------------------|
| M | Aluminum Alloy | Electroless Nickel |
| NF | | Cadmium, Olive Drab |
| MT | | Nickel-PTFE, Grey |
| ZR | | Zinc-Nickel, Black |
| Consult Factory for Additional Options | | |

Refer to Appendix for material/finish details

*MT plating available only with Glenair commercial equivalent part numbers

Table III: Shell Size

| Symbol | A Thread |
|--------|----------------------|
| A | .750-0.1P-0.2L-D.S. |
| B | .875-0.1P-0.2L-D.S. |
| C | 1.062-0.1P-0.2L-D.S. |
| F | 1.500-0.1P-0.2L-D.S. |

How To Order: Glenair Commercial

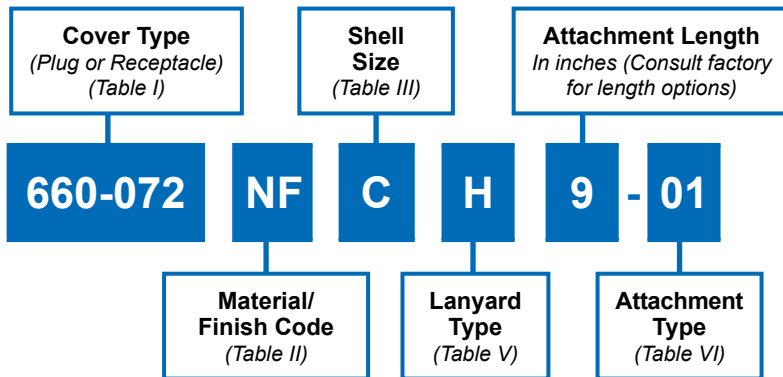


Table IV: Lanyard/Attachment (MIL-Spec)

| Symbol | Description |
|--------|--|
| A | Chain (Sash) with Fastener (Eyelet) Attachment |
| B | Chain (Sash) with Ring Attachment |
| C | Wire Rope with Fastener (Eyelet) Attachment |
| D | Wire Rope with Ring Attachment |
| E | Without Chain (Sash) or Wire Rope |

Table VI: Attachment Type (Commercial)

| Shell Size | Attachment Type | Connector Type | Code |
|------------|-------------------|----------------|------|
| A | Ring | Plug | 13 |
| | | Recp | 15 |
| B | Ring | Plug | 15 |
| | | Recp | 17 |
| C | Ring | Plug | 17 |
| | | Recp | 20 |
| D | Ring | Plug | 23 |
| | | Recp | 27 |
| All | Fastener (Eyelet) | All | 01 |

Table V: Lanyard Type (Commercial)

| Symbol | Type |
|--|--------------------------|
| H | Wire Rope, Coated |
| S | Chain (Sash), Passivated |
| N | No Lanyard |
| Consult Factory for Additional Options | |