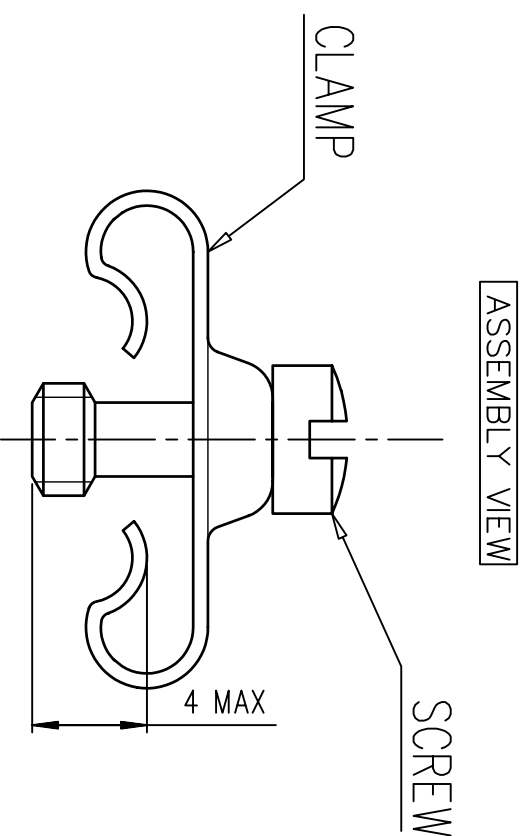
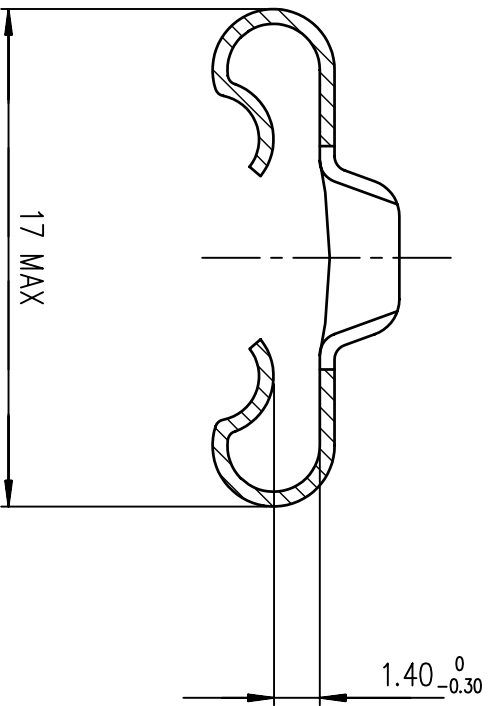
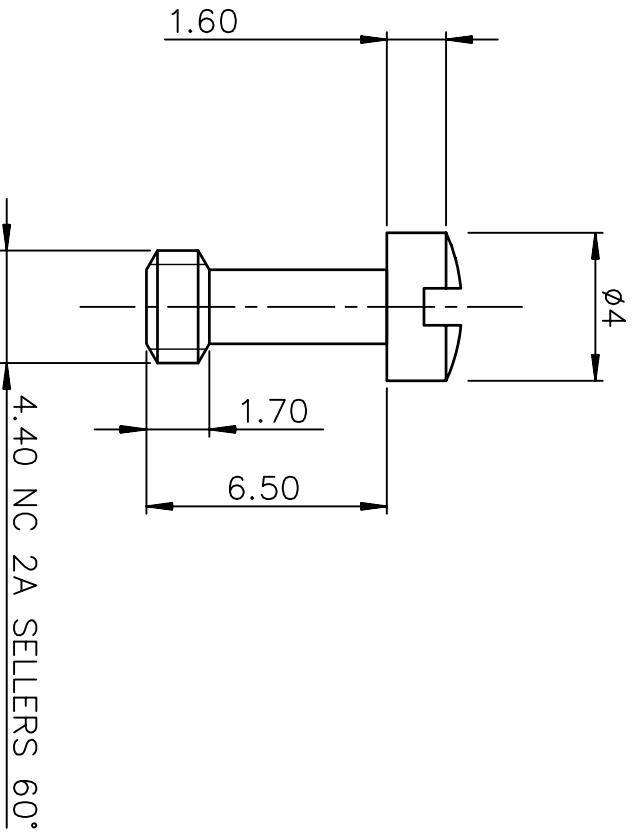


NOTES
 Pieces assembly
 Packaging : per 100 pieces
 Material : steel
 Plating : cadmium plating
 Thread : UNC 4.40



rev	ecn no	dr	date
A	-	SJO	2001/07/25
B	LS06-0101	MPE	2006/06/27
C	LS07-0001	MPE	2007/01/02
D	LS09-0006	PCR	2009/01/08
E	I11-0022	AMR	2011/01/25
F	ELX-H-016863	PK	2012/05/09
G	ELX-H-016866	PK	2012/05/21

Part Number	863015A
-------------	---------

www.fciconnect.com		surface	ISO 1302	tolerance std	ISO 406 ISO 1101	projection	mm
Dr	JOUBERT	ANGULAR	TOLERANCES UNLESS OTHERWISE SPECIFIED	±0.1	±0.1	A3	Scale 5
Eng	M.PESSON	LINEAR		0.X	0.XX		
Chr	ABHILASH	0.XX ±2		0.XXX	±0.1		
Appr	SUDHIR	Product family	D-SUB		Spec ref		

FCI
 MALE SCREW LOCKS
 SHELL 50 D SUB ACCESSORIES
 Catalog no: -
 Customer: CUSTOMER
 sheet 1 of 1
 Rev. G
 C01-8655-1552