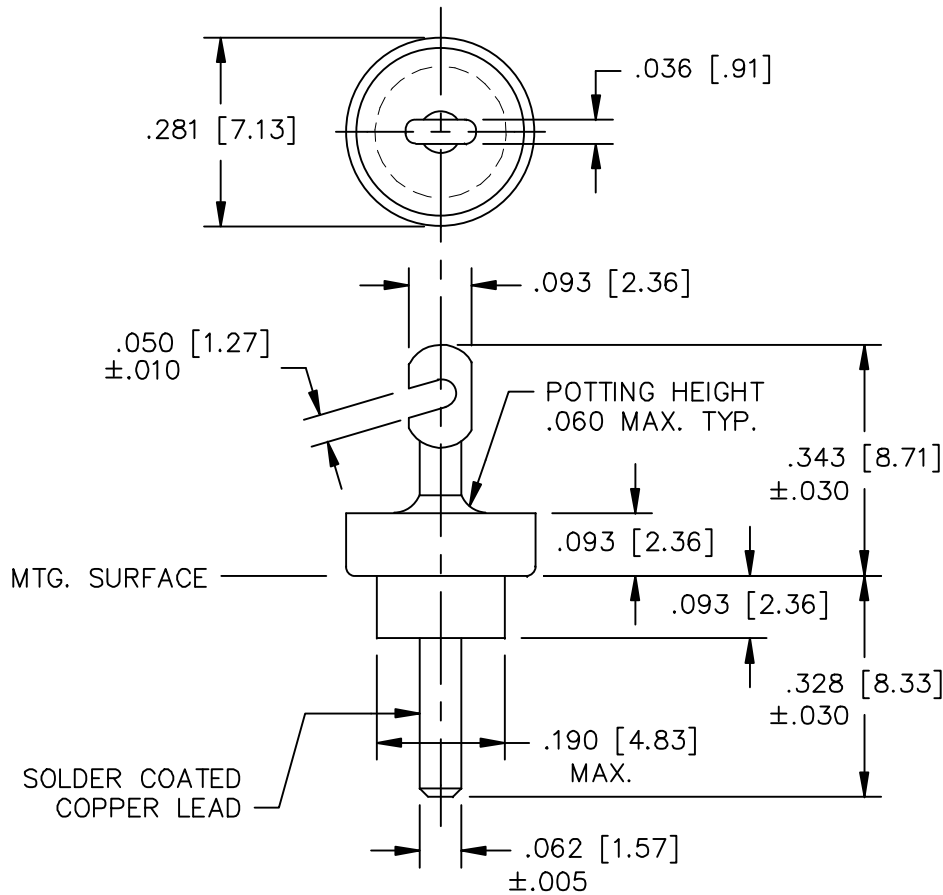


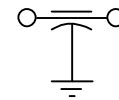
NOTES:

1. SUGGESTED MOUNTING HOLE = $\phi.191$ [4.86]
2. PRE FLATTEN/NOTCH DIMENSIONS
TOP: $.323 \pm .010$
3. SUPPLY PREFORM AS HARDWARE.




| | |
|---|------------------------------------|
| LEAD FINISH: SOLDER | |
| BUSHING FINISH: SILVER | |
| CAPACITANCE | 1000pF +100/-0% |
| TEMP. RANGE | -55°C TO 125°C |
| CURRENT | 25 AMP MAX. |
| WORKING VOLTAGE | 85°C VDC MAX. 125°C 500VDC MAX. |
| D.C. RESISTANCE | .01ohms MAX. |
| MIN. I.L. PER MIL-STD-220 AT 25°C NO LOAD | |
| FREQ. MHz | I.L. (db) |
| 1 | N/A |
| 10 | N/A |
| 100 | N/A |
| 1 GHz | N/A |
| 10 GHz | N/A |

SCHEMATIC



MARKING:

PART: NONE
 BAG:
 54F-794-035
 DATE CODE
 QTY./BAG (200 MAX.)

| | | | | | | |
|--|---------------|---------------|---------------|---------------|---------------------------------------|---|
| | 02 | 01 | 00 | REV. NO. | TOLERANCES UNLESS OTHERWISE SPECIFIED |  FAIRVIEW PENNSYLVANIA SPECTRUM CONTROL INC. |
| | CN. 56454-ENG | CN. 37800-ENG | CN. 34636-CPD | CHANGE NOTICE | Fractions $\pm 1/64$ | |
| | | | | | Dec. $.xx \pm$ | Date 10-27-10 |
| | | | | | Dec. $.xxx \pm .015$ | Engr. S. PETERS |
| | | | | | Angles $\pm 0^\circ 30'$ | Scale NONE |
| | | | | | CODE IDENT. NO. DLSP2 | Description FT CERAMIC FILTER |
| | | | | | | 54F-794-035 |