

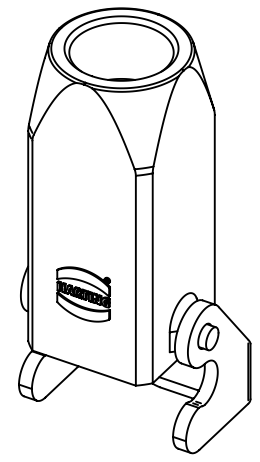
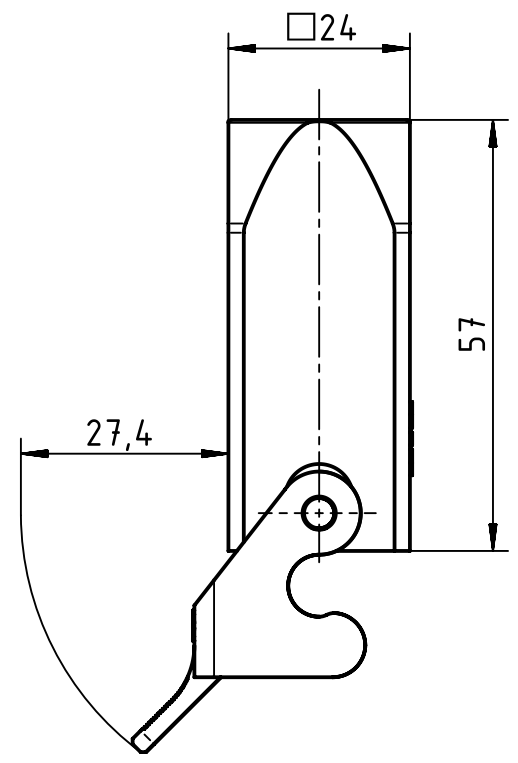
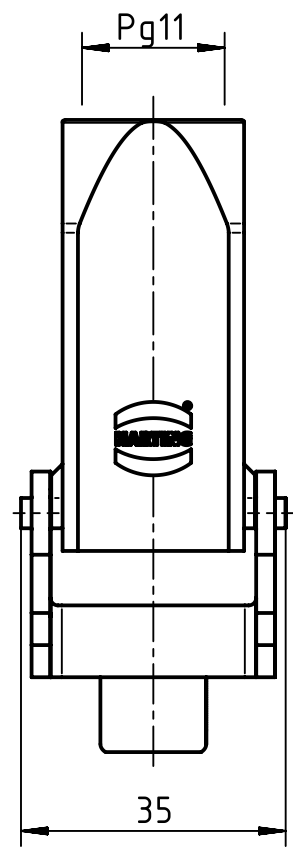
1 2 3 4 5 6

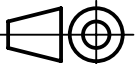
A

B

C

D



	All rights reserved Department EL PD - DE	All Dimensions in mm Original Size DIN A4		Scale 1:1	Free size tol.	Ref.	
		Created by SERBANA	Inspected by PRIESTER	Standardisation TIEMANNA	Date 2018-02-05	State Final Release	Sub.
HARTING Electric GmbH & Co. KG D-32339 Espelkamp		Title Han 3A-HCC/P-DL-1Pg11-grey				Doc-Key / ECM-Nr. 100197911/UGD/004/A 500000129280	
		Type TB	Number 09 20 003 0720			Rev. A	Page 1/1

Mouser Electronics

Authorized Distributor

Click to View Pricing, Inventory, Delivery & Lifecycle Information:

[HARTING:](#)

[09200030720](#)