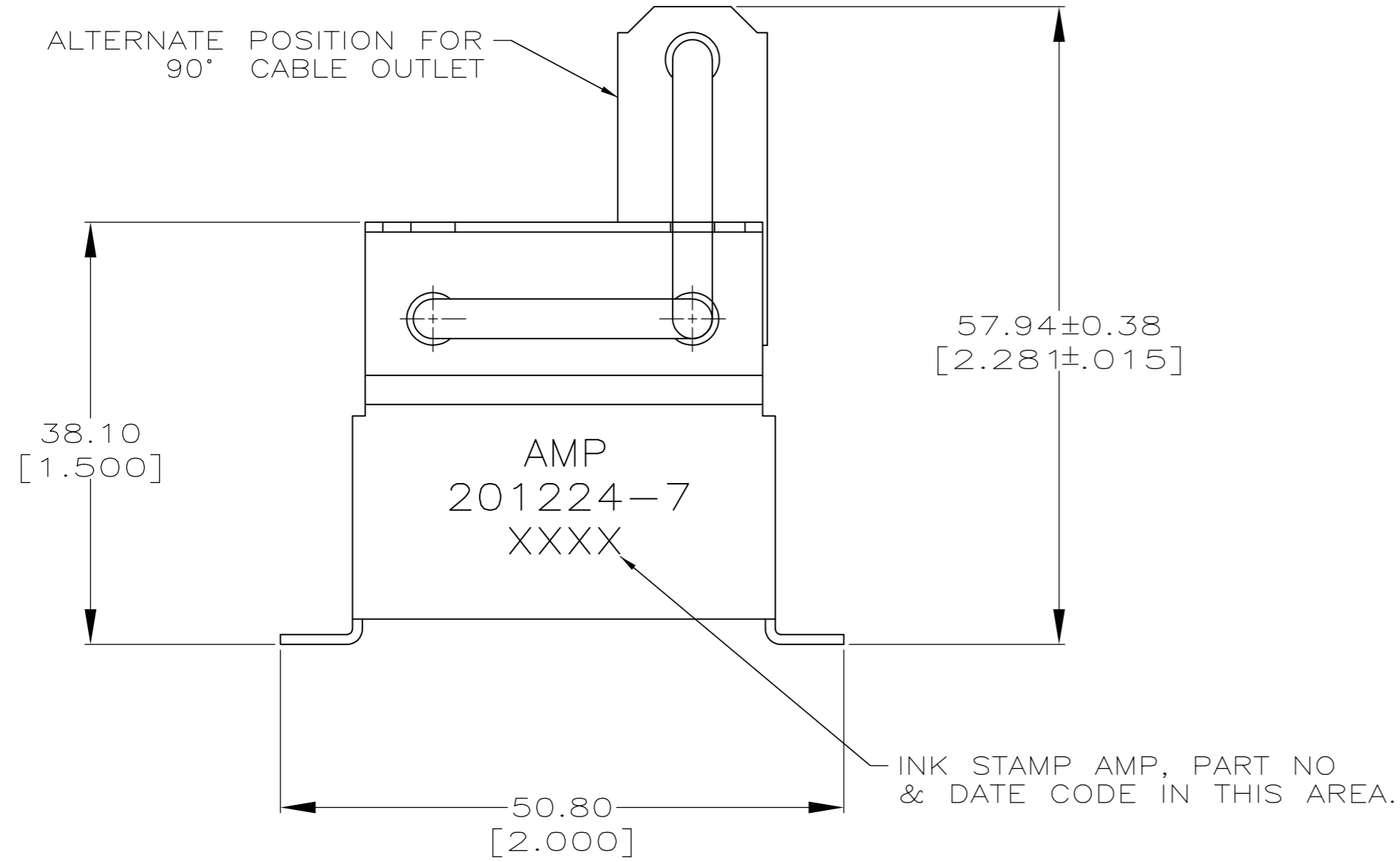
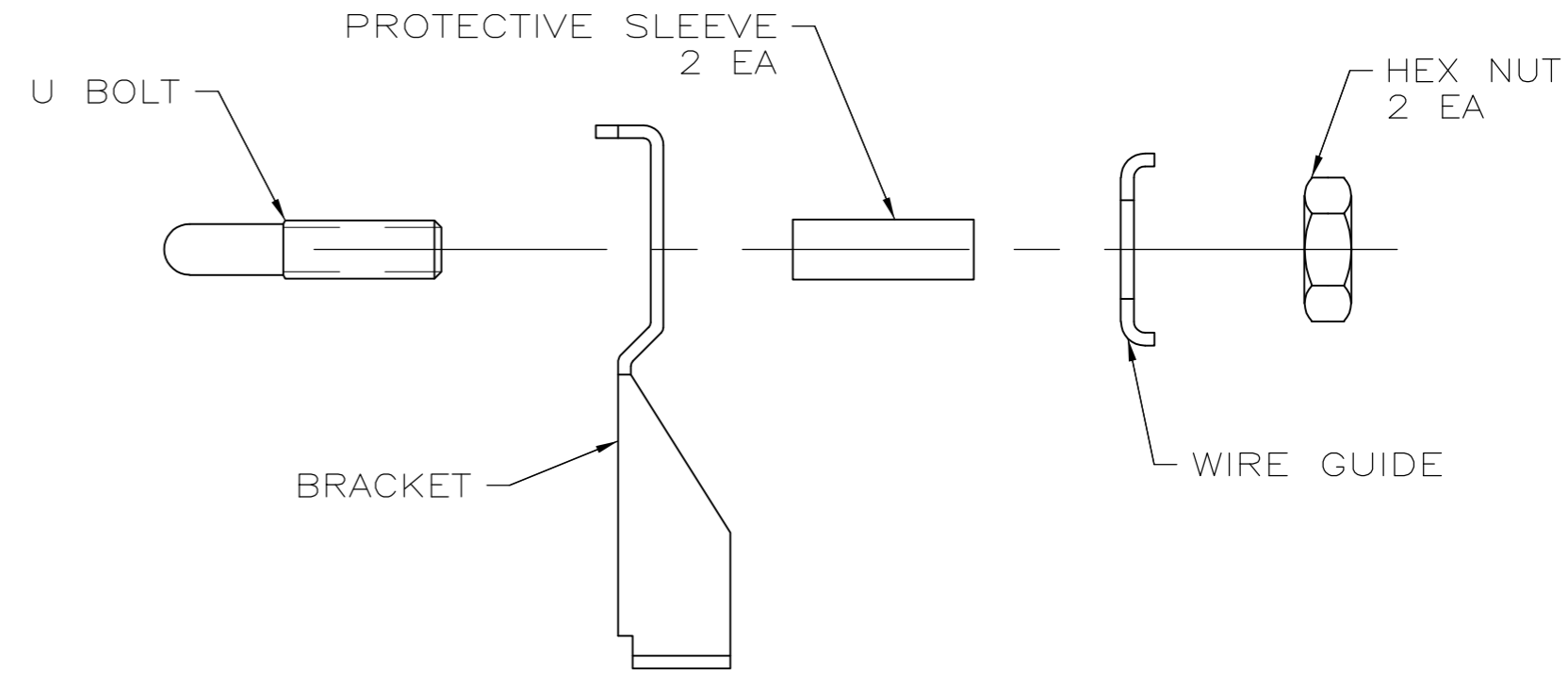
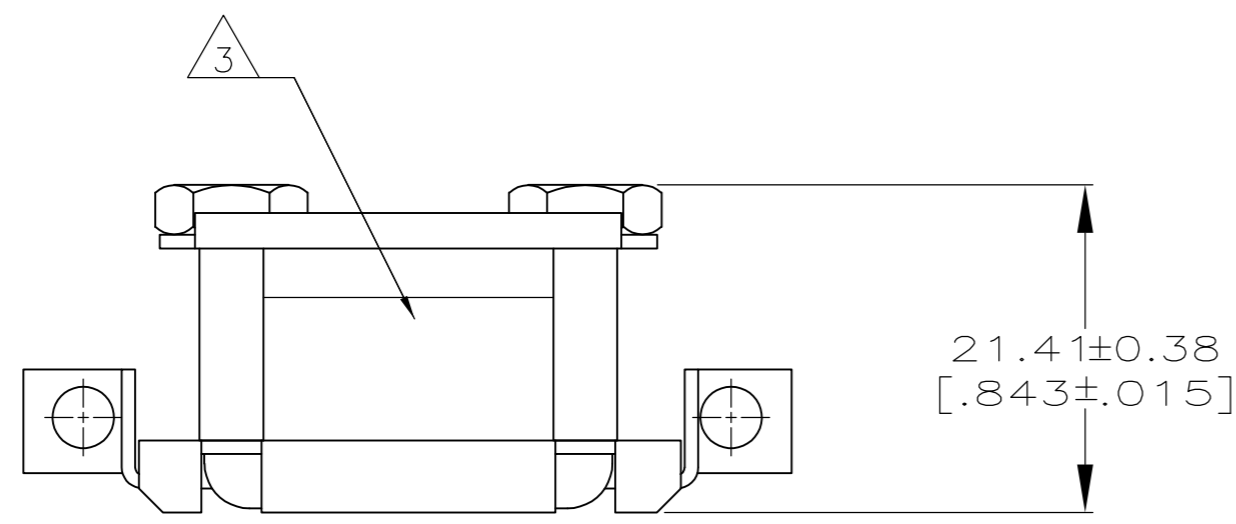


THIS DRAWING IS UNPUBLISHED. RELEASED FOR PUBLICATION  
 © COPYRIGHT BY TYCO ELECTRONICS CORPORATION. ALL INTERNATIONAL RIGHTS RESERVED.

| LOC | DIST | REVISIONS |     |                           |         |     |      |
|-----|------|-----------|-----|---------------------------|---------|-----|------|
| FT  | 0    | P         | LTR | DESCRIPTION               | DATE    | DWN | APVD |
|     |      | V         |     | REVISED PER ECO-10-021995 | 12JAN11 | HMR | MC   |



- 1 BRACKET: STAINLESS STEEL PER QQ-S-766.  
U BOLT: STAINLESS STEEL PER ASTM-A-582.  
WIRE GUIDE & HEX NUT: CARBON STEEL.  
PROTECTIVE SLEEVE: POLYVINYL CHLORIDE.
- 2 U BOLT: PASSIVATED.  
WIRE GUIDE: 5.08um[.000200] MIN NICKEL PLATE.  
HEX NUT: ZINC PLATED PER ASTM-B-633.
- 3 MAX CLAMP AREA = 225.81 SQ mm [.350 SQ IN]

|                        |          |
|------------------------|----------|
| SUPERSEDED BY 201224-7 | 201224-7 |
|                        | 201224-1 |
| PART NUMBER            |          |

|   |             |                                   |  |                    |
|---|-------------|-----------------------------------|--|--------------------|
| THIS DRAWING IS A CONTROLLED DOCUMENT.  |             | DWN<br>C.REIFSNYDER<br>06 SEP 95  | Tyco Electronics Corporation<br>Harrisburg, PA 17105-3608                                      |                    |
| DIMENSIONS:<br>mm [INCHES]  |             | CHK<br>R.STONE<br>15 SEP 95       | NAME<br>CLAMP KIT, UNASSEMBLED, 34<br>PLACE, MINIATURE RECTANGULAR,<br>STRAIN RELIEF, M SERIES |                    |
| TOLERANCES UNLESS OTHERWISE SPECIFIED:  |             | APVD<br>G.STEINHAUER<br>03 OCT 95 | SIZE<br>A2   | CAGE CODE<br>00779 |
| 0 PLC ± -<br>1 PLC ± -<br>2 PLC ± 0.13 [.005]<br>3 PLC ± -<br>4 PLC ± -<br>ANGLES ± - |             | PRODUCT SPEC<br>APPLICATION SPEC  | DRAWING NO<br>C=201224   | RESTRICTED TO<br>- |
| MATERIAL<br>-   | FINISH<br>- | WEIGHT<br>-                       | SCALE<br>2:1   | SHEET<br>1 OF 1    |
| CUSTOMER DRAWING  |             |                                   | REV<br>V   |                    |

201224