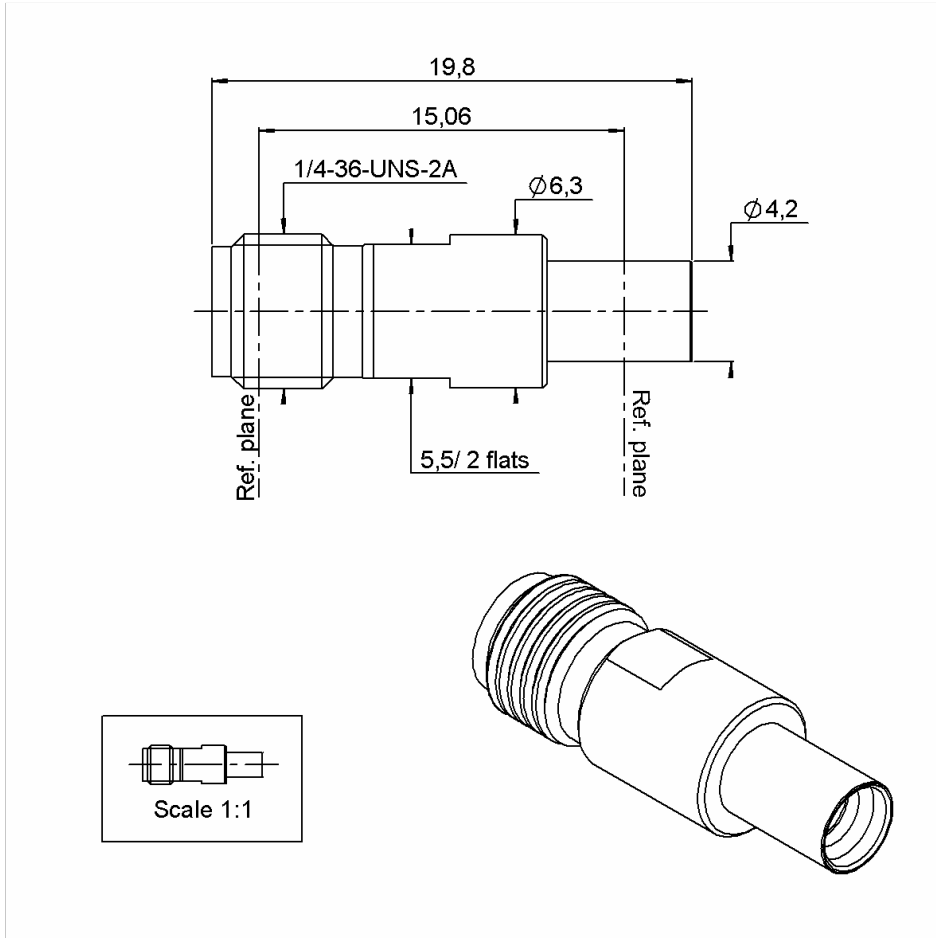


SMA 2.9 FEMALE - SMP MALE FULL DETENT

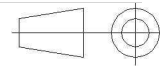
R191.968.001

STRAIGHT ADAPTER - PACK. 100

Série : ADAPT



All dimensions are in mm.



COMPONENTS	MATERIALS	PLATINGS (µm)
BODY	-	PASSIVATED
CENTER CONTACT	BERYLLIUM COPPER	GOLD 1.27 OVER NICKEL 1.27
OUTER CONTACT	BRASS	GOLD 0.2 OVER NICKEL 2
INSULATOR	PTFE+KAPTON	
GASKET	-	-
OTHERS PARTS	-	-
-	-	-
-	-	-

Issue : 1026 B

In the effort to improve our products, we reserve the rights to make changes judged to be necessary.



SMA 2.9 FEMALE - SMP MALE FULL DETENT

R191.968.001

STRAIGHT ADAPTER - PACK. 100

Série : ADAPT

PACKAGING

SPECIFICATION

Standard	Unit	Other
100	'W' option	Contact us

ELECTRICAL CHARACTERISTICS

ENVIRONMENTAL

Impedance	50	Ω
Frequency	0-40	GHz
VSWR	1.40 + 0,0000	x F(GHz) Maxi
Insertion loss	0.1	\sqrt{F} (GHz) dB Maxi
RF leakage	- (NA)	- F(GHz)) dB Maxi
Voltage rating	335	Veff Maxi
Dielectric withstanding voltage	500	Veff mini
Insulation resistance	5000	M Ω mini

Operating	-65/+165	$^{\circ}$ C
Hermetic seal	NA	Atm.cm3/s
Panel leakage	NA	

MECHANICAL CHARACTERISTICS

OTHERS CHARACTERISTICS

Center contact retention		
Axial force – Mating end	27	N mini
Axial force – Opposite end	27	N mini
Torque	NA	N.cm mini
Recommended torque		
Mating	SMA2.9	0 N.cm
	SMP	0 N.cm
	-	0 N.cm
Panel nut	NA	N.cm
Mating life	100	Cycles mini
Weight	2,7000	g

Issue : 1026 B

In the effort to improve our products, we reserve the rights to make changes judged to be necessary.

