

Electronic housing - EG 22,5-AE/ABS BK - 2709419

Please be informed that the data shown in this PDF Document is generated from our Online Catalog. Please find the complete data in the user's documentation. Our General Terms of Use for Downloads are valid (<http://phoenixcontact.com/download>)



Housing cover, for connection on one side

The figure shows the fully mounted version of the electronic housing, in green



Key Commercial Data

Packing unit	25 pc
GTIN	
GTIN	4017918857943

Technical data

General

Housing type	Component housing
Housing material	ABS
Color (RAL)	black (9005)

Ambient conditions

Ambient temperature (operation)	80 °C
---------------------------------	-------

Dimensions

Length	75 mm
Width	22.5 mm

Technical data

Number of positions	8
---------------------	---

Standards and Regulations

Flammability rating according to UL 94	HB
--	----

Environmental Product Compliance

Electronic housing - EG 22,5-AE/ABS BK - 2709419

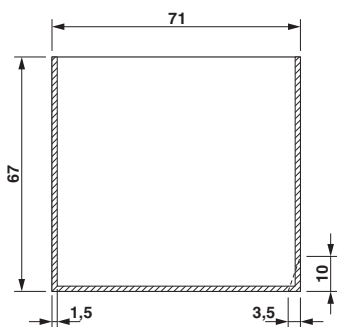
Technical data

Environmental Product Compliance

China RoHS	Environmentally friendly use period: unlimited = EFUP-e
	No hazardous substances above threshold values

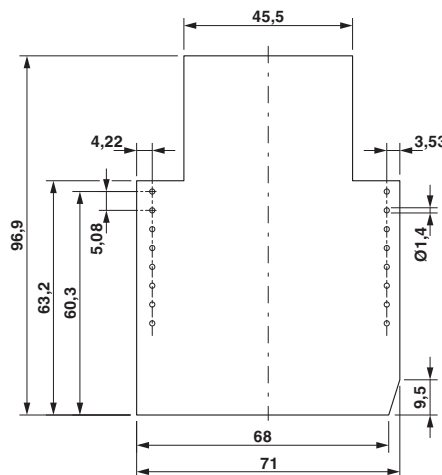
Drawings

Dimensional drawing



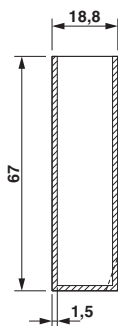
valid for PCB 7, see explosion drawing

Dimensional drawing



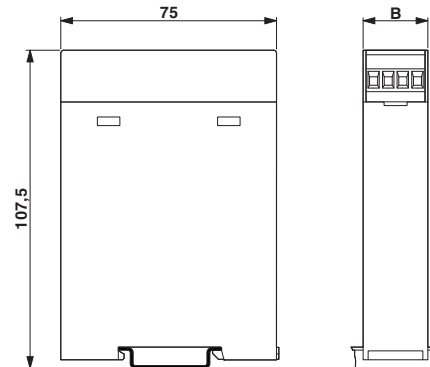
Component mounting side, if the double-level upper part is used

Dimensional drawing



valid for PCB 1, see explosion drawing

Dimensional drawing



Approvals

Approvals

Approvals

UL Recognized

Electronic housing - EG 22,5-AE/ABS BK - 2709419

Approvals

Ex Approvals

Approval details

UL Recognized



<http://database.ul.com/cgi-bin/XYV/template/LISEXT/1FRAME/index.htm>

FILE E 240868

Phoenix Contact 2018 © - all rights reserved
<http://www.phoenixcontact.com>

PHOENIX CONTACT GmbH & Co. KG
Flachsmarktstr. 8
32825 Blomberg
Germany
Tel. +49 5235 300
Fax +49 5235 3 41200
<http://www.phoenixcontact.com>