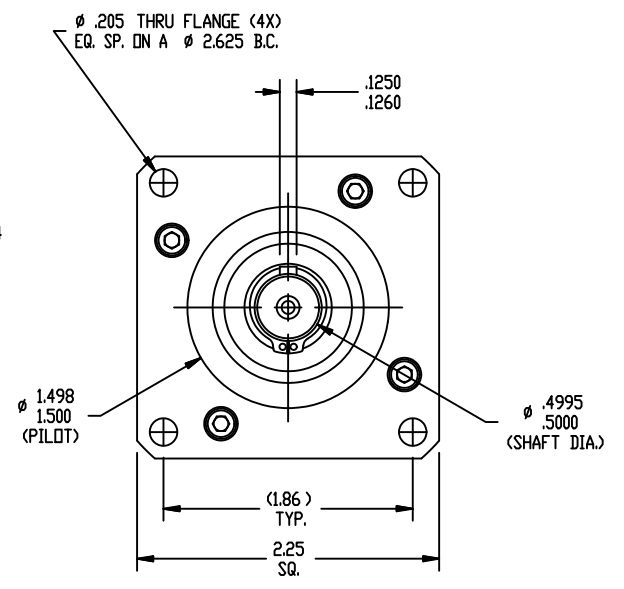
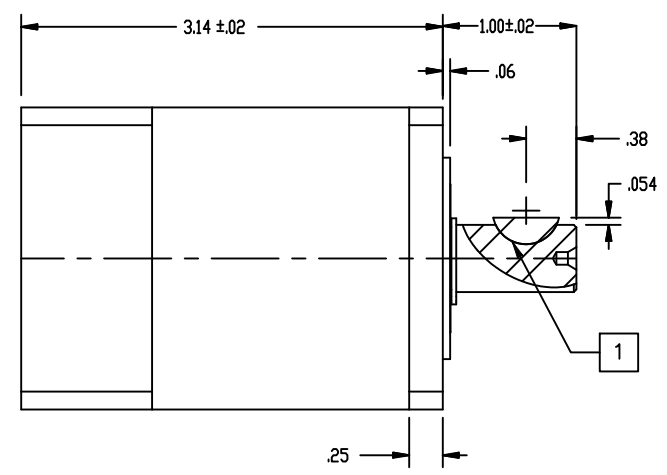
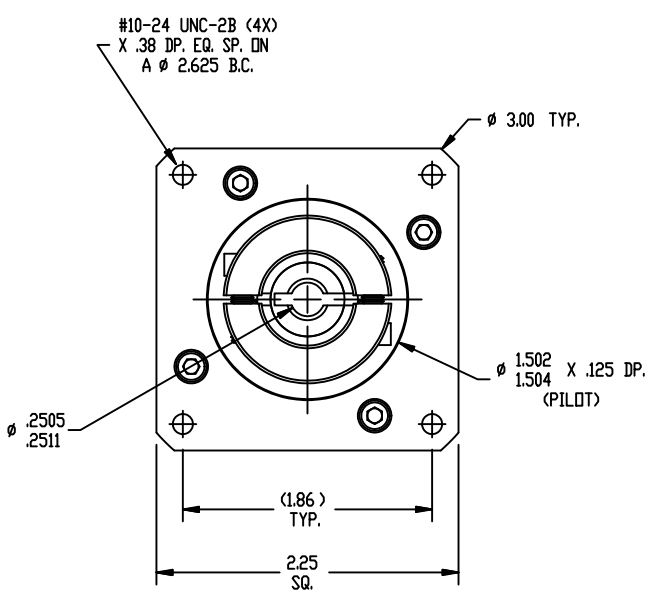


REVISIONS			
REV	DESCRIPTION	DATE	APPROVED
A	INITIAL RELEASE ECO 6709	2/22/13	J Kordik



NOTES: UNLESS OTHERWISE SPECIFIED

- 1 #404 WOODRUFF KEY.
- 2. 23VL015 RATIO- 15:1
- 3. FOR TECHNICAL DETAILS, CONTACT APPLIED MOTION PRODUCTS.

TOLERANCES DECIMALS: [MM] INCH X.XXX = \pm .005 X.XX = \pm [0.13] .010 X.X = \pm [0.25] .020 ANGLES: MACH. = \pm .5° CHAM. = \pm 5°	THIRD ANGLE PROJECTION 		APPLIED MOTION PRODUCTS, INC. OUTLINE, GEAR HEAD, VL23, 2 STAGE	
	APPROVALS DRAWN <i>R. JONEZ</i> CHECKED	DATE 2/22/13		
COMPUTER DATA BASE DRAWING	APPROVED	SCALE: FULL	SHEET 1 OF 1	