

### 30 and 40 W - 10 Nm - Right-angle gearbox 801410 SNI10 Part number 80141004



#### With or without integrated control electronics

- Output perpendicular to motor
- Ideal for short reduction ratios
- Ideal for very compact applications
- Silent operation
- Non-reversible movement at high ratios

#### Part numbers

|                 | Type         | With built-in electronic control | Without built-in control, with Hall effect sensors | Ratios (i) | Output speed (rpm) 24 V DC | Available torque (Nm) | Efficiency (%) |
|-----------------|--------------|----------------------------------|--|------------|----------------------------|-----------------------|----------------|
| <b>80141004</b> | 801410 SNI10 | SNI10                            | -  | 30         | 73                         | 1,8                   | -              |

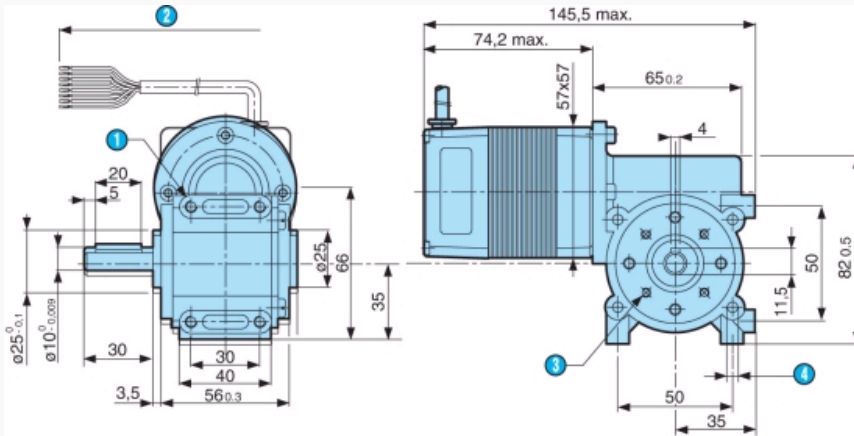
#### Specifications

##### General characteristics

|                                     |          |
|-------------------------------------|----------|
| Motor                               | 80140004 |
| Gearbox                             | 81041    |
| Nominal motor power at 24 V (W)     | 32       |
| Max. torque (Nm)                    | 10       |
| Axial load dynamic (N)              | 10       |
| Radial load dynamic (N)             | 15       |
| Temperature rise at 50 % cycle (°C) | 45       |
| Weight (g)                          | 1500     |
| Protection index                    | IP54     |

#### Dimensions (mm)

##### 801410 with SNI10



| N° | Legend   |
|----|--|
| 1  | 4 x M5 depth 8 mm (on rectangle 30x50)   |
| 2  | Length of cable 400 ± 10 mm  |
| 3  | 4 x M4 over Ø 36 depth 8 mm  |
| 4  | 4 x M5 over depth 8 mm (on rectangle 30x50)<br>The left-hand and right-hand sides of the gearbox are identical |

#### Precautions for use

The limits and precautions for use described in the 80140 brushless motor section must be observed.

#### Product adaptations



- Other powers (60 W - 95 W)
- Dimensions of gearbox shaft
- Without cable but with connector integrated in motor
- Cable length, with or without connector
- Other reduction ratios
- Mechanical holding brake