

# ULV8 SERIES ANTI-VANDAL SWITCH

ANTI-VANDAL SWITCHES  
 DETECTOR SWITCHES  
 DIP SWITCHES  
 KEYLOCK SWITCHES  
 NAVIGATION SWITCHES  
 PUSHBUTTON SWITCHES  
 ROCKER SWITCHES  
 ROTARY SWITCHES  
 SLIDE SWITCHES  
 SNAP ACTION SWITCHES  
 TACTILE SWITCHES  
 TOGGLE SWITCHES  
 CAP OPTIONS



## APPLICATIONS / MARKETS



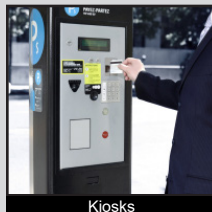
Audio / Visual



Security Devices



Industrial Controls



Kiosks



Electrical Housewares



Medical Equipment



RoHS

## SPECIFICATIONS

**Electrical Rating:** 3A, 125/250VAC  
**Mechanical Life:** 1,000,000 cycles (momentary); 500,000 cycles (latching)  
**Electrical Life:** 50,000 Cycles  
**Contact Resistance:** 50mΩ  
**Insulation Resistance:** 1000 MΩ @ 500VDC  
**Dielectric Strength:** 2,000VAC  
**Operating/Storage Temperature:** -20°C to 55°C  
**Travel:** 3.2mm  
**Moisture Protection:** IP67  
**Contact Arrangement:** SPDT or DPDT  
**Actuation Force:** Single Pole: 2.5N; Double Pole: 3.5N  
**Panel Thickness:** 1-10mm  
**Hex Nut Torque:** 5-14Nm  
**Mechanical Impact Protection:** IK08  
**Agency Approvals:** cURus

## FEATURES & BENEFITS

- 25mm diameter panel cutout
- Ring illumination
- Multiple switch functions available
- Multiple illumination voltage options
- IP67 rated
- SPDT or DPDT
- UL Certified
- Soldered wire leads (300mm long) optional

## PART NUMBER CONFIGURATOR

Series	Actuator	Terminal	Function	Body Finish	Actuator Finish	Contact Material	Lens Style	LED Color	Illumination Voltage
ULV8	F - Flat	2 - Solder W - Wire Leads 300mm long	3 - 1P ON-ON B - 1P ON-(ON)* G - 2P ON-ON H - 2P ON-(ON)*	S - Stainless Steel 1 - Black Anodized	S - Stainless Steel 1 - Black Anodized	None - Silver G - Gold	3 - Ring, moveable with actuator	0 - White 1 - Red 2 - Orange 3 - Green 4 - Blue 5 - Yellow G - Red / Green P - Green / Yellow	1 - 3V 3 - 6V 4 - 12V 5 - 24V 6 - 110V 7 - 220V

**NOTES:**

\*() denotes function is momentary

Specifications subject to change without notice 3.19.2019



E-SWITCH®

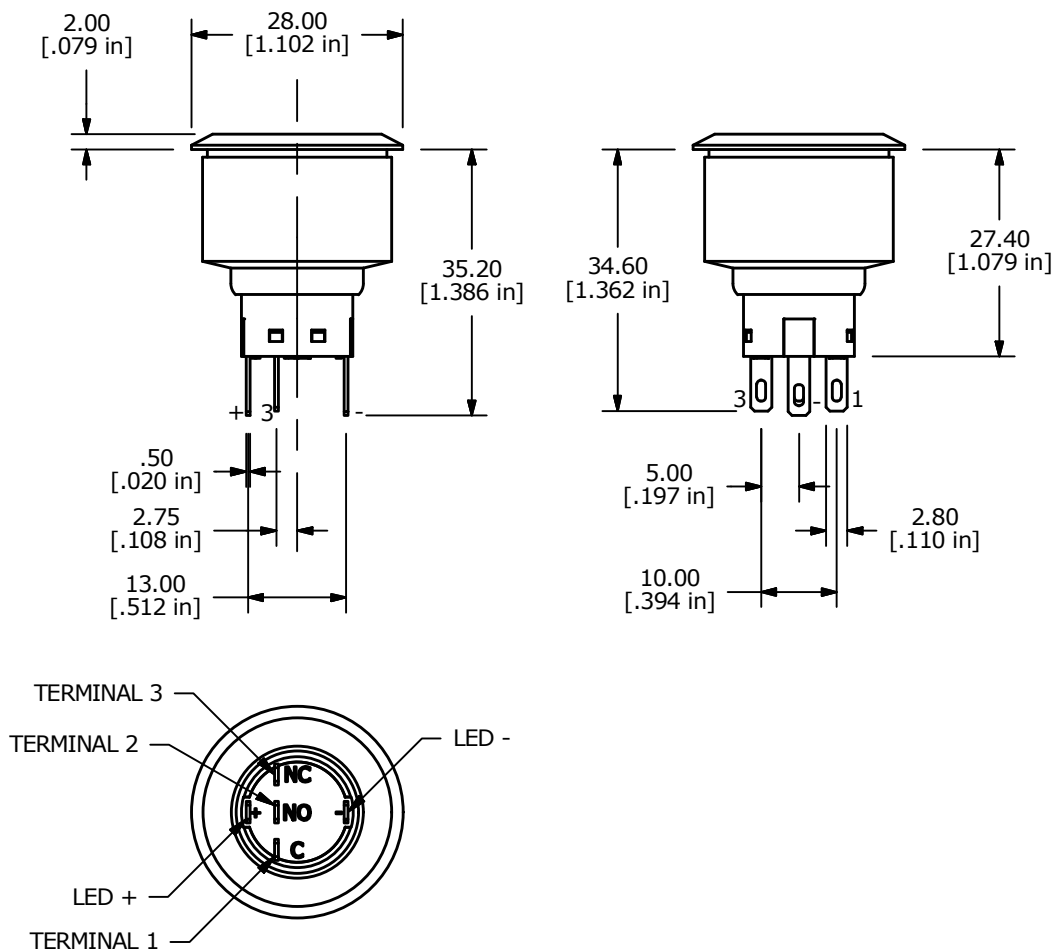
www.e-switch.com

800.867.2717

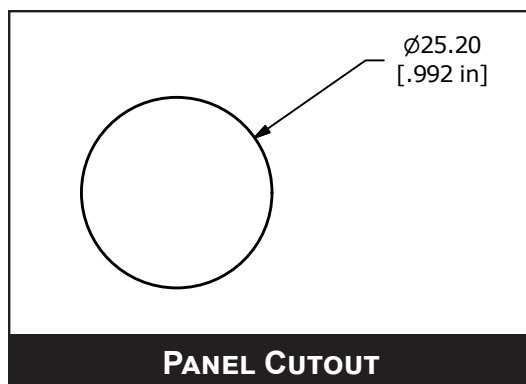
1

# ULV8 SERIES ANTI-VANDAL SWITCH

## BODY DIMENSIONS - SPDT

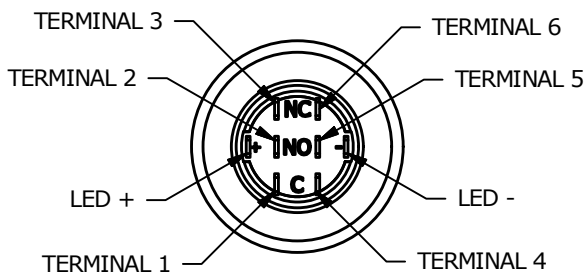
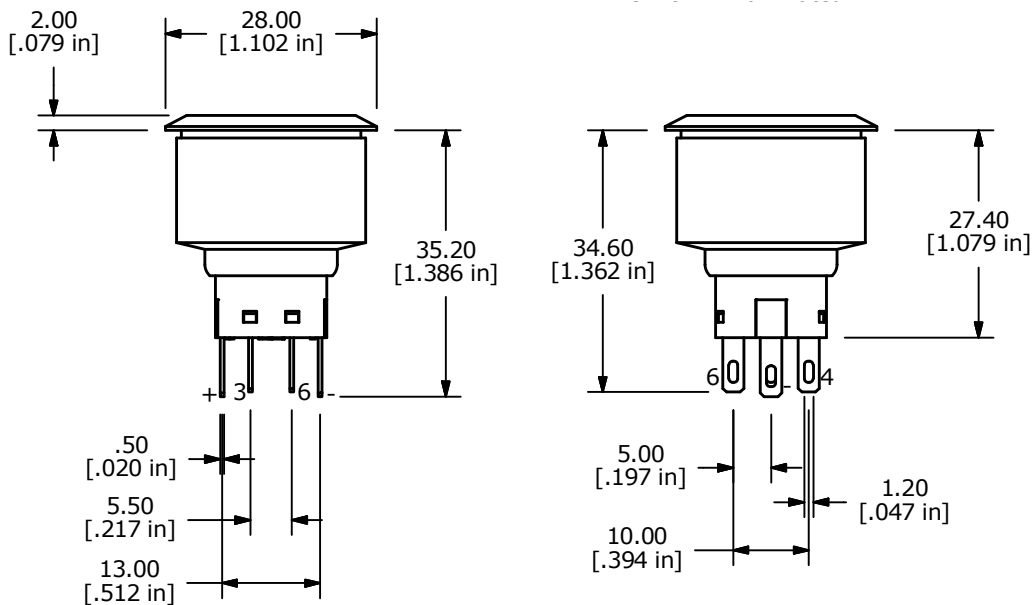


SPDT SWITCH DIMENSIONS

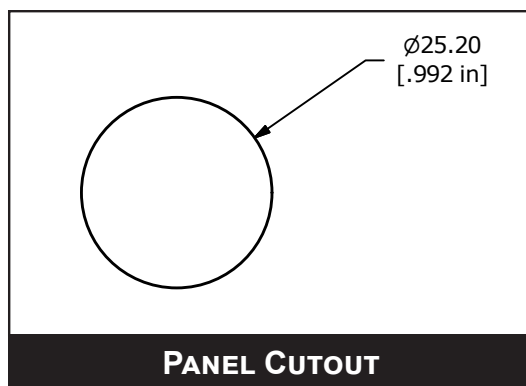


# ULV8 SERIES ANTI-VANDAL SWITCH

## BODY DIMENSIONS - DPDT

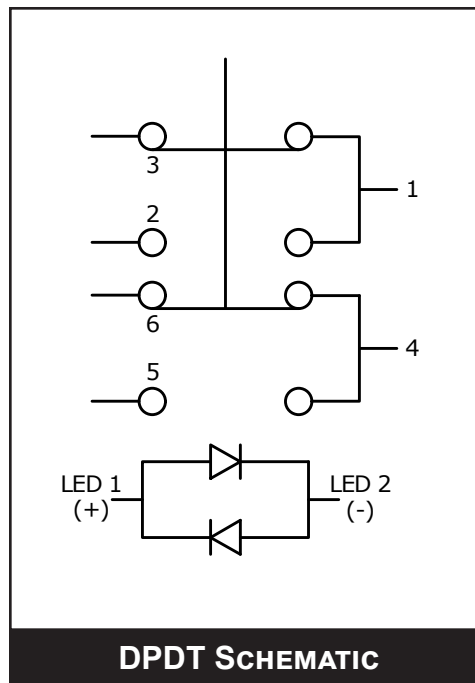
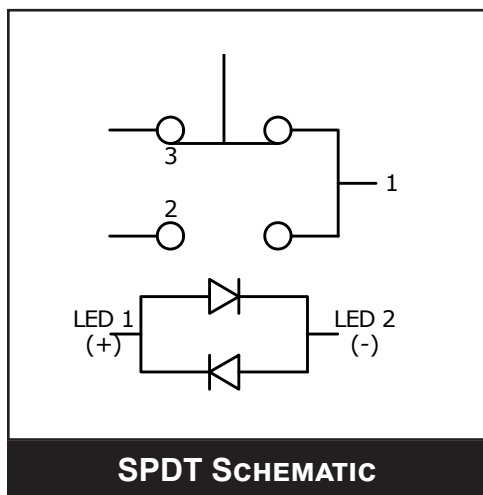


DPDT SWITCH DIMENSIONS

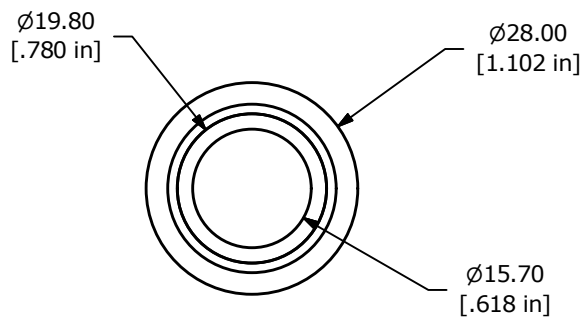


# ULV8 SERIES ANTI-VANDAL SWITCH

## SCHEMATICS



## ACTUATOR OPTIONS



RING ILLUMINATED



# ULV8 SERIES ANTI-VANDAL SWITCH

## WIRE LEADS

SWITCH	WIRE	LENGTH
SW1-1	WIRE, 24AWG AWM UL1015, BLUE	300.0 [11.8 in]
SW1-2	WIRE, 24AWG AWM UL1015, PURPLE	300.0 [11.8 in]
SW1-3	WIRE, 24AWG AWM UL1015, GREEN	300.0 [11.8 in]
SW1-4	WIRE, 24AWG AWM UL1015, WHITE	300.0 [11.8 in]
SW1-5	WIRE, 24AWG AWM UL1015, ORANGE	300.0 [11.8 in]
SW1-6	WIRE, 24AWG AWM UL1015, YELLOW	300.0 [11.8 in]
SW1- (-)	WIRE, 24AWG AWM UL1015, BLACK	300.0 [11.8 in]
SW1- (+)	WIRE, 24AWG AWM UL1015, RED	300.0 [11.8 in]

\*\* WIRE LEADS PROVIDED ARE DEPENDANT ON THE FUNCTION SELECTED \*\*

