

PLEASE CHECK WWW.MOLEX.COM FOR LATEST PART INFORMATION

Part Number: **0751951012**
Status: **Active**
Overview: VHDM® L-Series Backplane Connectors
Description: VHDM® L-Series Single-Ended Backplane Header, 2.00mm Pitch, Left Shield End Version, 6 Row, 60 Circuits, Pin Length 6.25m, Lead-Free

Documents:

[Drawing \(PDF\)](#) [RoHS Certificate of Compliance \(PDF\)](#)
[Product Specification PS-74031-999 \(PDF\)](#)

General

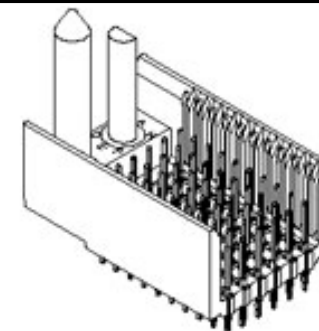
Product Family	Backplane Connectors
Series	75195
Application	Backplane
Application Tooling Documents	TM-622010999
Comments	Keying Position A
Component Type	PCB Header
Overview	VHDM® L-Series Backplane Connectors
Product Name	VHDM Lite®
UPC	756054752951

Physical

Circuits (Loaded)	60
Circuits (maximum)	60
Color - Resin	Black
Durability (mating cycles max)	200
First Mate / Last Break	No
Guide to Mating Part	Yes
Keying to Mating Part	Yes
Material - Metal	High Performance Alloy (HPA), Stainless Steel
Material - Plating Mating	Gold
Material - Plating Termination	Tin
Material - Resin	High Temperature Thermoplastic
Net Weight	6.270/g
Number of Columns	10
Number of Pairs	Open Pin Field
Number of Rows	6
Orientation	Vertical
PC Tail Length	2.50mm
PCB Locator	No
PCB Retention	Yes
PCB Thickness - Recommended	1.80mm
Packaging Type	Tube
Pitch - Mating Interface	2.00mm
Pitch - Termination Interface	2.00mm
Plating min - Mating	0.762µm
Plating min - Termination	0.762µm
Polarized to PCB	No
Surface Mount Compatible (SMC)	Yes
Temperature Range - Operating	105°C
Termination Interface: Style	Through Hole - Compliant Pin

Electrical

Current - Maximum per Contact	2.0A
Data Rate	622.0 Mbps
Shielded	No
Voltage - Maximum	120V AC (RMS)/DC



Series image - Reference only

EU ELV

Not Relevant

EU RoHS

Compliant

China RoHS

REACH SVHC

Contains SVHC(2014 December 17): No

Halogen-Free

Status

Low-Halogen

Need more information on product environmental compliance?

Email productcompliance@molex.com
Please visit the [Contact Us](#) section for any non-product compliance questions.

China ROHS
ELV

Green Image
Not Relevant

Search Parts in this Series

75195 Series

Mates With

75189 VHDM® Lite Board-to-Board Daughtercard

Use With

Daughtercard Modules

Application Tooling | FAQ

Tooling specifications and manuals are found by selecting the products below. Crimp Height Specifications are then contained in the Application Tooling Specification document.

Global

Description

Product #

Insertion Module for Advanced Mate Signal Header, 6-	0622020207
--	----------------------------

Solder Process Data

Lead-free Process Capability

N/A

Material Info**Reference - Drawing Numbers**

Product Specification

PS-74031-999

Sales Drawing

SD-75195-001

VHDM and Very High Density Metric are trademarks of Amphenol Corporation

Row by 10-Wide,
20.00mmSignal Pin Inserter 0622015700

Repair Tool

This document was generated on 06/26/2015

PLEASE CHECK WWW.MOLEX.COM FOR LATEST PART INFORMATION