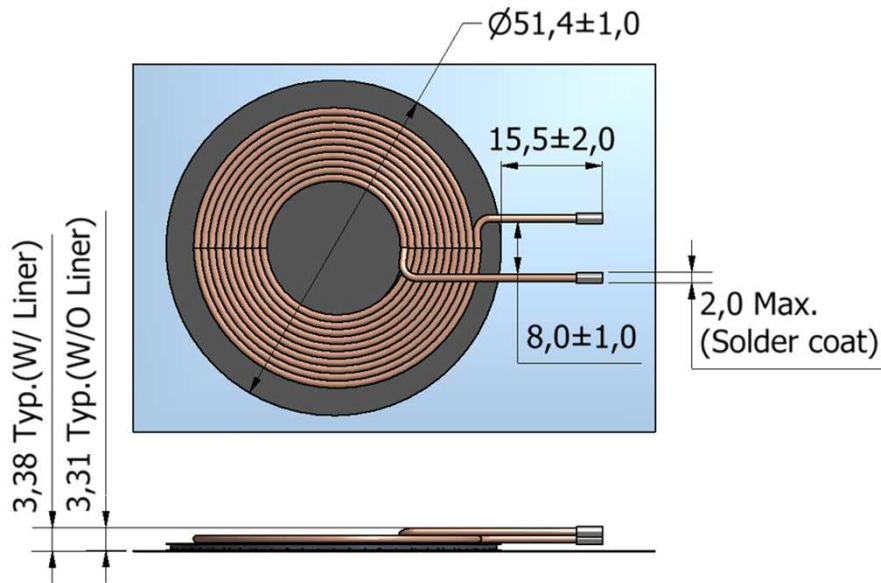


WT505090-10F2-LP-G1(Flexible Type)



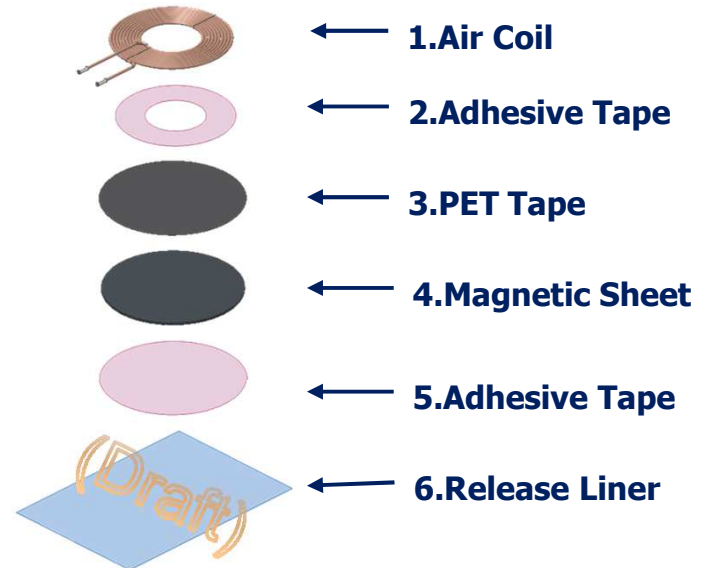
= Dimension of coil unit =



= Coil unit Assembly =

Unit : mm

Stack	TDK Item	Typ.	Max.
1	Coil+Resin	1.050	1.300
	Coil+Resin	1.050	1.300
2	Adhesive Tape	0.135	0.142
3	PET Tape	0.050	0.053
4	Magnetic Sheet	0.900	0.990
5	Adhesive Tape	0.120	0.126
6	Release Liner	0.075	0.079
Total Thickness (W/O Liner)		3.31	3.91
Total Thickness (W/ Liner)		3.38	3.99



= Electrical Characteristics =

- L_s : 6.3 μH typ. @100kHz
- R_{dc} : 0.06 Ω typ. @100kHz