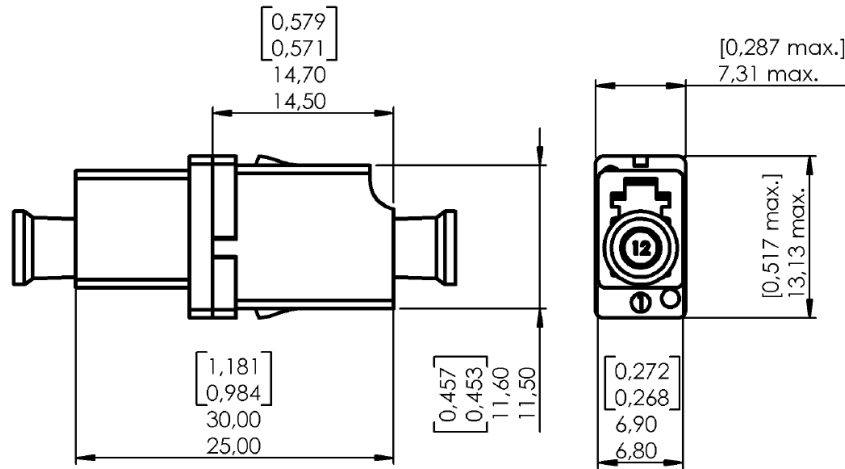


PAGE 1/1	ISSUE 03-06-13	SERIES LC	PART NUMBER F727711000
----------	-----------------------	------------------	-------------------------------



Dimensions: mm [inches]

GENERAL

Type: IEC 61754-20 (LC)
RJ-45 latching system

Mounting: Snap in mounting
Max. panel thickness 1.7mm

Alignment Sleeve: Zirconia

Color: BLUE

CHARACTERISTICS (Dependent on cable or fiber construction)

Material: Plastic molded: Material in accordance with
TELCORDIA GR-326 CORE
Inflammability V0 (UL 94)

Mechanical: Endurance: 200 matings

Environmental: Storage temperature range: -40°C / +85°C
Operating temperature range: -40°C / +70°C

Proof Test : Straight pull: 68N loed at 0°
Side pull: 23N loed at 90°

Vibration Test : 10 to 55Hz, 1.5mm (peak to peak), 2Hr/axis

(Performance and specification: see document **GEN_F727 001**)