

LT1222 and LT1793 Low Noise Transimpedance Amplifier

DESCRIPTION

Demonstration circuit 1416 is a low noise transimpedance amplifier. It utilizes the low voltage noise [LT[®]1222](#) op amp, and the low current noise [LT1793](#) op amp, along with the discrete NXP JFET BF862, allowing the user to take advantage of each component's particular optimization.

These components are arranged with jumpers allowing various composite configurations. A socketed photodiode, OSRAM SFH213, is also provided.

Design files for this circuit board are available at <http://www.linear.com/demo/DC1416>

LT, LT, LTC, LTM, Linear Technology and the Linear logo are registered trademarks of Linear Technology Corporation. All other trademarks are the property of their respective owners.

PERFORMANCE SUMMARY

Specifications are at $T_A = 25^\circ\text{C}$, $V_S = \pm 12\text{V}$

SYMBOL	PARAMETER	CONDITIONS	TYP	UNITS
V_S	Supply Voltage		± 12	V
A_Z	TIA Gain		1M	Ω
V_{OS}	Input Offset Voltage	LT1793 ($V_{OS} + I_{BIAS} \cdot 10\text{M}$)	300	μV
dV_{OS}/dT	Input Offset Voltage Drift	LT1793 ($dV_{OS}/dT + dI_{BIAS}/dT \cdot 10\text{M}$)	10	$\mu\text{V}/\text{C}$
I_{BIAS}	Input Bias Current	LT1793 + BF862	6	pA
e_n	Input Voltage Noise Density	$f = 100\text{kHz}$, JFET In Gain Configuration	1	$\text{nV}/\sqrt{\text{Hz}}$
e_n	Input Voltage Noise Density	$f = 100\text{kHz}$, Source Follower Configuration	3	$\text{nV}/\sqrt{\text{Hz}}$
C_{IN}	Input Capacitance	$f = 10\text{kHz}$, Source Follower Configuration	2	pF
GBW	Gain Bandwidth Product	JP In ($C_{COMP} = 49\text{pF}$)	70	MHz
GBW	Gain Bandwidth Product	JP Out ($C_{COMP} = 10\text{pF}$)	190	MHz
GBW	Gain Bandwidth Product	JP Out, C7 Removed ($C_{COMP} = 0\text{pF}$)	500	MHz
BW	-3dB Bandwidth	With SFH213, $1\text{M}\Omega$ Gain, JP7 Out	2	MHz
V_{OUT}	Output Voltage Swing	Cathode Input, Integrator In	0 to 10	V
V_{OUT}	Output Voltage Swing	Cathode Input, Integrator Out	-0.4 to -10	V
V_{OUT}	Output Voltage Swing	Anode Input, Integrator In	0 to -10	V
V_{OUT}	Output Voltage Swing	Anode Input, Integrator Out	-0.4 to -10	V
I_{CC}	Supply Current	$V_S = \pm 12\text{V}$	17	mA
I_{BIAS}	Input Bias Current	LT1793 + BF862	6	pA
PSRR	Power Supply Rejection Ratio	$\pm 5\text{V}$ to $\pm 15\text{V}$, Integrator In	95	dB

OPERATING PRINCIPLES

Composite amplifiers using single JFET inputs can be classified into two groups: common drain (or “source follower”) and common source (or “JFET in gain”). The standard jumper configuration of this board, as shipped and as indicated on the silkscreen, has the JFET as a source follower.

Another classification is DC accuracy. The LT1793 has been provided on board as an integrator to provide DC

accuracy, overriding the high 400mV or so V_{GS} of the JFET. The standard jumper configuration is “Integrator In”, so the TIA will be DC accurate to within the V_{OS} of the LT1793 (900 μ V max). With the integrator removed from the circuit, the DC error rises to 400mV or so.

The feedback resistor, which sets the TIA gain, is 1M Ω . So the output will respond at 1V per microamp of photocurrent.

QUICK START PROCEDURE

Demonstration circuit 1416 is shipped with the jumpers set for source follower operation with the integrator in. If the jumpers have been changed, restore them to the positions shown in the schematic. Refer to Figure 1 for proper measurement equipment setup and follow the procedure below:

1. With power off, connect the +12V, -12V, and Com leads from the power supply to the V^+ , V^- , and GND terminals of the demo circuit, as shown in Figure 1.
2. With power off, connect the V_{OUT} of the demo circuit to an oscilloscope or DMM. You can use either the gold SMA connector or the turrets provided on board, or both. Set a high range such as 2V/DIV on the oscilloscope, or V_{DC} on the DMM.
3. Turn on the power supply.
4. You should now be able to wave your hand over the clear photodiode provided on the board (upper left of Figure 1) and see the effect in both DC signal and noise. With the photodiode in darkness, or removed from its socket, the output should sit near ground.
5. You can now connect an optical source to excite the photodiode in a more controlled manner. The easiest way is to drive an LED directly from a function generator, with the function generator’s internal 50 Ω source impedance as a current limiter. Any standard color or IR LED can be used, as the photodiode provided has a wide sensitivity. Be careful not to overdrive sensitive devices such as small lasers.
6. You can now decide whether to play with other configurations (JFET in gain, integrator out, more compensation, etc), or to replace the provided photodiode with the one you intend to use.

QUICK START PROCEDURE

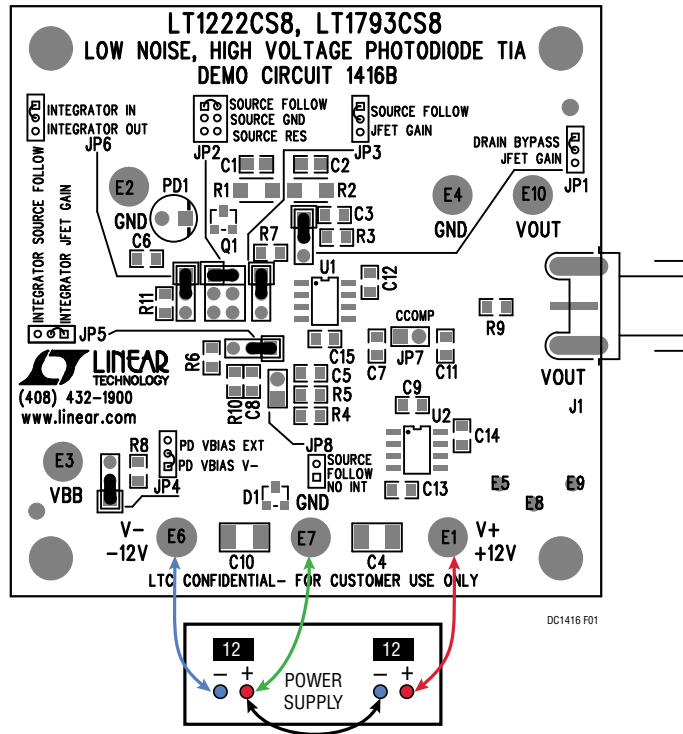


Figure 1. Proper Supply Connections. Board Is Shown for Source Follower with Integrator In (JP1 through JP6 Have Shunt in Position 1. JP7 and JP8 Are Open.)

Table 1. Jumper Settings for Various Configurations. Refer to Figures 2 and 3 for Qualitative Descriptions of the Configurations and to Figure 4 for the Complete Schematic.

JUMPER	TYPE	CIRCUIT	SOURCE FOLLOWER INTEGRATOR IN	SOURCE FOLLOWER INTEGRATOR OUT	JFET IN GAIN INTEGRATOR IN	JFET IN GAIN INTEGRATOR OUT
JP1	1x3	JFET Drain	1, 2	1, 2	2, 3	2, 3
JP2	2x3	JFET Source	1, 2	1, 2	5, 6	3, 4
JP3	1x3	LT1222 -Input	1, 2	1, 2	2, 3	2, 3
JP4	1x3	Photodiode Bias	1, 2	1, 2	1, 2	1, 2
JP5	1x3	Integrator Output	1, 2	Out	2, 3	Out
JP6	1x3	Integrator Input	1, 2	2, 3	1, 2	2, 3
JP7	1x2	LT1222 Compensation	Out	Out	In	In
JP8	1x2	LT1222 +Input	Out	In	Out	Out

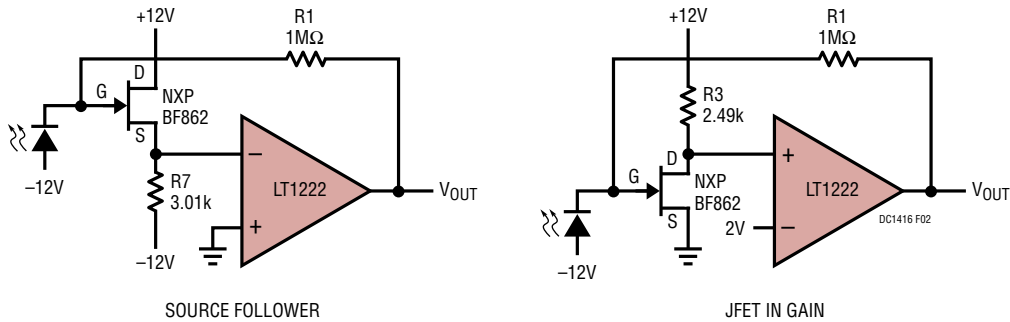


Figure 2. The Two Basic Types of JFET Configuration. The Left Shows the JFET as a Source Follower, Simply Buffering the Feedback Resistor to the Op Amp's Inverting Input. The Right Shows the JFET In Gain, with Source Grounded. Because the JFET Inverts, the Feedback Is Now Applied to the Op Amp's Non-Inverting Input. In Both Cases, the Effective Input Offset Voltage Is One JFET V_{GS} (About $-400mV$). The Source Follower Configuration Is the Simplest and Most Versatile, but the JFET In Gain Configuration Offers the Highest Achievable Gain-Bandwidth Product and the Lowest Voltage Noise. Output Noise at Low and Medium Frequencies (10kHz to 100kHz) Is $130nV/\sqrt{Hz}$, Dominated Entirely by the Feedback Resistor

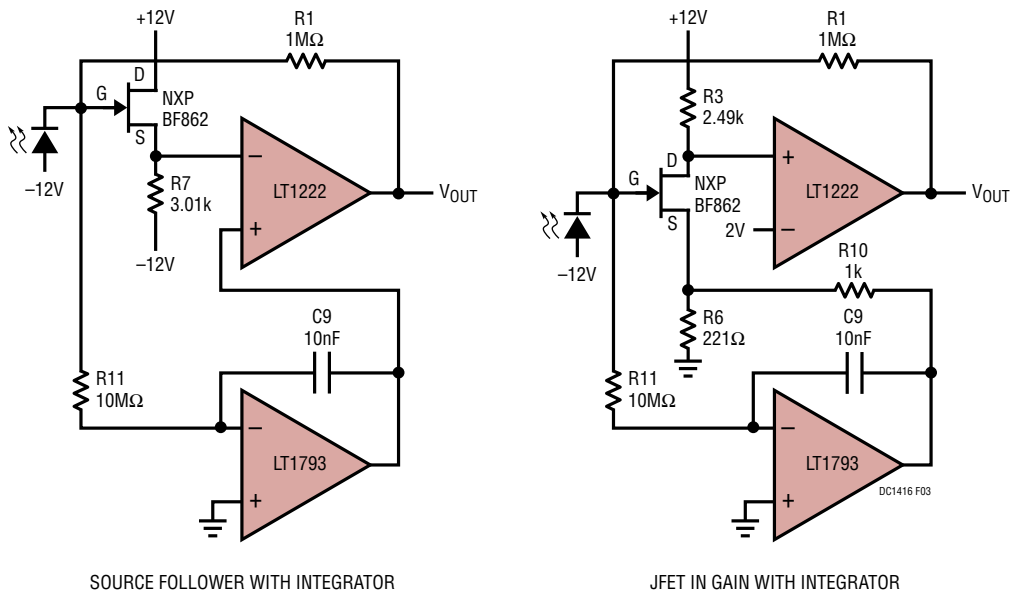
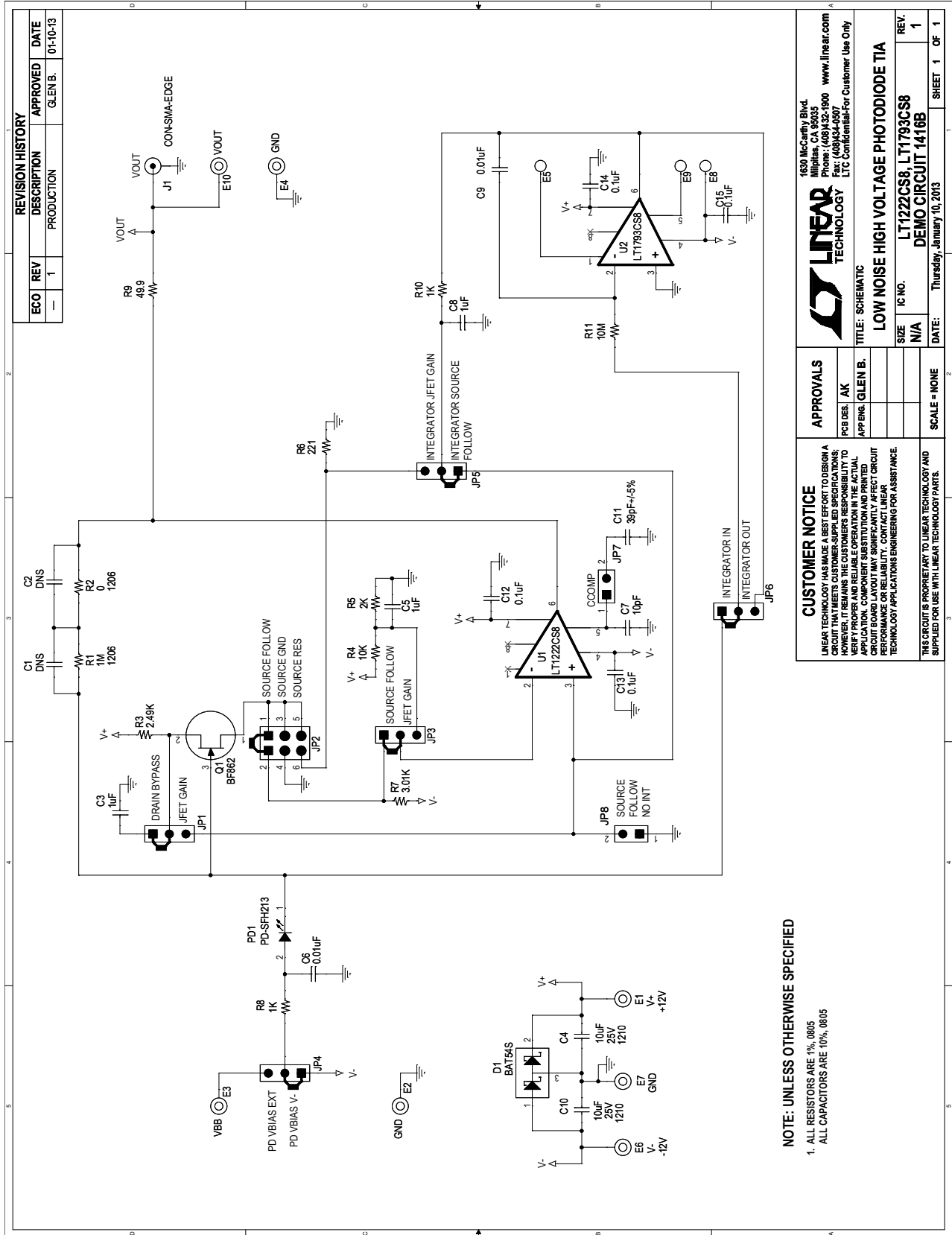


Figure 3. The Two Basic Types of JFET Configuration Again, but Shown with LT1793 Integrators which Zero Out the Overall Input Offset Voltage. On the Left, the JFET V_{GS} Is Forced to the LT1793 Non-Inverting Input. On the Right, the Integrator Puts JFET V_{GS} at the Source Directly. In both Cases, the 10M Sensing Resistor R11 Injects $40fA/\sqrt{Hz}$ of Current Noise, which Is Discernible but Relatively Small Compared to the $130fA/\sqrt{Hz}$ of the 1M Feedback Resistor. The Output Noise at Low to Medium Frequencies Is about $136nV/\sqrt{Hz}$

SCHEMATIC DIAGRAM



NOTE: UNLESS OTHERWISE SPECIFIED
 1. ALL RESISTORS ARE 1%, 0805
 ALL CAPACITORS ARE 10%, 0805

1630 McCarthy Blvd.
 Milpitas, CA 95035
 Phone: 408.438.4000 www.linear.com
 Fax: 408.438.4070

LINEAR TECHNOLOGY
 LTC Confidential For Customer Use Only

APPROVALS
 PCB DES. AK
 APP ENG. GLEN B.

TITLE: SCHEMATIC
 LOW NOISE HIGH VOLTAGE PHOTODIODE TIA

IC NO. LT1222CS8, LT1793CS8
 DEMO CIRCUIT 1416B

SCALE = NONE
 SHEET 1 OF 1

DATE: Thursday, January 10, 2013

CUSTOMER NOTICE
 LINEAR TECHNOLOGY HAS MADE A BEST EFFORT TO DESIGN A CIRCUIT THAT MEETS CUSTOMER-SUPPLIED SPECIFICATIONS. HOWEVER, IT REMAINS THE CUSTOMER'S RESPONSIBILITY TO VERIFY PROPER AND RELIABLE OPERATION IN THE ACTUAL APPLICATION. COMPONENT SUBSTITUTION AND PRINTED CIRCUIT BOARD LAYOUT MAY SIGNIFICANTLY AFFECT CIRCUIT PERFORMANCE. CUSTOMERS ARE ADVISED TO CONTACT LINEAR TECHNOLOGY APPLICATIONS ENGINEERING FOR ASSISTANCE.

THIS CIRCUIT IS PROPRIETARY TO LINEAR TECHNOLOGY AND SUPPLIED FOR USE WITH LINEAR TECHNOLOGY PARTS.

Figure 4. DC1416 Demo Circuit Schematic

DEMO MANUAL DC1416

DEMONSTRATION BOARD IMPORTANT NOTICE

Linear Technology Corporation (LTC) provides the enclosed product(s) under the following **AS IS** conditions:

This demonstration board (DEMO BOARD) kit being sold or provided by Linear Technology is intended for use for **ENGINEERING DEVELOPMENT OR EVALUATION PURPOSES ONLY** and is not provided by LTC for commercial use. As such, the DEMO BOARD herein may not be complete in terms of required design-, marketing-, and/or manufacturing-related protective considerations, including but not limited to product safety measures typically found in finished commercial goods. As a prototype, this product does not fall within the scope of the European Union directive on electromagnetic compatibility and therefore may or may not meet the technical requirements of the directive, or other regulations.

If this evaluation kit does not meet the specifications recited in the DEMO BOARD manual the kit may be returned within 30 days from the date of delivery for a full refund. **THE FOREGOING WARRANTY IS THE EXCLUSIVE WARRANTY MADE BY THE SELLER TO BUYER AND IS IN LIEU OF ALL OTHER WARRANTIES, EXPRESSED, IMPLIED, OR STATUTORY, INCLUDING ANY WARRANTY OF MERCHANTABILITY OR FITNESS FOR ANY PARTICULAR PURPOSE. EXCEPT TO THE EXTENT OF THIS INDEMNITY, NEITHER PARTY SHALL BE LIABLE TO THE OTHER FOR ANY INDIRECT, SPECIAL, INCIDENTAL, OR CONSEQUENTIAL DAMAGES.**

The user assumes all responsibility and liability for proper and safe handling of the goods. Further, the user releases LTC from all claims arising from the handling or use of the goods. Due to the open construction of the product, it is the user's responsibility to take any and all appropriate precautions with regard to electrostatic discharge. Also be aware that the products herein may not be regulatory compliant or agency certified (FCC, UL, CE, etc.).

No License is granted under any patent right or other intellectual property whatsoever. **LTC assumes no liability for applications assistance, customer product design, software performance, or infringement of patents or any other intellectual property rights of any kind.**

LTC currently services a variety of customers for products around the world, and therefore this transaction **is not exclusive**.

Please read the DEMO BOARD manual prior to handling the product. Persons handling this product must have electronics training and observe good laboratory practice standards. **Common sense is encouraged.**

This notice contains important safety information about temperatures and voltages. For further safety concerns, please contact a LTC application engineer.

Mailing Address:

Linear Technology
1630 McCarthy Blvd.
Milpitas, CA 95035

Copyright © 2004, Linear Technology Corporation