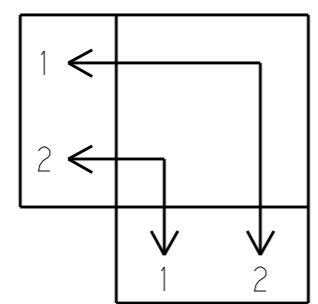
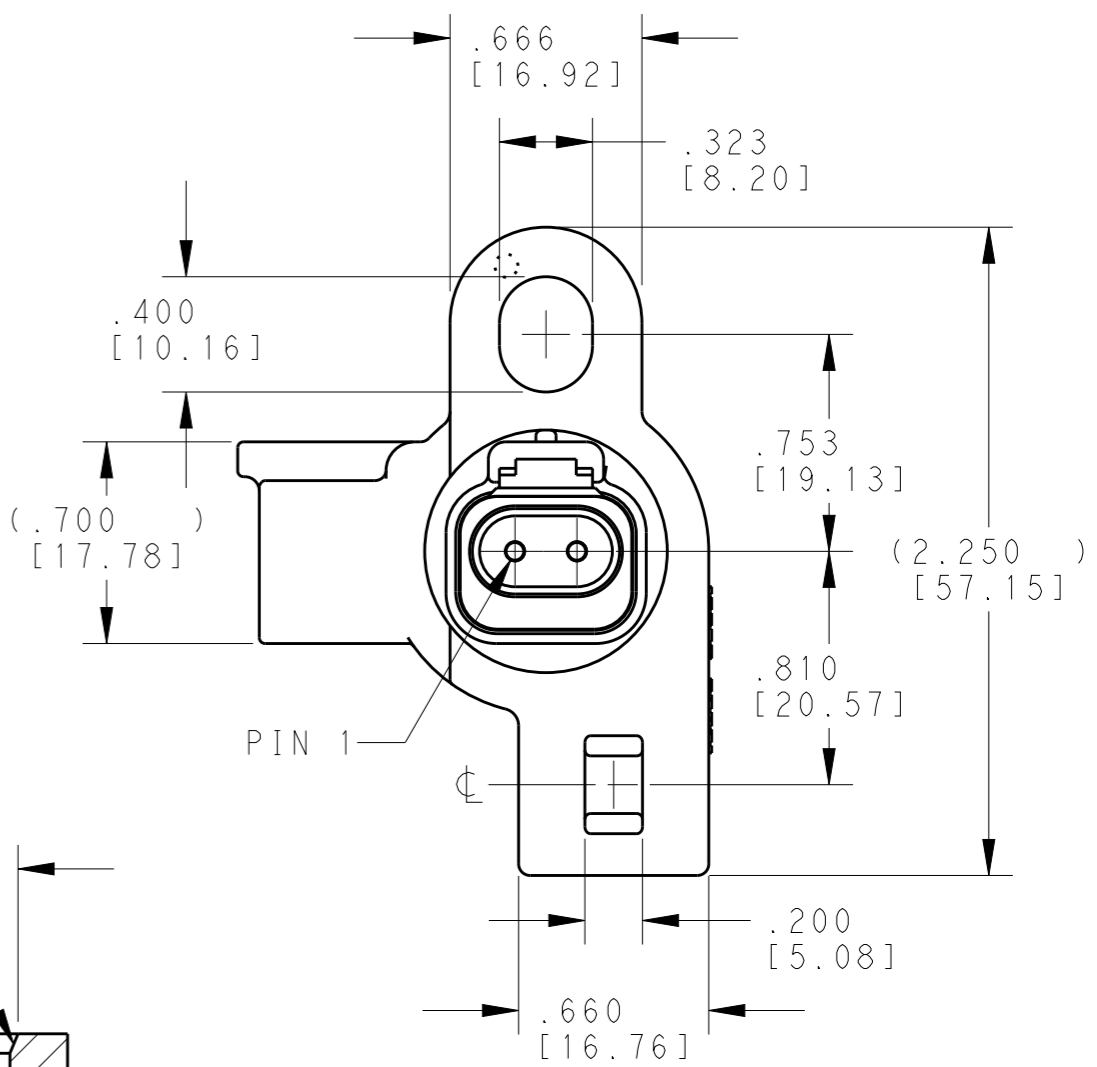
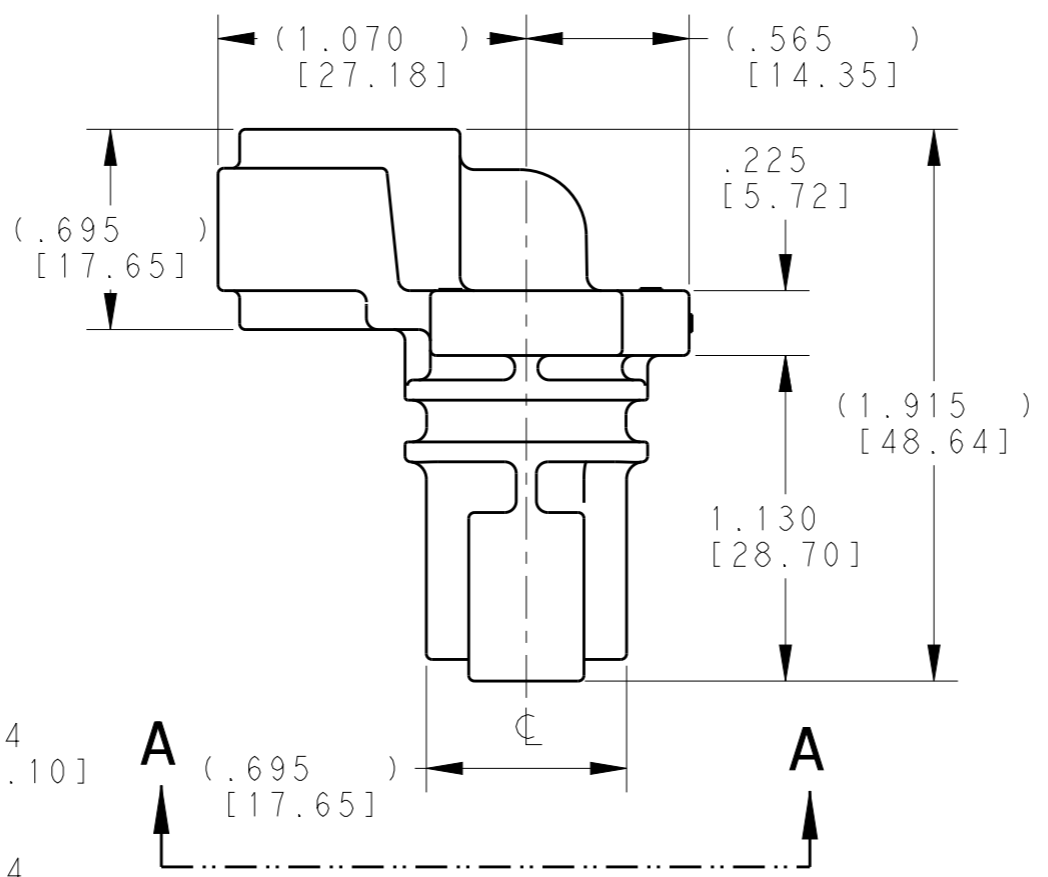
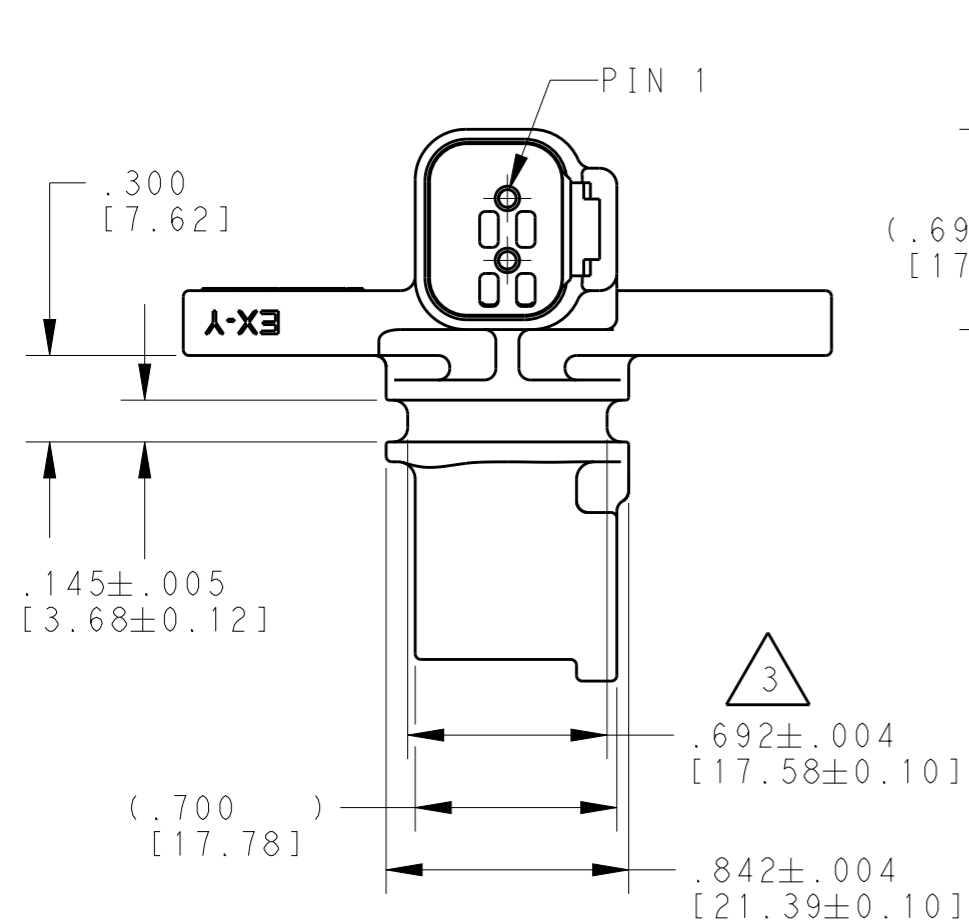
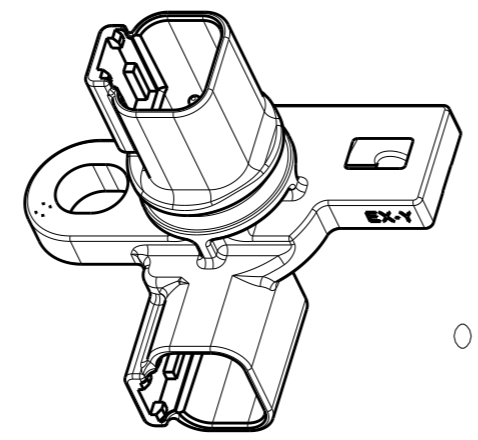


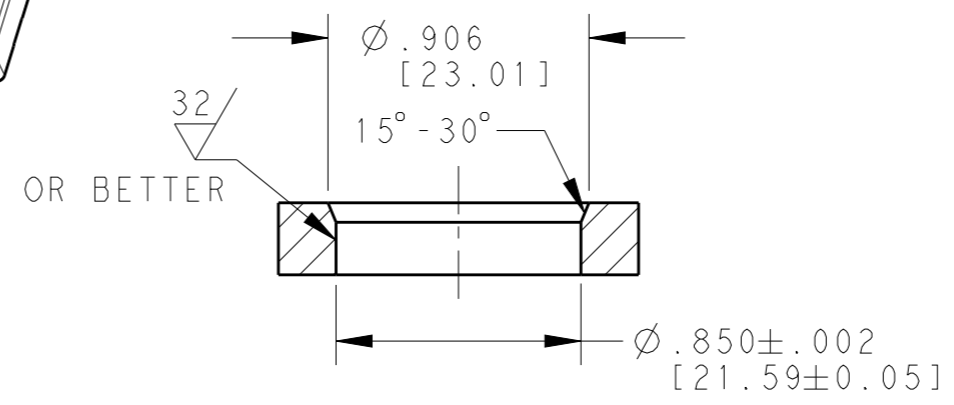
P	LTR	DESCRIPTION	DATE	DWN	APVD
C		REVISED PER E.O. P17106	15FEB2001	PB	RDR
D		REVISED PER E.O. P19169	14JUL2006	KM	RDR
D1		REVISED PER ECO-14-015954	27OCT2014	JA	DM
E		REVISED PER ECO-16-007527	06SEP2016	KM	DM



(ELECTRICAL)
SCHEMATIC SYMBOL



3D VIEW



RECOMMENDED CUTOUT

VIEW A-A

TE INTERNAL PN	DEUTCH PN
DT04-2P-N006	DT04-2P-N006

4. RECOMMENDED SCREW: 5/16 [M8].
 TORQUE: 80-133 in-lb [9.00-15.00 Nm].

3. RECOMMENDED CROSS SECTION OF O-RING (CUSTOMER SUPPLIED) NOMINAL Ø .103 [2.62], AS568-115

2. THIS RECEPTACLE MATES WITH DT06-2S-XXXX PLUG (XXXX = ALL MODIFICATIONS.)

1. MATERIAL: HOUSING: PA46 GF30 BLACK;
 CONTACTS: COPPER ALLOY,
 NICKEL OVER COPPER
 INTERNAL SEAL: VMQ

NOTES:

THIS DRAWING IS A CONTROLLED DOCUMENT.		DWN	27OCT2014	 TE Connectivity	
DIMENSIONS: INCHES [mm]		CHK	27OCT2014		
TOLERANCES UNLESS OTHERWISE SPECIFIED:		APVD	27OCT2014		
0 PLC ± 1 PLC ± 2 PLC ± 3 PLC ±.010 [.25] 4 PLC ± ANGLES ±0°30'0"		PRODUCT SPEC	0425-017-0000		
MATERIAL	FINISH	APPLICATION SPEC	0425-017-0000	NAME	RECEPTACLE, DOUBLE 90 DEGREES, DT 2 PIN DT SERIES
1	1	WEIGHT	15.53g	SIZE	A3
		Customer Drawing	SCALE	CAGE CODE	4AFU8
			3:2	DRAWING NO	DT04-2P-N006
				RESTRICTED TO	-
				SHEET	1 OF 1
				REV	E