

PART NAME: KNOB SCALE: 1:1 DATE: 5/5/06 DR. BY JAM

THIS DRAWING IS THE PROPERTY OF DAVIES MOLDING COMPANY, IS SUBMITTED SOLELY AS A DESIGN OR ENGINEERING PROJECT. WE ACCEPT NO RESPONSIBILITY WHATSOEVER FOR THE PRACTICAL APPLICATION OF THE PIECES MADE TO THIS DESIGN.



DESIGNERS & MANUFACTURERS OF KNOBS, HANDLES, CASES & CUSTOM PLASTIC COMPONENTS

P/N 2790AP

M^{NO.} 0069

CAVITY 2790

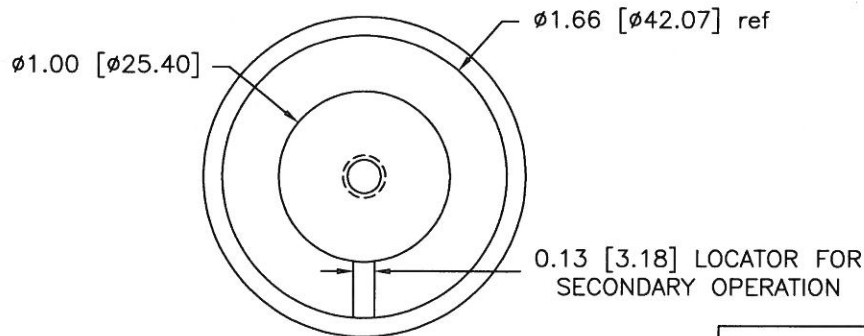
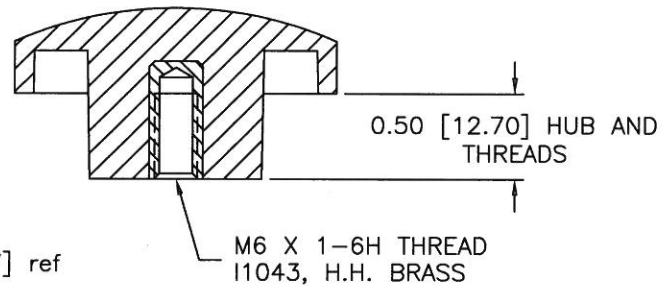
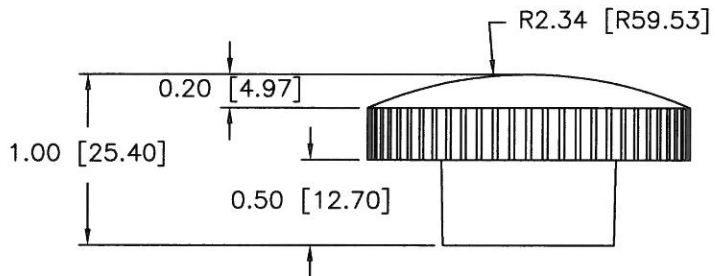
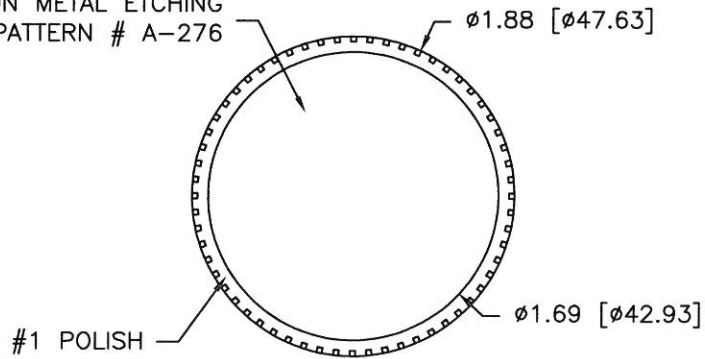
CORE 2790

SLEEVE 2790

PIN 2790

INSERT 11043

AKRON METAL ETCHING
PATTERN # A-276



MATERIAL: POLYPROPYLENE (CLD)
COLOR: BLACK

TOLERANCES: UNLESS OTHERWISE SPECIFIED	DO NOT SCALE DRAWING				
DECIMALS: X.XXX ± .005 X.XX ± .015	MM: X.XX ± 0.15MM X.X ± 0.4MM				
FRACTIONS ± 1/64	ANG. ± 1'	-	WAS SK2790-24	JAM	5/5/06
CHANGES					