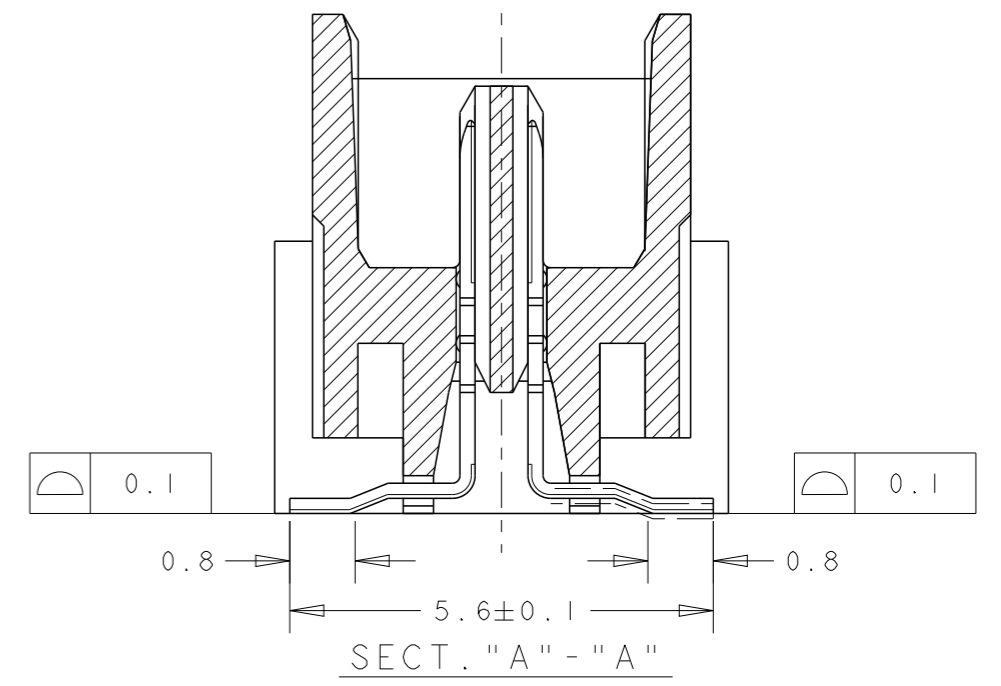
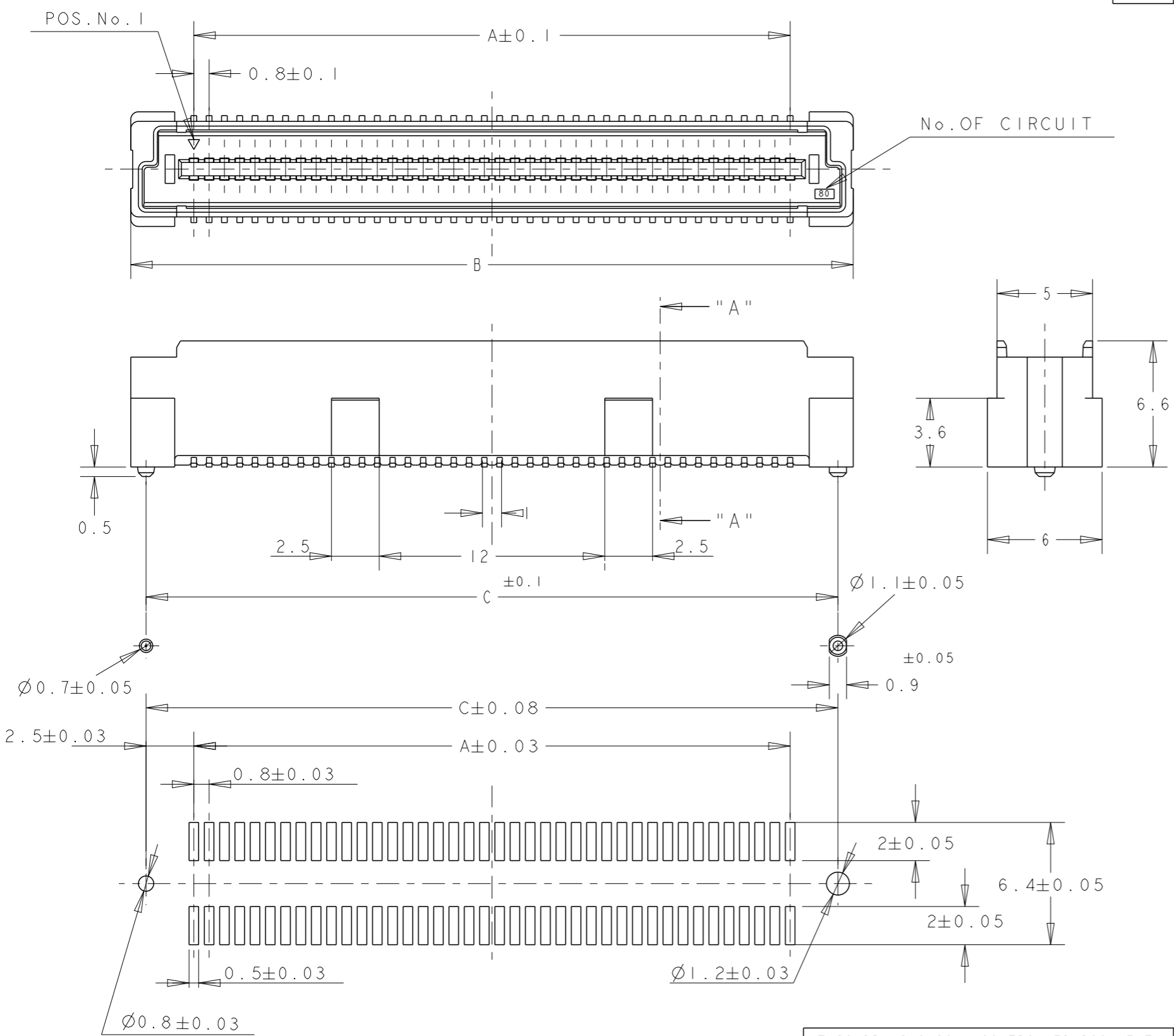


THIS DRAWING IS UNPUBLISHED. RELEASED FOR PUBLICATION 20  
 © COPYRIGHT 20 BY - ALL RIGHTS RESERVED.


LOC	DIST	REVISIONS			
P	LTR	DESCRIPTION	DATE	DWN	APVD
DY	-	B2 REVISED PER ECR-12-021394	12DEC12	IT	SY



- NOTES:
- 1 MATERIAL:  
HOUSING: L.C.P. (HIGH TEMP THERMO PLASTIC)  
UL 94V-0, NATURAL.  
CONTACT: BRASS.
  - 2 FINISH:  
CONTACT AREA: 0.0002 MIN GOLD ON  
0.0013 MIN ALL OVER NICKEL.
  - 3 SOLDERING AREA: 0.002 MIN MATTE-TIN.
  - 4 POSITION SERIES: SEE TABLE.  
CONN STACK HEIGHT COMBINE OF PLUG "Y" H VS REC "X" H.  
STACK HEIGHT = Y + X - 5
  - 5 FINISH:  
CONTACT AREA: 0.00076 MIN GOLD ON  
0.0013 MIN ALL OVER NICKEL.  
SOLDERING AREA: 0.002 MIN MATTE-TIN.
  - 6 OBSOLETE PARTS: OBSOLETE CIS STREAMLINING PER  
D.RENAUD/D.SINISI.
  - 7 FINISH:  
CONTACT AREA: 0.00038 MIN GOLD ON  
0.0013 MIN ALL OVER NICKEL.  
SOLDERING AREA: 0.002 MIN MATTE-TIN.

P/N SEE SHEET 2 AND 3 OF 3

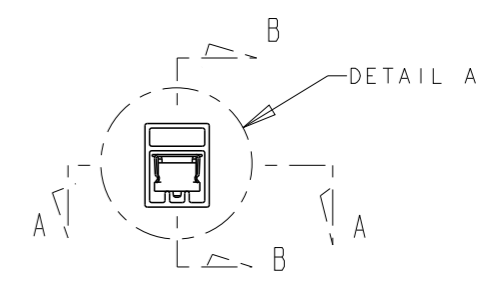
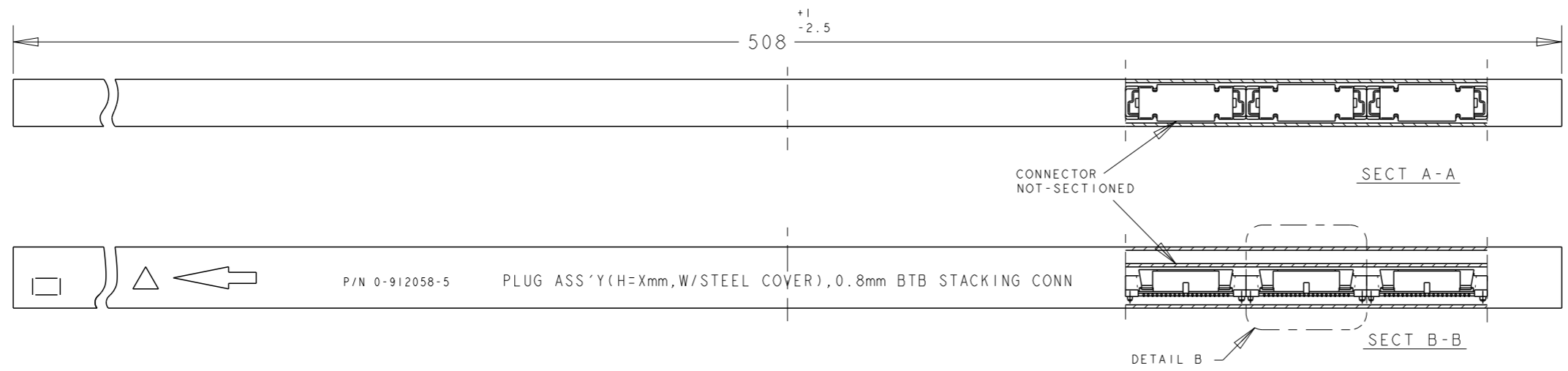
RECOMMENDED P.C. BOARD LAYOUT

THIS DRAWING IS A CONTROLLED DOCUMENT.		DWN FLORENCE TAN 30AUG04	 TE Connectivity	
DIMENSIONS: mm		CHK ERIC TNG		
TOLERANCES UNLESS OTHERWISE SPECIFIED:		APVD SE LEONG	NAME PLUG ASSEMBLY 7H TYPE (0.5 BOSS LENGTH) FOR FH 0.8mm PITCH BTB CONNECTOR	
0 PLC ± 1 PLC ±0.30 2 PLC ±0.25 3 PLC ±0.20 4 PLC ± ANGLES ±3°		PRODUCT SPEC 108-5390	SIZE A300779	
MATERIAL		APPLICATION SPEC 114-5254	DRAWING NO C-5179030	
FINISH SEE P/N TABLE		WEIGHT -	RESTRICTED TO -	
		CUSTOMER DRAWING	SCALE 4:1	SHEET 1 OF 3
			REV B2	

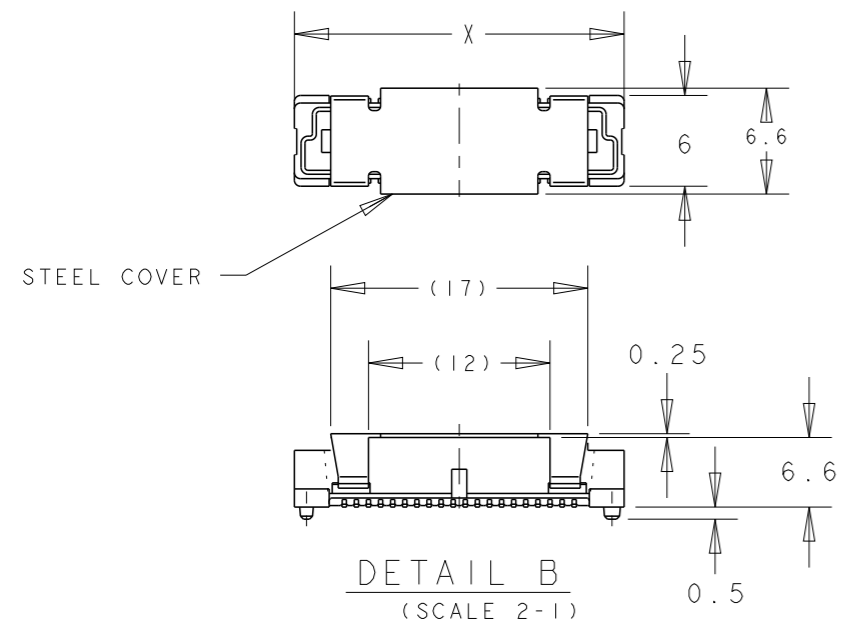


THIS DRAWING IS UNPUBLISHED. RELEASED FOR PUBLICATION 20  
 © COPYRIGHT 20 BY - ALL RIGHTS RESERVED.

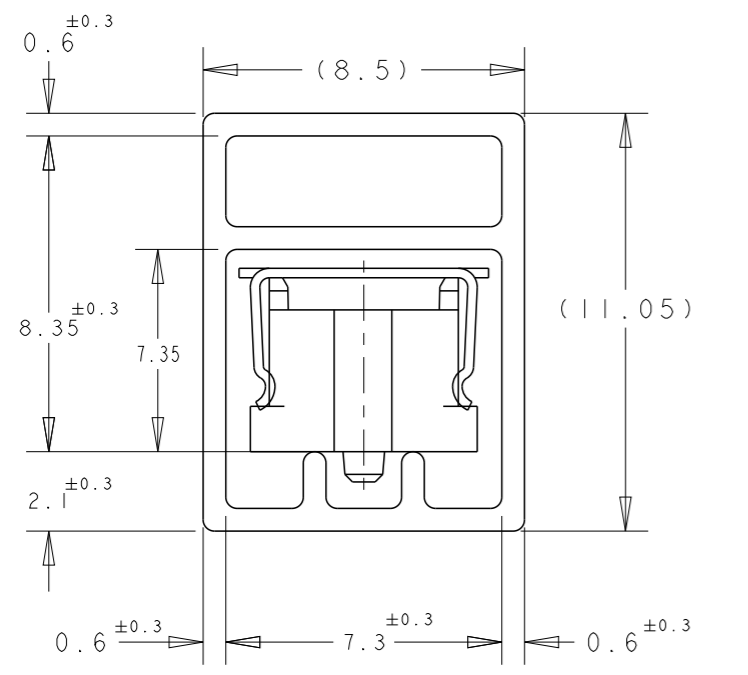
LOC	DIST	REVISIONS					
DY	-	P	LTR	DESCRIPTION	DATE	DWN	APVD
				SEE HEET I			



### PLUG TUBE ASSY WITH STEEL COVER FOR FH 0.8 B-T-B CONNECTOR



DETAIL B (SCALE 2-1)



DETAIL A (SCALE 5-1)

CNT PLT 30Au/Sn △5 WITH STEEL COVER	AVAILABLE	5	85.8	200	3-	-0	
		6	77.8	180	2-	-9	
		6	69.8	160	2-	-8	
	AVAILABLE	△6	7	65.8	150	2-	-7
		△5	7	61.8	140	2-	-6
			9	53.8	120	2-	-5
			10	45.8	100	2-	-4
			12	37.8	80	2-	-3
			16	29.8	60	2-	-2
22	21.8	40	2-	-1			
FINISH/REMARKS	AVAILABILITY	QTY/TUBE	X	POS.	CONN P/N	2-5179030-1	

THIS DRAWING IS A CONTROLLED DOCUMENT.

DWN FLORENCE TAN 30AUG04  
 CHK ERIC TNG  
 APVD SE LEONG  
 PRODUCT SPEC 108-5390  
 APPLICATION SPEC 114-5254  
 WEIGHT -

**STE** TE Connectivity

NAME: PLUG ASSEMBLY 7H TYPE (0.5 BOSS LENGTH) FOR FH 0.8mm PITCH BTB CONNECTOR

SIZE: A300779 CAGE CODE: 5179030 DRAWING NO: 5179030 RESTRICTED TO: -

MATERIAL: △1 FINISH: SEE P/N TABLE

CUSTOMER DRAWING SCALE: 4:1 SHEET: 3 OF 3 REV: B2