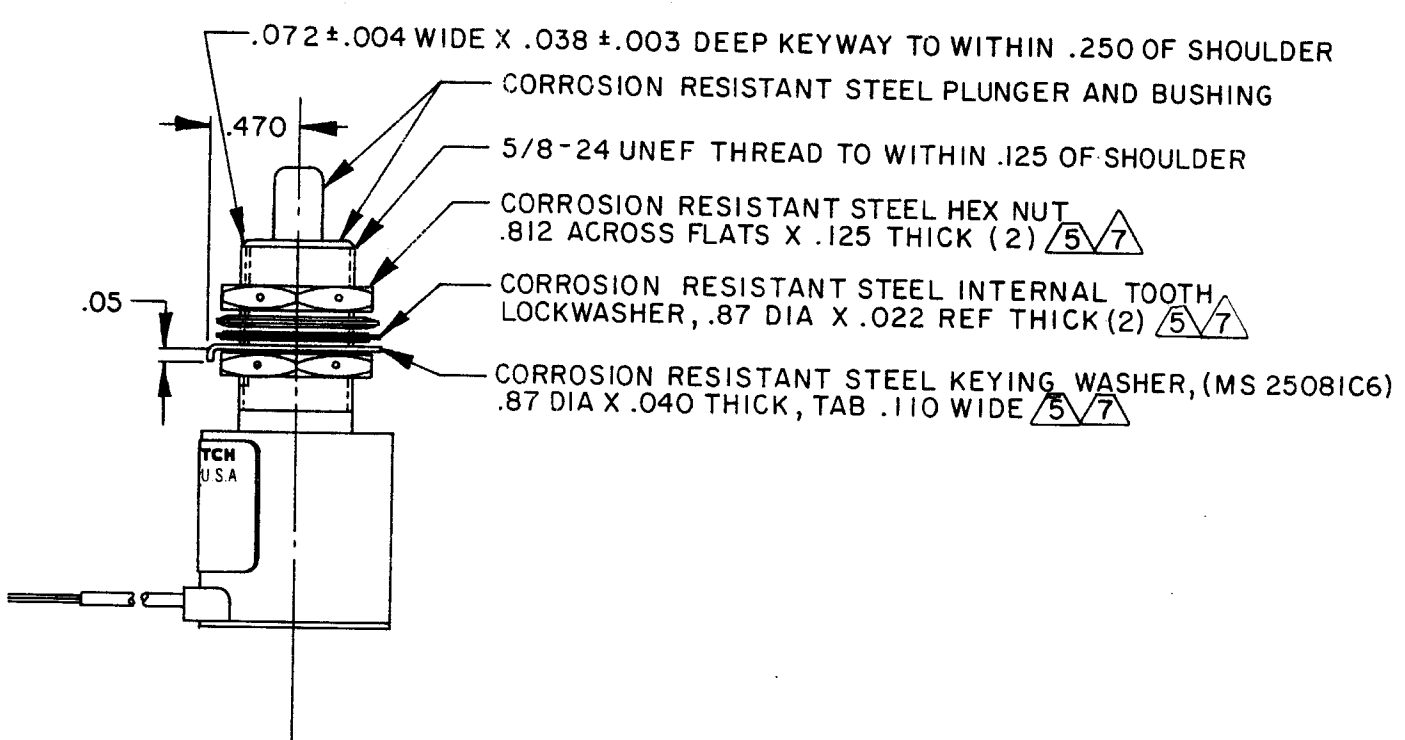
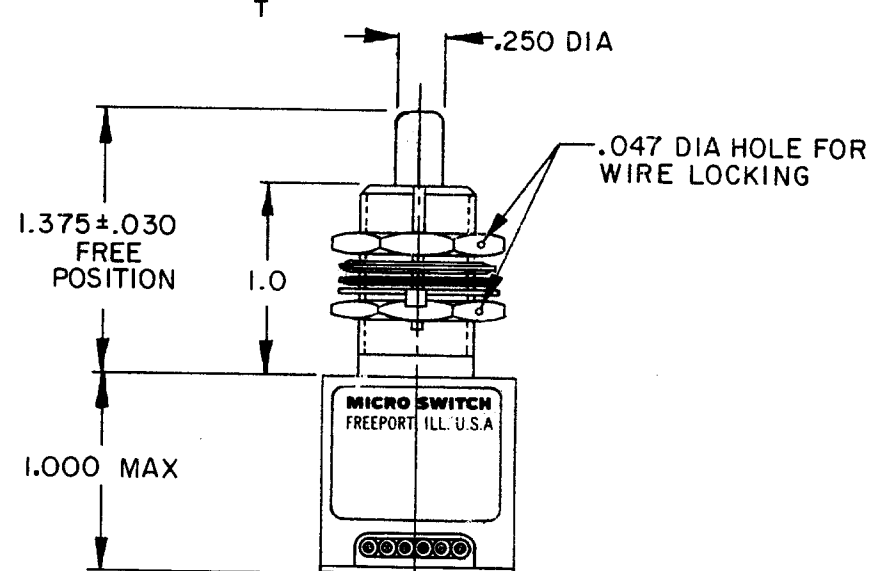
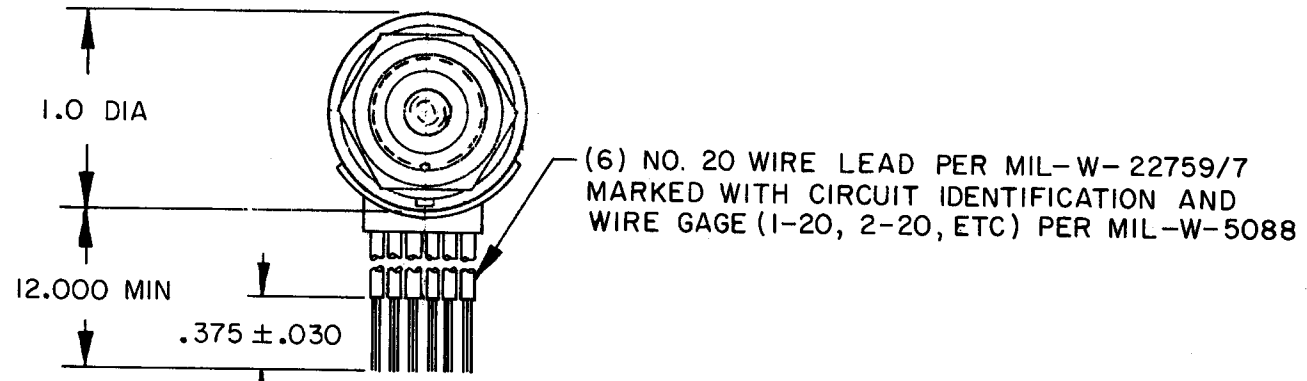
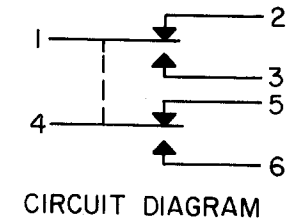


**MICRO SWITCH**  
 FREEPORT, ILLINOIS, U.S.A.  
 A DIVISION OF HONEYWELL  
 FED. MFG. CODE 91929

**SWITCH - ENCLOSED**

CATALOG LISTING  
**201EN1-1**



201EN1-1  
 M  
 DRAWING NUMBER  
 26  
 ISSUE  
 26  
 RELEASE NO. PR-12383  
 CHECK  
 REVISIONS  
 A REL PR-12383 J A P 29 AUG 83  
 B C057370 TSK 15 MAY 85  
 E C058255 T A D 5 DEC 85  
 D C074101 DAW 10 FEB 93  
 E C077504-C CO-27 JUL 94  
 DRAWN J A P 29 AUG 83  
 CHECK DJC  
 FO-52851-B

|   |                                       |                                    |                      |
|---|---------------------------------------|------------------------------------|----------------------|
| THIS DRAWING COVERS A PROPRIETARY ITEM AND IS THE PROPERTY OF MICRO SWITCH, A DIVISION OF HONEYWELL. THIS DRAWING IS NOT TO BE COPIED OR USED WITHOUT THE APPROVAL OF MICRO SWITCH. |                                       | SCALE FULL                         |                      |
| CHARACTERISTICS   |                                       | ELECTRICAL DATA                    |                      |
| OPERATING FORCE ----- 6-12 LB   | FULL OVERTRAVEL FORCE ----- 30 LB MAX | CONTACT ARRANGEMENT<br>S P D T (2) |                      |
| RELEASE FORCE ----- 4 LB MIN  | PRETRAVEL ----- .040 MAX              | LOAD                               | 28 VDC $\triangle 6$ |
| DIFFERENTIAL TRAVEL ----- .020 MAX  | OVERTRAVEL ----- .250 MIN             | RES                                | SEA LEVEL 50,000 FT. |
|   |                                       | IND                                | 4                    |
|   |                                       | MOTOR                              | 2                    |
|   |                                       |                                    | 4                    |
|   |                                       | WEIGHT                             | 7.5 OZ MAX           |

- NOTES:
- 1 - CORROSION RESISTANT STEEL ENCLOSURE
  - 2 - SWITCH SEALED PER MIL-S-8805 SYMBOL 4
  - 3 - CIRCUIT DIAGRAM AND CATALOG LISTING ARE SHOWN ON NAMEPLATE
  - 4 - COINCIDENCE OF OPERATING AND RELEASING POINTS: .010 OF PLUNGER TRAVEL
  - 5  $\triangle$  REPLACEMENT MOUNTING HARDWARE PACKET 19PA71 WHICH CONTAINS STAINLESS STEEL HARDWARE
  - 6 - ELECTRICAL RATINGS APPLY AS SPECIFIED IN MIL-S-8805/40-1 UP TO 185°F
  - 7  $\triangle$  HARDWARE FURNISHED ASSEMBLED
  - 8 - SWITCH PLUNGER SEAL VITON ELASTOMER