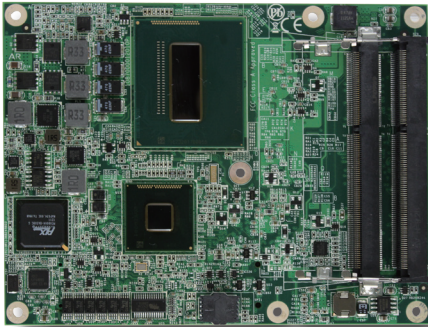


EmETXe-i87M0

Intel® 4th Generation Core™ COM Express Basic Type 6 CPU Module



Features

- Soldered onboard Intel® 4th Generation Core™ processor
- Integrated Gigabit Ethernet
- Dual channels 24-bit LVDS, Analog RGB, and 3 x DDI ports
- Supports 3 independent displays
- RAID 0, 1, 5, 10 supported
- Support Intel® Active Management Technology (Intel AMT)
- **Extended Operating Temp.: -20 ~ 70°C**

System

CPU	Intel® 4th Generation Core™ i5-4402E 1.6GHz processor
Memory	2 x DDR3L SO-DIMM sockets, supporting SDRAM up to 16GB
Chipset	Intel® PCH QM87
BIOS	AMI UEFI BIOS
Watchdog Timer	1~255 levels reset

I/O

USB Port	12 x USB ports: - 8 x USB 2.0 ports - 4 x USB 3.0 ports
Digital I/O	8-bit programmable Digital Input/Output
Expansion Bus	1 x PCIe x16 Gen3 lanes 8 x PCIe x1 Gen2 lanes
Storage	4 x Serial ATA ports: - 2 ports with 600MB/s HDD transfer rate - 2 ports with 300MB/s HDD transfer rate SATA RAID 0, 1, 5, 10 supported
Ethernet Chipset	1 x Intel® i217 PCIe GbE PHY
Audio	HD AUDIO link

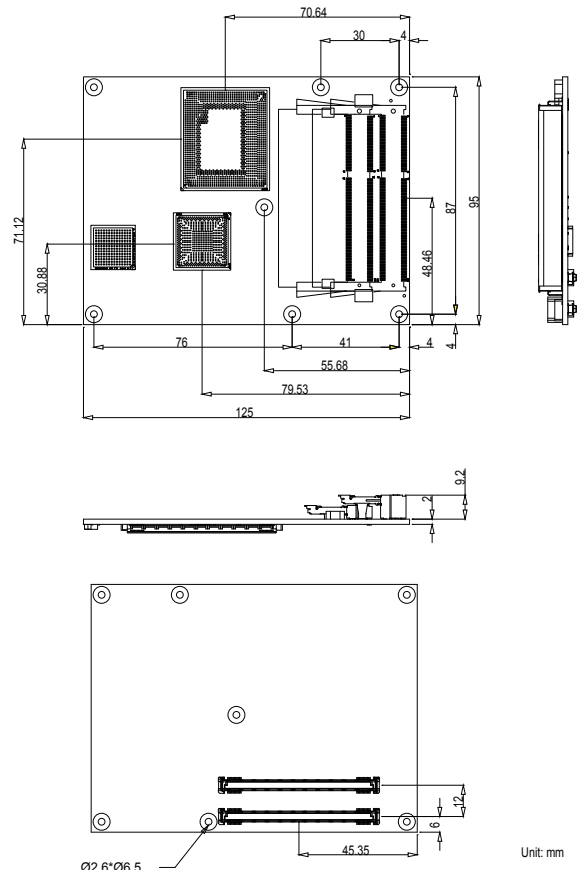
Display

Graphics Chipset	Integrated Intel® HD Graphics 4600
Graphics Interface	Analog RGB supports up to 1920x1200@60Hz LCD: Dual Channels 24-bit LVDS up to 1920 x 1200 @60Hz 3 x DDI ports

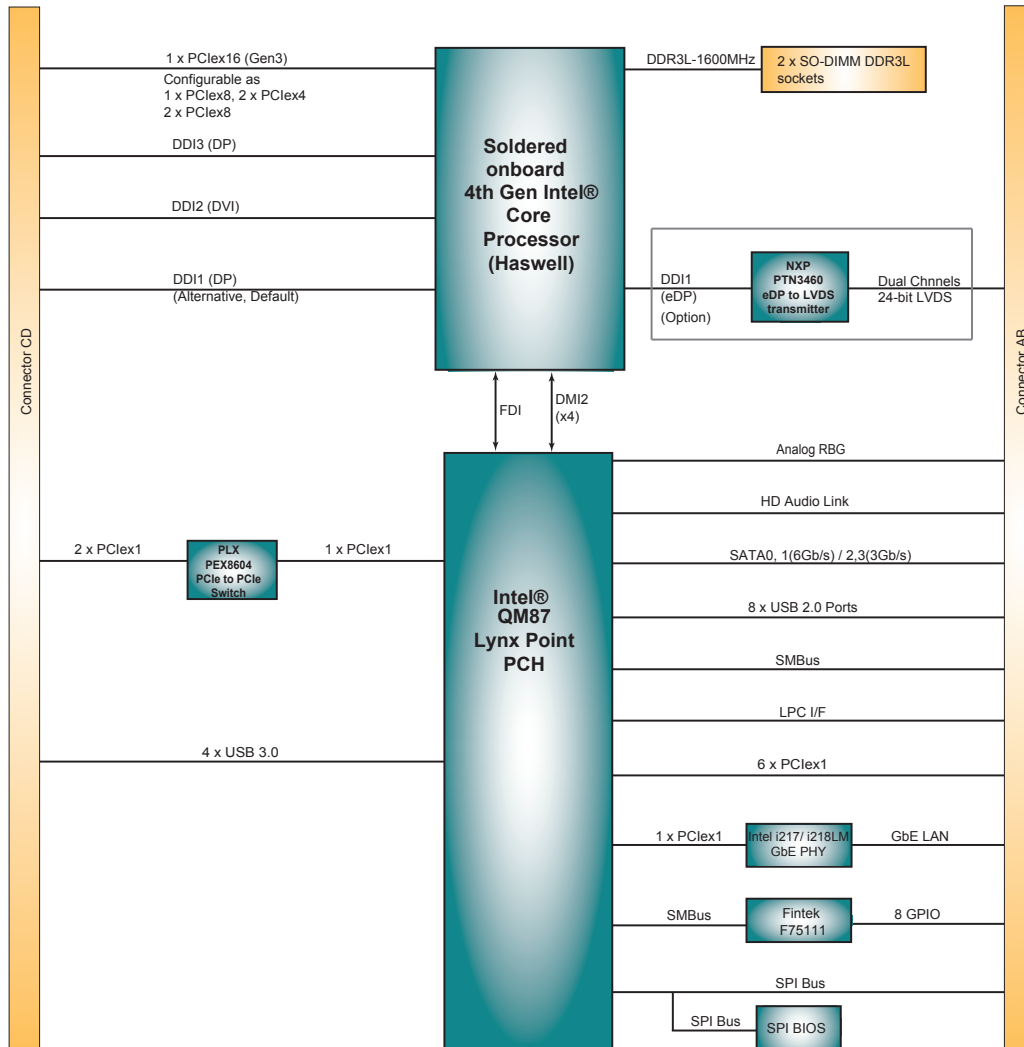
Mechanical & Environmental

Power Requirement	+12V
Power Consumption	3A @+12V
Operating Temp.	-20 ~ 70°C (-4 ~ 158°F)
Operating Humidity	10 ~ 95% @ 70°C (non-condensing)
Dimensions (L x W)	125 x 95 mm (4.9" x 3.7")

Dimensions



Block Diagram



Ordering Information

EmETXe-i87M0-4402E Intel® 4th Generation Core™ i5-4402E/ QM87 COM Express CPU module

Optional Accessories

HS-87M0-F1	Heat spreader (125x95x18mm)
HS-87M0-F2	Heat spreader (95x95x11mm)
HS-0000-W4	Universal evaluation heat sink kit w/ thermal pad (Dimensions: 125x95x22mm, only used on a flat-type heat spreader)
PBE-1702	COM Express type 6 evaluation carrier board (ATX form factor)
CBK-04-1702-00	Cable Kit <ul style="list-style-type: none"> • 1 x SATA cable • 2 x COM port cables • 1 x USB cable