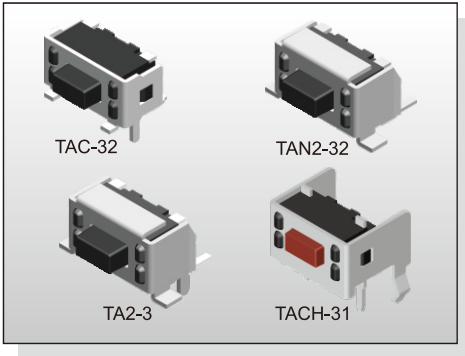


TACT SWITCH TA(C)(2)-3 SERIES

3.95x7.3 / 4.65x7.0
SMT & Side Push Type



FEATURES

- ※Side actuated
- ※Support/Ground pin option
- ※High solder strength

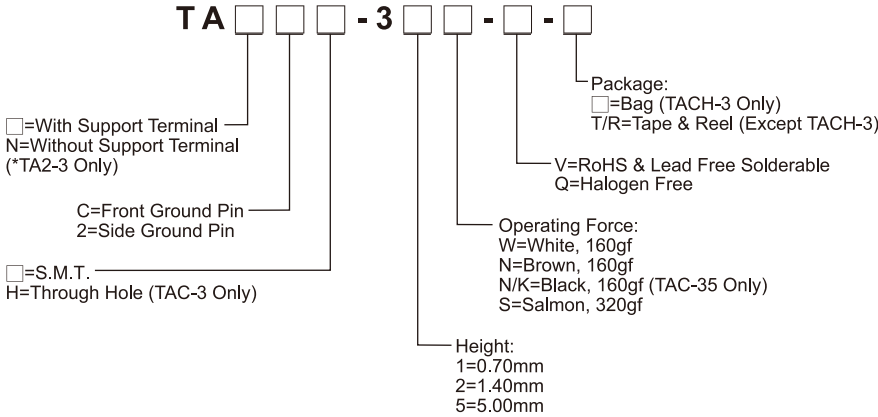
APPLICATION

- ※Data storage, Server
- ※Instrumentation
- ※Audio, OA equipment

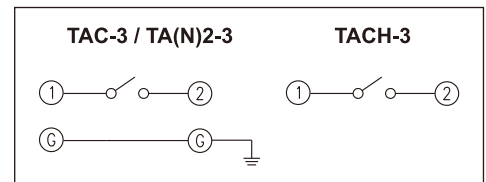
SPECIFICATION

| | | |
|-----------------------|---|-------|
| Contact Rating | 50mA, 12V DC | |
| Contact Resistance | 100mΩ max. | |
| Insulation Resistance | 100MΩ min. 500V DC | |
| Dielectric Strength | 250V AC/1 minute | |
| Operating Force | 160±50gf, 260±50gf | TAC-3 |
| | 160±50gf, White(W) | TA2-3 |
| | 160±50gf, Brown(N) 320±50gf, Salmon(S) | |
| Travel | 0.25mm | |
| Operating Life | 50,000 cycles | |
| Operating Temp. | -25°C ~ +70°C | |
| Storage Temp. | -40°C ~ +80°C | |

HOW TO ORDER



CIRCUIT

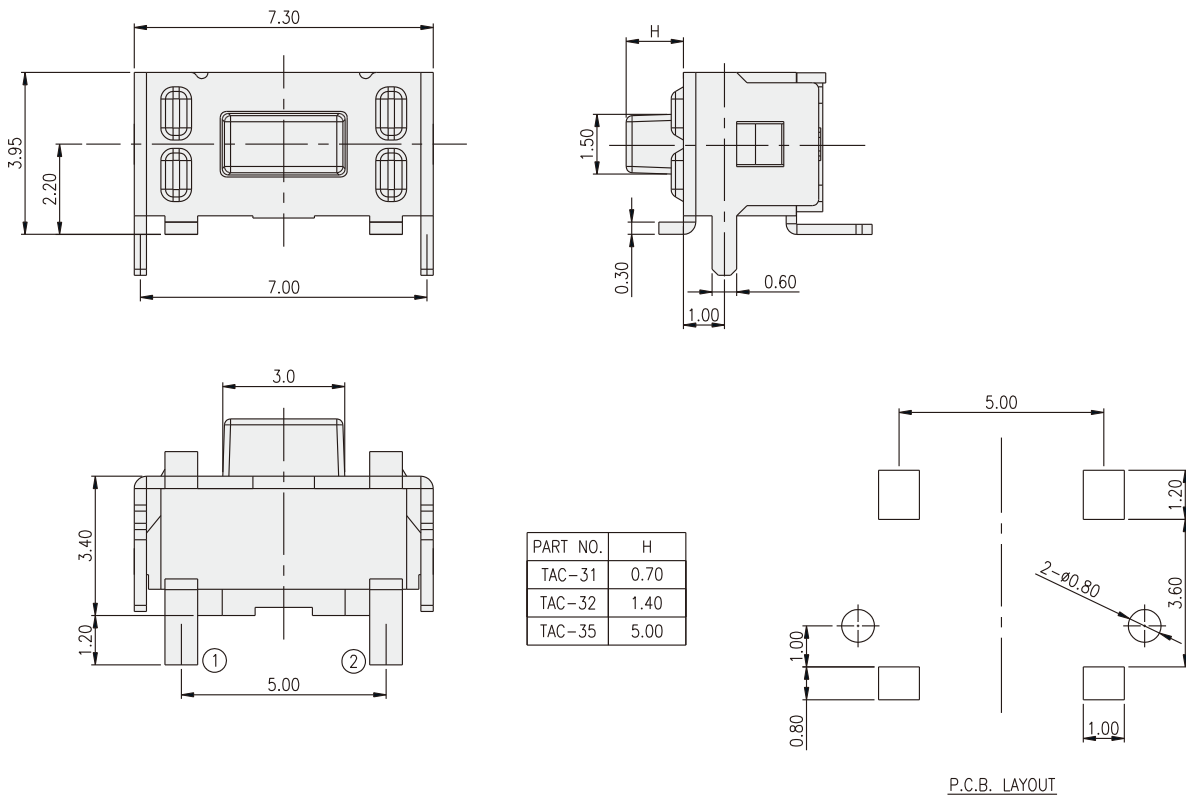


PACKAGE

<Bag>
500 pcs(TACH-3 Only)

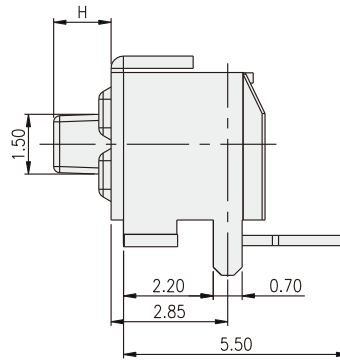
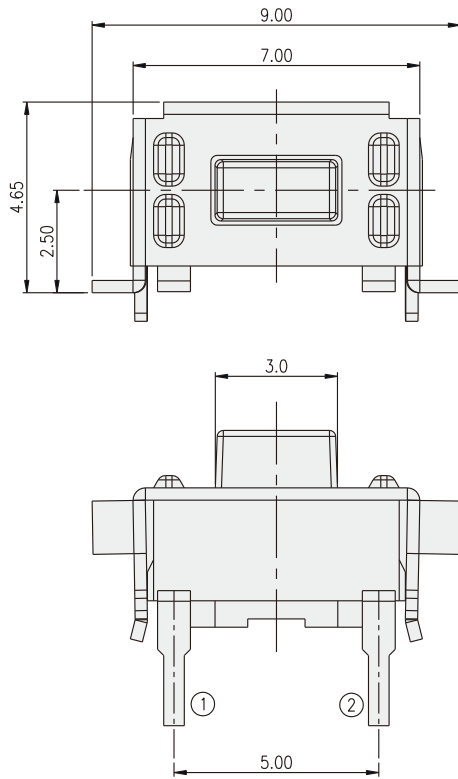
<Tape & Reel>
900 pcs

TAC-3

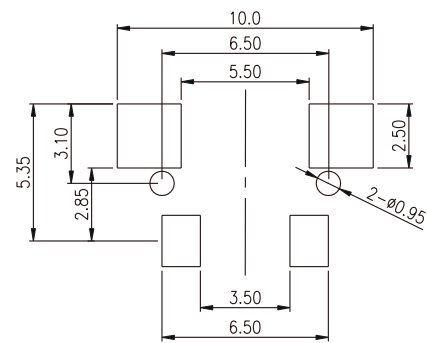


TACT SWITCH

TA2-3

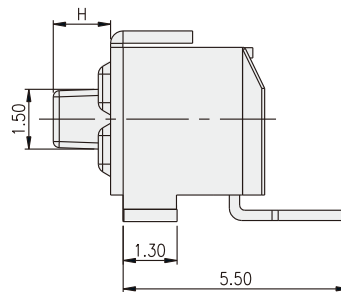
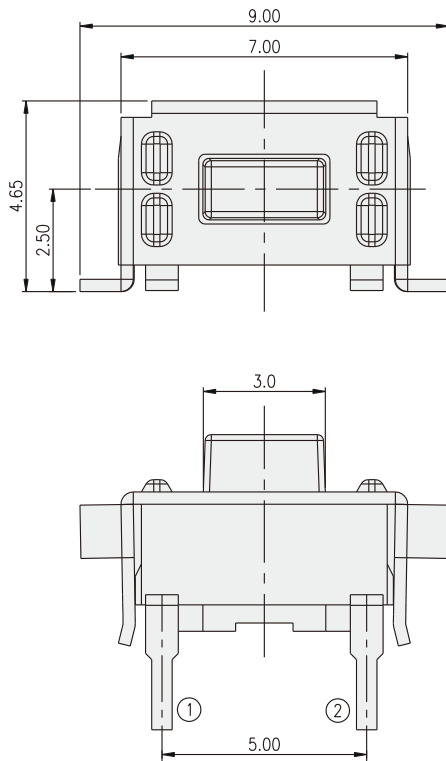


| PART NO. | H |
|----------|------|
| TA2-31 | 0.70 |
| TA2-32 | 1.40 |
| TA2-35 | 5.00 |

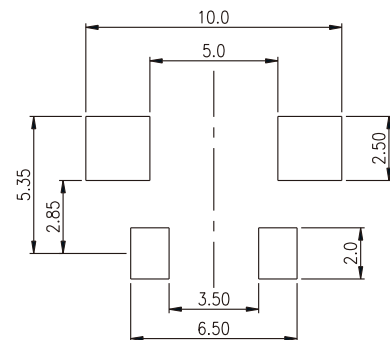


P.C.B. LAYOUT

TAN2-3



| PART NO. | H |
|----------|------|
| TAN2-31 | 0.70 |
| TAN2-32 | 1.40 |
| TAN2-35 | 5.00 |



P.C.B. LAYOUT

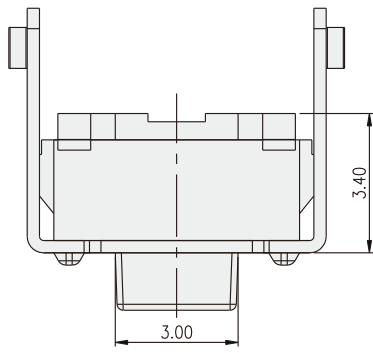
TACT SWITCH

TACT SWITCH
TA(C)(2)-3 SERIES

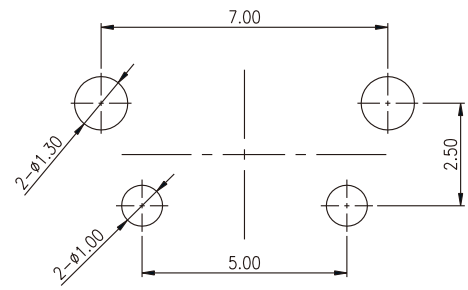
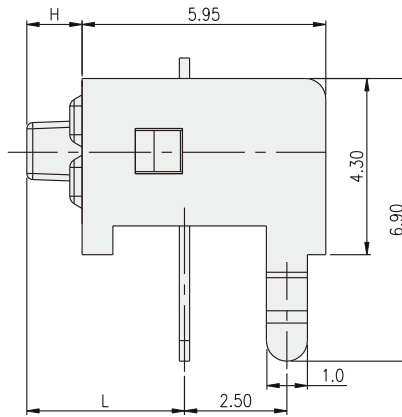
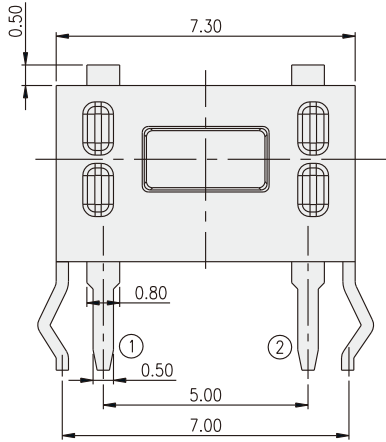
3.95x7.3 / 4.65x7.0
SMT & Side Push Type



TACH-3



| PART NO. | H | L |
|----------|------|------|
| TACH-31 | 0.70 | 3.15 |
| TACH-32 | 1.40 | 3.85 |
| TACH-35 | 5.00 | 7.45 |



P.C.B. LAYOUT

TACT SWITCH