

D1G133 Series Centrifugal Blower

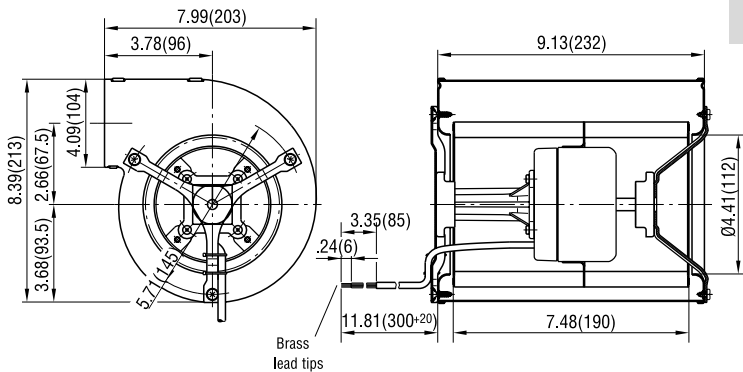
Ø 133mm



- DC dual inlet, forward curved centrifugal blower. Reverse polarity and locked-rotor protection.
- Housing and impeller made of galvanised sheet-steel. Forward curved impellers are directly press-fitted onto the rotor of the external-rotor motor.
- Direction of rotation is CW as seen on rotor.
- Includes support bearing. An Integrated external-rotor motor with rotating shaft on rotor side is anti-vibration mounted via a third bearing and fixed on both sides of the scroll.
- UL, CSA, VDE approvals on most models, please contact application engineering.

| Part Number | Curve | CFM @ 0 | VDC | Volt. Range | Power (W) | dBA | Max Amb. Temp C | Speed (RPM) | Wgt. (lbs) |
|----------------|-------|---------|-----|-------------|-----------|-----|-----------------|-------------|------------|
| D1G133-DC13-52 | 1 | 600.4 | 24 | 16 to 28 | 118 | 64 | 60 | 1580 | 7.50 |
| D1G133-DC17-52 | 1 | 600.4 | 48 | 36 to 57 | 118 | 64 | 60 | 1580 | 7.50 |

| | n [RPM] | P ₁ [kW] | η _{HL} [%] | Lp _A [dBA] | | n [RPM] | P ₁ [kW] | η _{HL} [%] | Lp _A [dBA] |
|---|---------|---------------------|---------------------|-----------------------|---|---------|---------------------|---------------------|-----------------------|
| 1 | ① 1700 | 145 | — | 65 | 1 | ⑤ 1400 | 78 | — | 60 |
| 1 | ② 1930 | 133 | 38 | 62 | 1 | ⑥ 1580 | 70 | 38 | 56 |
| 1 | ③ 2290 | 122 | 41 | 59 | 1 | ⑦ 1760 | 56 | 41 | 53 |
| 1 | ④ 2700 | 99 | 32 | 61 | 1 | ⑧ 2000 | 44 | 32 | 53 |
| 1 | ① 1580 | 118 | — | 64 | | | | | |
| 1 | ② 1790 | 107 | 38 | 61 | | | | | |
| 1 | ③ 2100 | 95 | 41 | 57 | | | | | |
| 1 | ④ 2410 | 73 | 32 | 58 | | | | | |



Curve

