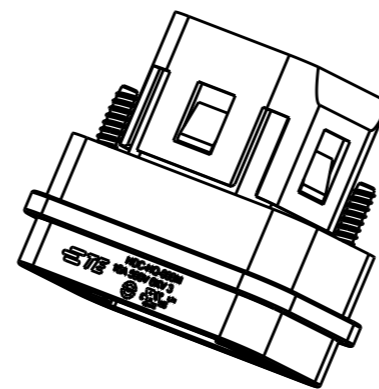
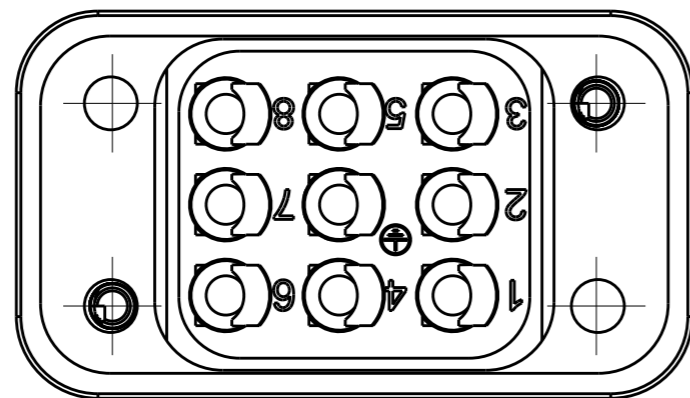


REVISIONS

P	LTR	DESCRIPTION	DATE	DWN	APVD
A		INITIAL RELEASE	31MAR2015	DL	CW
B		ECR-15-014706	10OCT2015	DL	CW
B1		ECR-16-000007	08JAN2016	YC	CW
B2		ECR-18-011761	13AUG2018	AL	CW



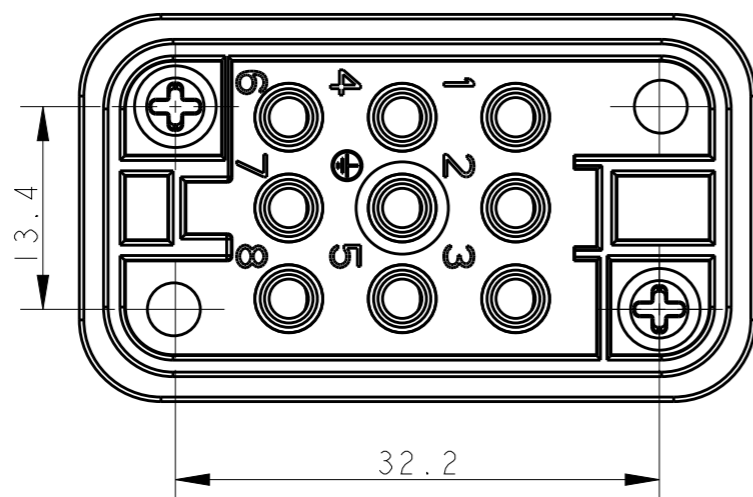
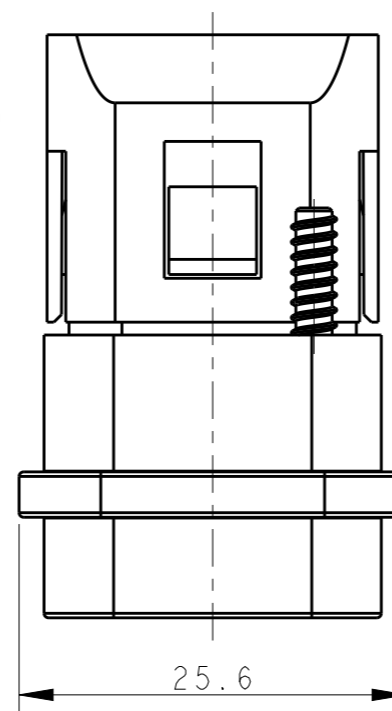
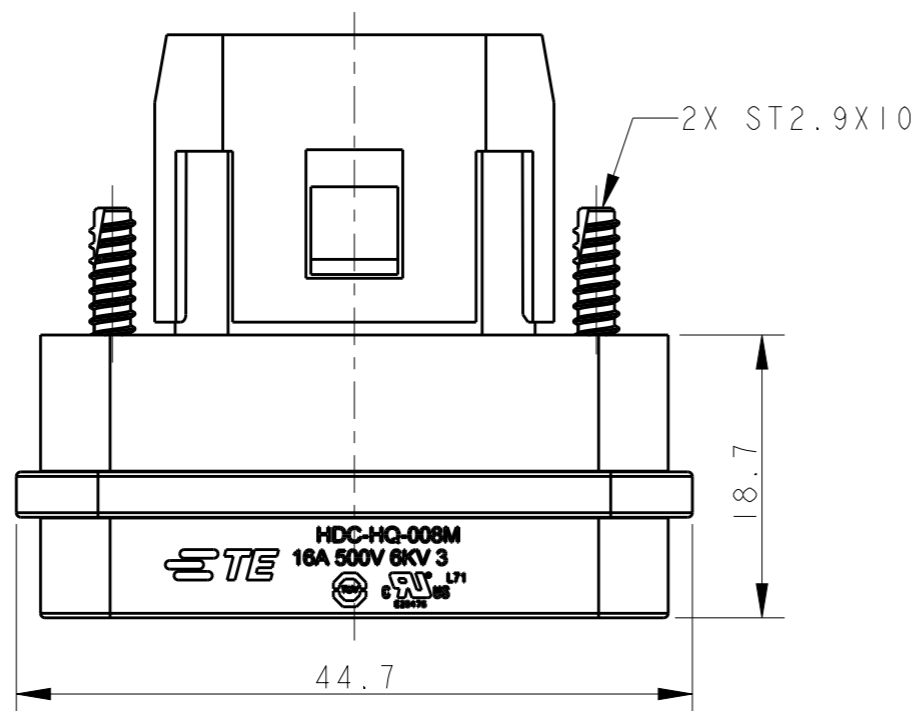
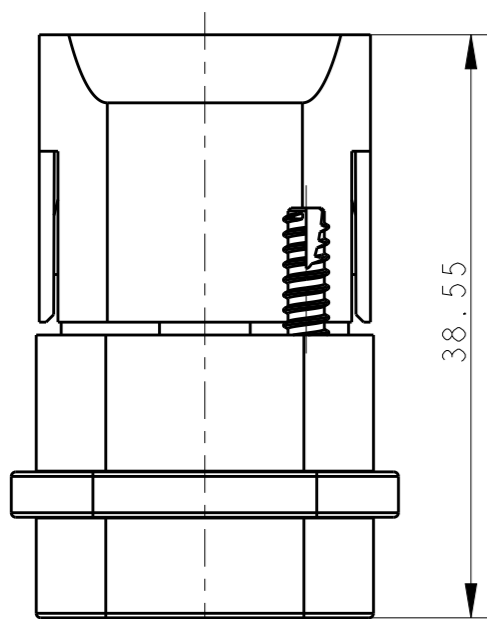
SCALE 1:1

NOTES:

- TECHNICAL CHARACTERISTICS:  
 INSULATION MATERIAL: PC  
 RATED VOLTAGE: 500 V  
 RATED CURRENT: 16 A  
 INSULATION RESISTANCE:  $\geq 400M\Omega$   
 RATED IMPULSE VOLTAGE: 6 KV  
 POLLUTION DEGREE: 3  
 FLAMMABILITY: UL94V-0  
 MATING CYCLES: 500 CYCLES  
 WIRE RANGE: 0.14-4.0 mm<sup>2</sup> (26-12 AWG)  
 CONTACT TYPE: CRIMP CONTACT
- CONTACT NEED TO BE ORDERED SEPARATELY.  
 (ORDER No. REFER TO DRAWING: T20300X10XX000)

注释:

- 技术参数:  
 绝缘材料: PC  
 额定电压: 500V  
 额定电流: 16A  
 绝缘电阻:  $\geq 400M\Omega$   
 额定脉冲电压: 6 KV  
 污染等级: 3  
 阻燃等级: UL94V-0  
 插拔次数: 500次  
 接线范围: 0.14-4.0 mm<sup>2</sup> (26-12 AWG)  
 接线类型: 冷压接
- 端子需要单独订购。  
 (订货号参考图面: T20300X10XX000)



T2019092101-000	HQ-008-M	HQ-008 MALE INSERT HQ-008 公插
PART NUMBER 料号	PART DESCRIPTION 描述	

THIS DRAWING IS A CONTROLLED DOCUMENT.

DIMENSIONS:	TOLERANCES UNLESS OTHERWISE SPECIFIED:
mm	
	0 PLC ±-
	1 PLC ±-
	2 PLC ±-
	3 PLC ±-
	4 PLC ±-
	ANGLES ±-
MATERIAL	FINISH
-	-
-	-

DWN	31MAR2015
DAVID LI	
CHK	31MAR2015
CHRIS WANG	
APVD	31MAR2015
XU XIANG	
PRODUCT SPEC	108-137115
APPLICATION SPEC	114-137115
WEIGHT	-
CUSTOMER DRAWING	

TE Connectivity		NAME	
		HQ-008-M	
SIZE	CAGE CODE	DRAWING NO	RESTRICTED TO
A3	-	©-T2019092101000	
SCALE		SHEET	REV
2:1		1 OF 1	B2