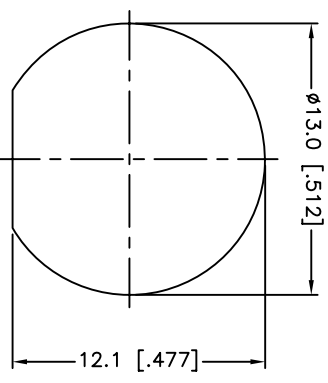
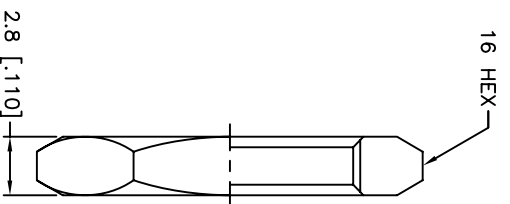
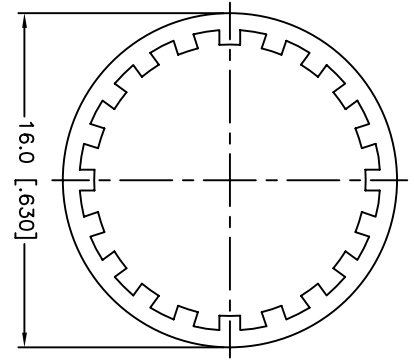
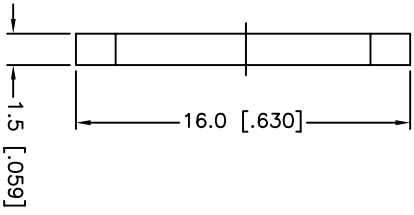
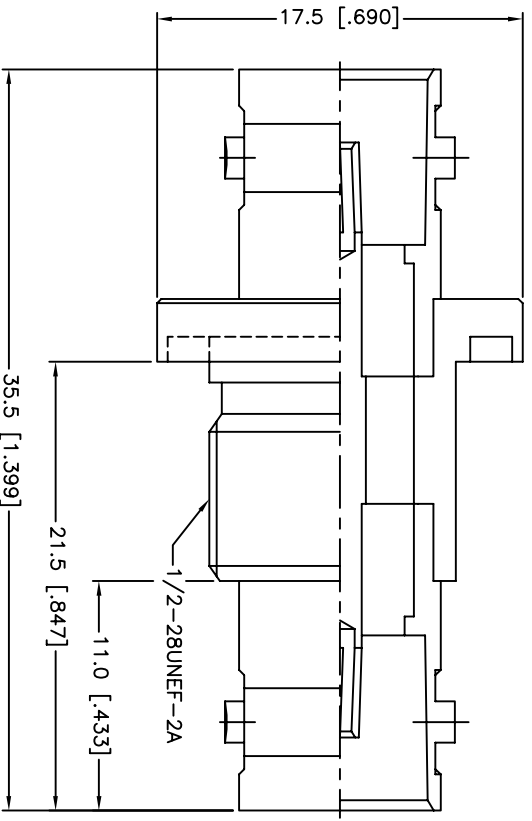


| REV. | DATE     | ECR NO. | DESCRIPTION     |
|------|----------|---------|-----------------|
| NC   | 10/12/09 | XXXXXX  | INITIAL RELEASE |



RECOMMENDED  
MOUNTING HOLE

| DESCRIPTION   | MATERIAL        | FINISH  | QTY |
|---------------|-----------------|---------|-----|
| 7 HEX NUT     | BRASS           | NICKEL  | 1   |
| 6 LOCK WASHER | BRASS           | NICKEL  | 1   |
| 5 GASKET      | RUBBER          | RED     | 1   |
| 4 CONTACT PIN | PHOSPHOR BRONZE | GOLD    | 1   |
| 3 INSULATOR   | DELFIN          | NATURAL | 1   |
| 2 BODY        | BRASS           | NICKEL  | 1   |
| 1 HOUSING     | BRASS           | NICKEL  | 1   |

UNLESS OTHERWISE SPECIFIED, DIMENSIONS ARE IN INCHES AND FOR CUSTOMER REFERENCE ONLY.  
TOLERANCES FOR MILLIMETERS ARE:  
UNLESS OTHERWISE SPECIFIED  
0.5 - 8mm ± 0.20mm  
8 - 30mm ± 0.40mm  
30 - 120mm ± 0.50mm  
TOLERANCES FOR INCHES ARE:  
UNLESS OTHERWISE SPECIFIED  
.020 - .315 = ± 0.007"  
.315 - 1.180 = ± 0.015"  
1.180 - 4.724 = ± 0.020"

| APPROVALS    | DATE     |
|--------------|----------|
| DRAWN Tangor | 10/12/09 |
| CHECKED      |          |
| ISSUED       |          |
| SHEET 1 OF 1 |          |

**Amphenol Connex**

PART DESCRIPTION  
**BNC FEMALE TO FEMALE BULKHEAD ADAPTOR**

PART NO. 112436

DWG. NO. 112436.DWG

REV. NC SIZE A SCALE NA

CAD FILE C:/CONNEX/112436.DWG

DO NOT SCALE DRAWING