

4

3


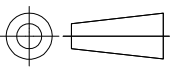
2

1

THIS DRAWING IS UNPUBLISHED. RELEASED FOR PUBLICATION
 © COPYRIGHT - BY TYCO ELECTRONICS CORPORATION. ALL RIGHTS RESERVED.

LOC		DIST		REVISIONS			
P	LTR	DESCRIPTION		DATE	DWN	APVD	
	A	-		2/14/08	SS	GS	

1	JACKSCREW TIP	212200-3
1	SLOTTED SPRING PIN	21118-4
1	JACKSCREW, ASSEMBLY	212201-2
-1	DESCRIPTION	PART NUMBER

THIS DRAWING IS A CONTROLLED DOCUMENT.		DWN S SCHLEGEL	14FEB2008	 Tyco Electronics Corporation Harrisburg, PA 17105-3608	
DIMENSIONS: INCHES		CHK G STEINHAUER	2/14/08	NAME JACKSCREW KIT, UNASSEMBLED, M SERIES	
		APVD G STEINHAUER	2/14/08	RESTRICTED TO	
TOLERANCES UNLESS OTHERWISE SPECIFIED:		PRODUCT SPEC		SIZE A3	
0 PLC	± -	APPLICATION SPEC		CAGE CODE 00779	DRAWING NO C-1986362
1 PLC	± -	WEIGHT		SCALE NTS	
2 PLC	± -	CUSTOMER DRAWING		SHEET 1 OF 1	REV A
3 PLC	± -				
4 PLC	± -				
ANGLES	± -				
MATERIAL	FINISH				
-	-				