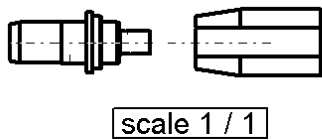
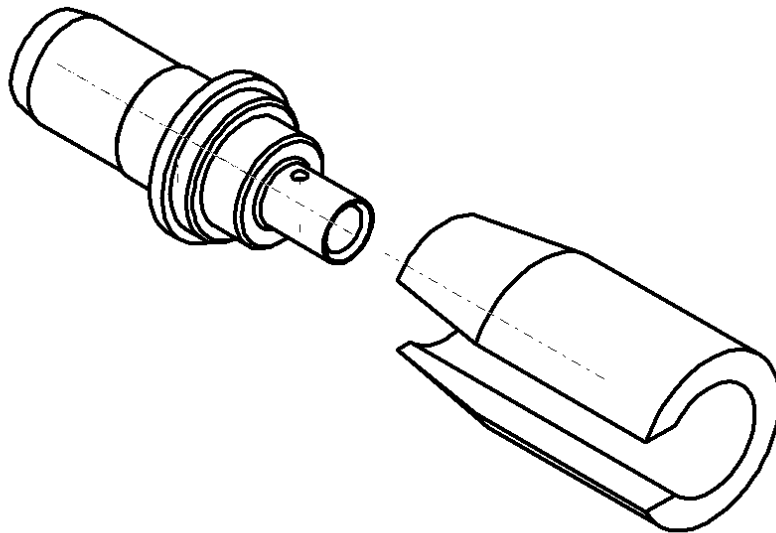
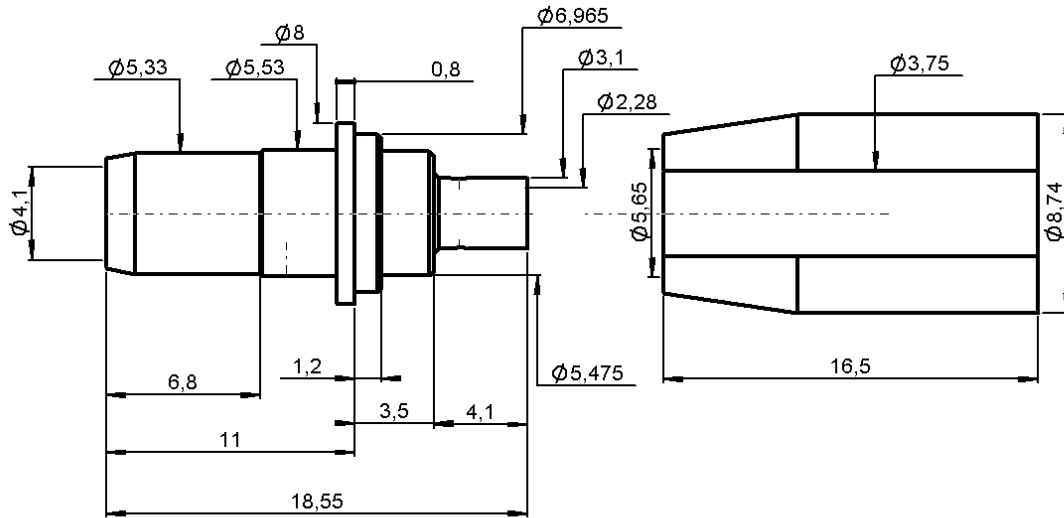


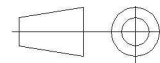
PANEL PRESS-IN STRAIGHT PLUG
SOLDERING ON SEMI - RIGIDE .085

R128.053.000

Series : BMA



All dimensions are in mm.



COMPONENTS	MATERIALS	PLATINGS (µm)
BODY	STAINLESS STEEL	GOLD OVER NICKEL
CENTER CONTACT	BERYLLIUM COPPER	GOLD OVER NICKEL
OUTER CONTACT	-	-
INSULATOR	PTFE	-
GASKET	-	-
OTHERS PARTS	-	-
-	-	-
-	-	-

Issue : 0422 B

In the effort to improve our products, we reserve the right to make changes judged to be necessary.



PANEL PRESS-IN STRAIGHT PLUG
SOLDERING ON SEMI - RIGIDE .085

R128.053.000

Series : **BMA**

PACKAGING

Standard	Unit	Other
1	-	Contact us

SPECIFICATION

ELECTRICAL CHARACTERISTICS

Impedance		50 Ω
Frequency		0-22 GHz
VSWR	1.05 +	0.010 x F(GHz) Maxi
Insertion loss		.03 √F(GHz) dB Maxi
RF leakage	- (AD - F(GHz)) dB Maxi
Voltage rating		335 Veff Maxi
Dielectric withstanding voltage		1000 Veff mini
Insulation resistance		5000 MΩ mini

CABLE ASSEMBLY

Stripping	a	b	c	d	e	f
mm	1.78	0.00	0.00	0.00	0.00	0.00

Assembly instruction :

Recommended cable(s)
KS 1
RG 405

Characteristics indicated on this data sheet are those that can be achieved with the highest performance cable. Intrinsic limitations of the cable may diminish the performance of the assembly

Cable retention

- pull off **136** N mini
- torque **NA** N.cm

MECHANICAL CHARACTERISTICS

Center contact retention		
Axial force – Mating end	27	N mini
Axial force – Opposite end	27	N mini
Torque	NA	N.cm mini

TOOLING

Part Number	Description	Hexagon
R282.740.000	SOLDERING MOUNTING	MONTAG E DE SOUDUR E
R282.062.000	POINTER GAUGE	APPOINT EUR
R282.051.000	STRIPPING TOOL	DENUDE UR
R282.860.100	SOLDERING POSITIONER	

Recommended torque		
Mating	NA	N.cm
Panel nut	NA	N.cm
Clamp nut	NA	N.cm
A/F clamp nut	0.000	mm

Mating life	0	Cycles mini
Weight	0.000	g

ENVIRONMENTAL

Operating temperature	-65/+125	°C
Hermetic seal	NA	Atm.cm3/s
Panel leakage	NA	

OTHERS CHARACTERISTICS

Issue : **0422 B**

In the effort to improve our products, we reserve the right to make changes judged to be necessary.

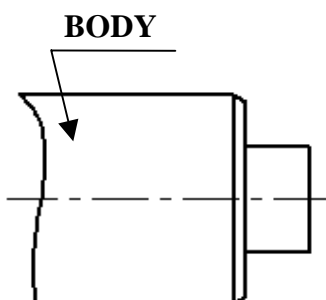


PANEL PRESS-IN STRAIGHT PLUG
SOLDERING ON SEMI - RIGIDE .085

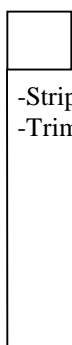
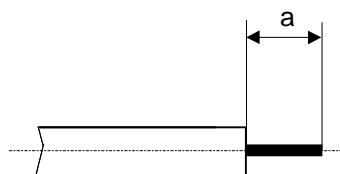
R128.053.000

Series : BMA

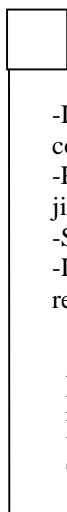
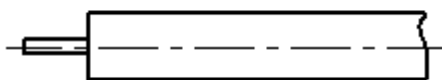
COMPONENTS



STIPPING DIMENSIONS

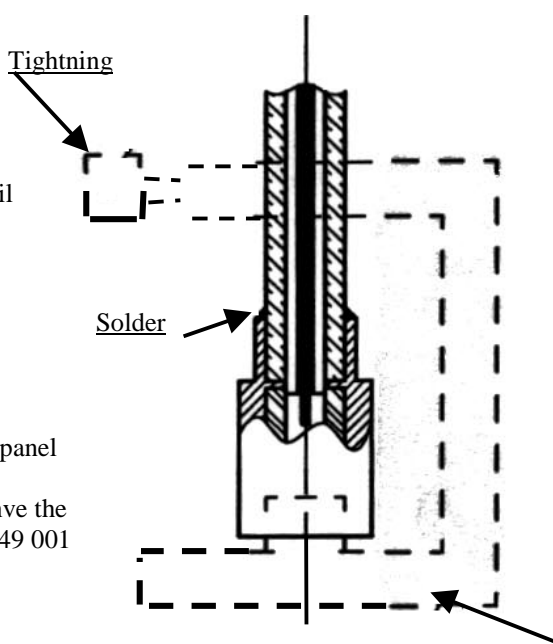


- Strip the cable with the cable stripping tool.
- Trim the cable inner conductor with the trimmer.



- Introduce the cable into the body until contact with the body shoulder..
- Place the sub-assembly on assembly jig
- Solder body on the cable.
- Let assembly cool down before removing it from the jig.

After assembling connector into the panel push the sleeve home.
 For disassembling connector remove the Sleeve and use extraction tool 282 549 001



Issue : 0422 B

In the effort to improve our products, we reserve the right to make changes judged to be necessary.



RADIALL ®