

Platinum Resistance Temperature Detector

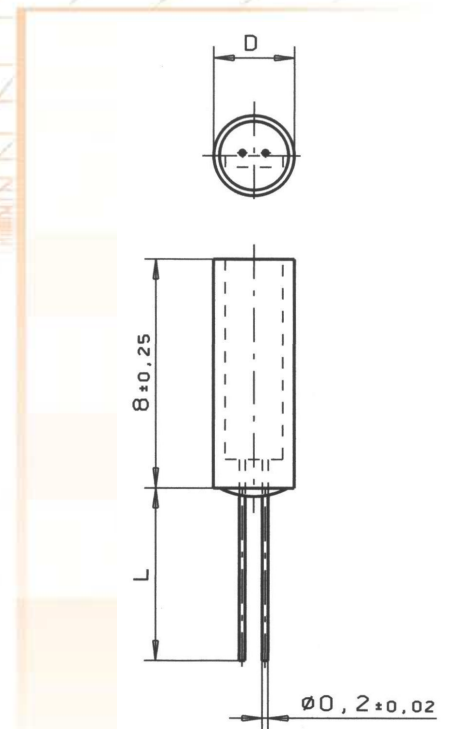
MR 828 and 845

MR series elements are designed for applications where high vibration resistance as well as high temperature stability are vital. Typical industrial applications include analytical and medical equipment, chemical plants and mechanical equipment. Small tolerances on diameter allow problem free installation in protective tubes.

Type	Tolerance DIN EN 60751 1996-07	Tolerance DIN EN 60751 2009-05	Order Number	Diameter D in mm
1 Pt 100 MR 828	Class B	F 0.3	32 209 340	2,8 ^{±0,3}
1 Pt 500 MR 828			32 209 341	2,8 ^{±0,3}
1 Pt 1000 MR 828			32 209 342	2,8 ^{±0,3}
2 Pt 100 MR 828			32 209 343	2,8 ^{±0,3}
2 Pt 1000 MR 828			32 209 345	2,8 ^{±0,3}
1 Pt 100 MR 845			32 209 346	4,5 ^{±0,3}
1 Pt 500 MR 845			32 209 347	4,5 ^{±0,3}
1 Pt 1000 MR 845			32 209 348	4,5 ^{±0,3}
2 Pt 100 MR 845			32 209 349	4,5 ^{±0,3}
2 Pt 500 MR 845			32 209 350	4,5 ^{±0,3}
2 Pt 1000 MR 845			32 209 351	4,5 ^{±0,3}

The measuring point for the basic value is situated at 8 mm from the end of the sensor body

Specification	DIN EN 60751
Nominal resistance	100Ω; 500Ω and 1000Ω at 0°C
Temperature range	-70°C to +500°C (continuous operation) Temporary use to 550°C possible Tolerance Class B: -70°C up to +500°C
Temperature coefficient	TCR = 3850 ppm/K
Leads	Pt clad Ni- wire
Lead lengths (L)	6 mm +2 / -1mm
Longterm stability	max. R ₀ -drift 0.1% after 1000h at 500°C
Vibration resistance	according to DIN EN 60751
Environmental conditions	unhoused for dry environments only
Insulation resistance	> 100 MΩ at 20°C; > 2 MΩ at 500°C
Measuring current	100Ω 0.3 to 1.0mA 500Ω 0.1 to 0.7mA 1000Ω 0.1 to 0.3mA (self heating has to be considered)
Response time	Water (v= 0.4m/s) Air (v= 2m/s) MR 828: t _{0,5} = 0.9s t _{0,9} = 2.7s t _{0,5} = 12.3s t _{0,9} = 39.5s MR 845: t _{0,5} = 1.5s t _{0,9} = 4.6s t _{0,5} = 24.8s t _{0,9} = 78.8s
Self heating	MR 828 (Pt 100/500/1000): 0.05 K/mW at 0°C MR 828 (2 Pt 100/1000): 0.16 K/mW at 0°C MR 845 (Pt 100/500/1000): 0.04 K/mW at 0°C MR 845 (2 Pt 100/1000): 0.08 K/mW at 0°C
Packaging	blister reel
Note	Other tolerances, values of resistance and wire lengths are available on request.



We reserve the right to make alterations and technical data printed. All technical data serves as a guideline and does not guarantee particular properties to any products.

Heraeus Sensor Technology USA

1901 Route 130
North Brunswick, NJ 08902
Phone 732-940-4400 Fax 732-940-4445
Email info.hst-us@heraeus.com
www.hst-us.com

Name of document: 30910032 Index A
Status: 10/2009