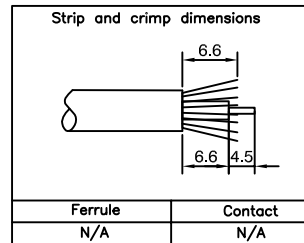
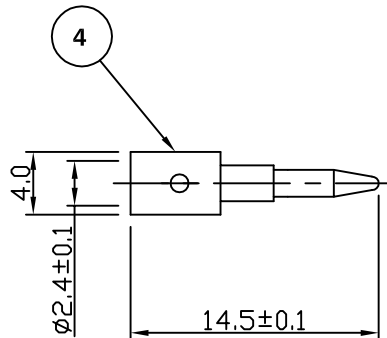
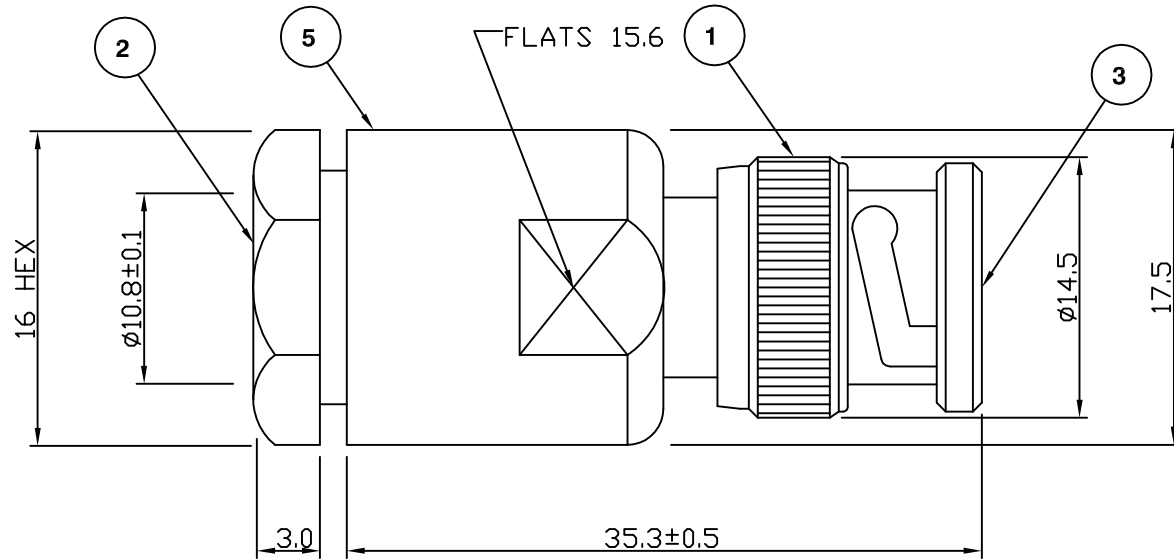


RoHS COMPLIANT



For stripping and assembly instructions see Drawing Number: VAIB1205

**Electrical Characteristics**

Nominal Impedance:	50 ohms
Frequency Range:	DC to 4 GHz
VSWR:	1.35:1 maximum
Insertion Loss:	0.2 dB at 3 GHz
Operating Voltage (rms):	500 V maximum at sea level
Dielectric Withstand Voltage (rms):	1500 V maximum at sea level
Contact Resistance:	1.5 milliohms maximum
Insulation Resistance:	5000 megohms minimum

**Mechanical Characteristics**

Mating Cycles:	500 cycles minimum
Interface Dimensions:	Conform to MIL-C-39012

**Environmental Characteristics**

Temperature Range:	-55 °C to +85 °C
--------------------	------------------

	PART	DESCRIPTION
1	Shell	Brass, nickel plated 1.78 µm
2	Clamp Nut	Brass, nickel plated 1.78 µm
3	Dielectric	Delrin, white
4	Contact	Brass, gold plated 0.076 µm - 0.127 µm
5	Body	Brass, nickel plated 1.78 µm

DESCRIPTION OF REVISION	APPVD	ISS	DATE
Drawing Update	JT	5	12 May 10
RG214 deleted from Description	MS	4	30 Oct 08
Amended Dimintions	KA	3	30 Aug 07
CAD Issue	SN	2	24 Jan 02
First Issue	YL	1	08 June 94



Cinch Connectivity Solutions  
 7-13 Russel Way,  
 Widford Industrial Estate,  
 Chelmsford, Essex,  
 CM1 3AA, UK.  
 Tel: +44 (0) 1245 359515  
 Fax: +44 (0) 1245 358938

SCALE: Not To Scale

DIMENSIONS: mm

TOLERANCES:  
 ± 0.2mm unless  
 otherwise stated

DRAWN BY:

S Nash

CHECKED BY:

P Couzens

APPROVED BY:

P Couzens

DATE:

24 Jan 02

TITLE:

BNC Clamp Plug for  
 RG213, RG11

PART NUMBER:

**VBS10-2020**

PAGE: 1 of 1