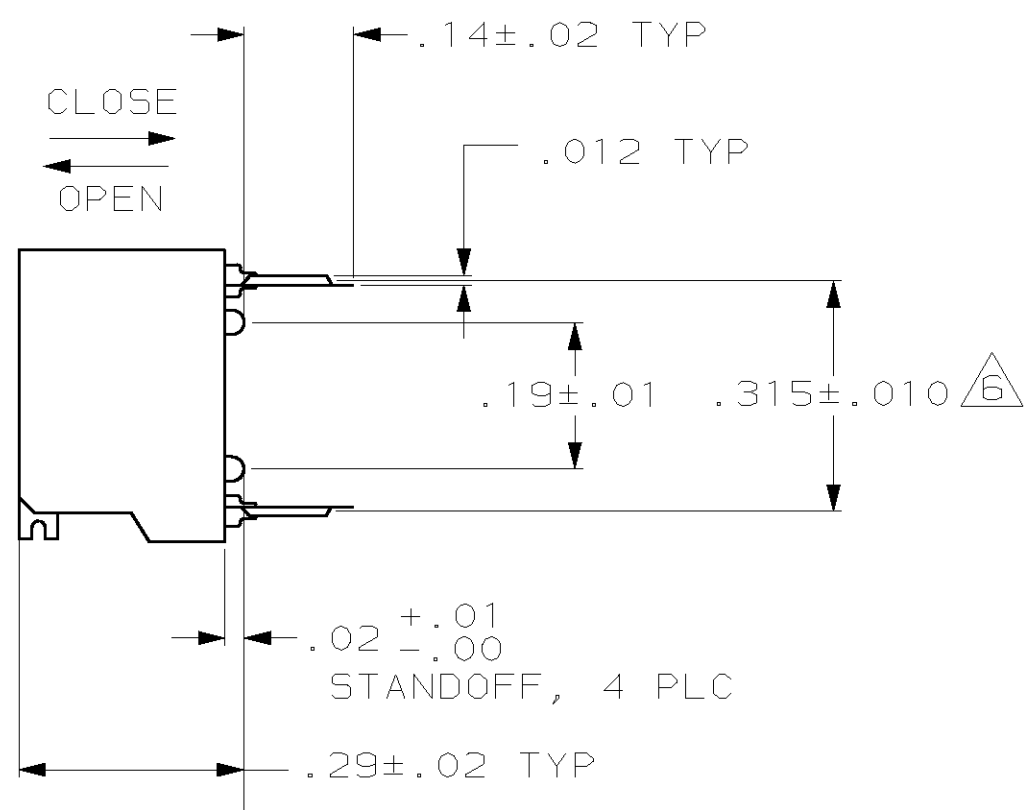
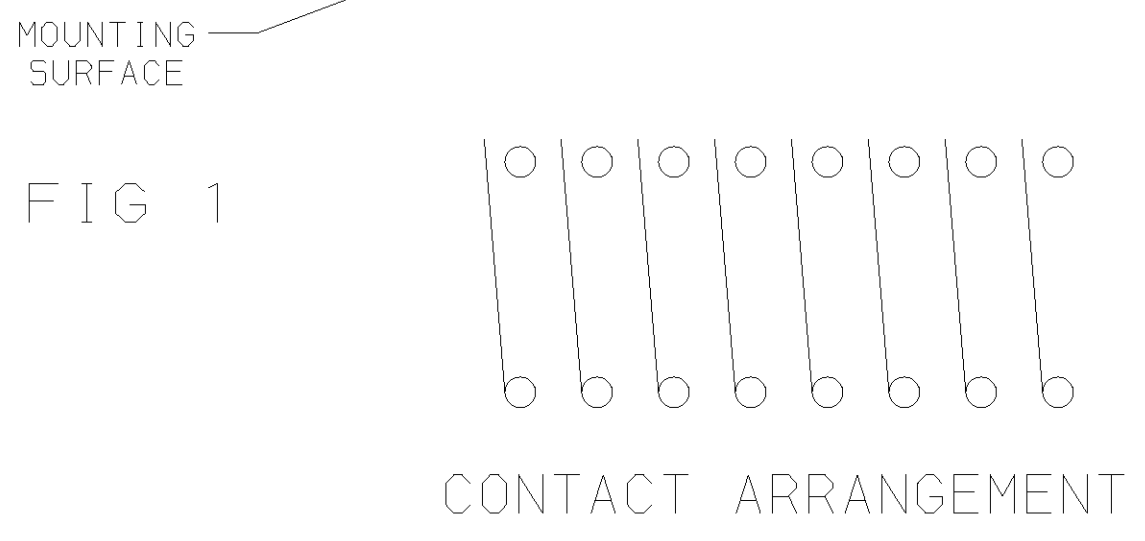
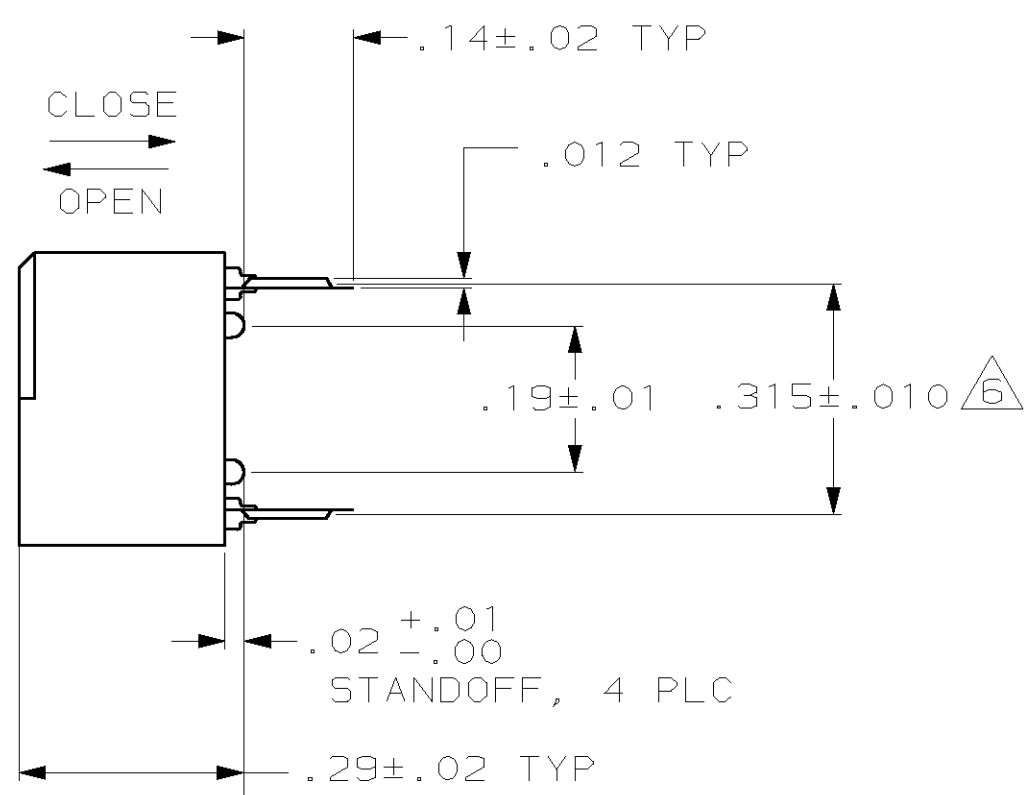
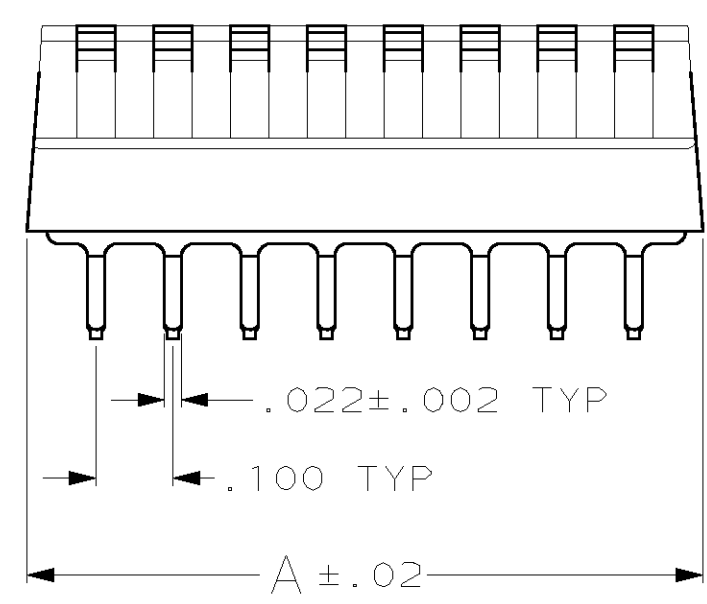
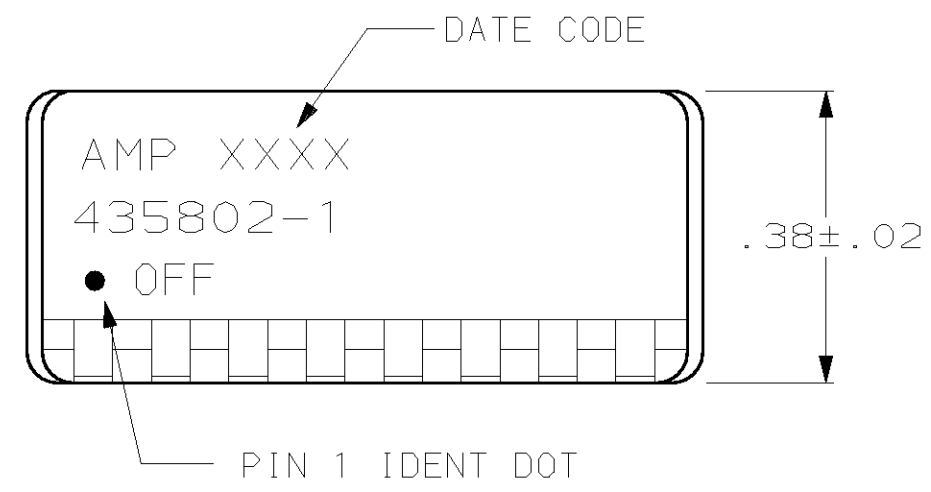
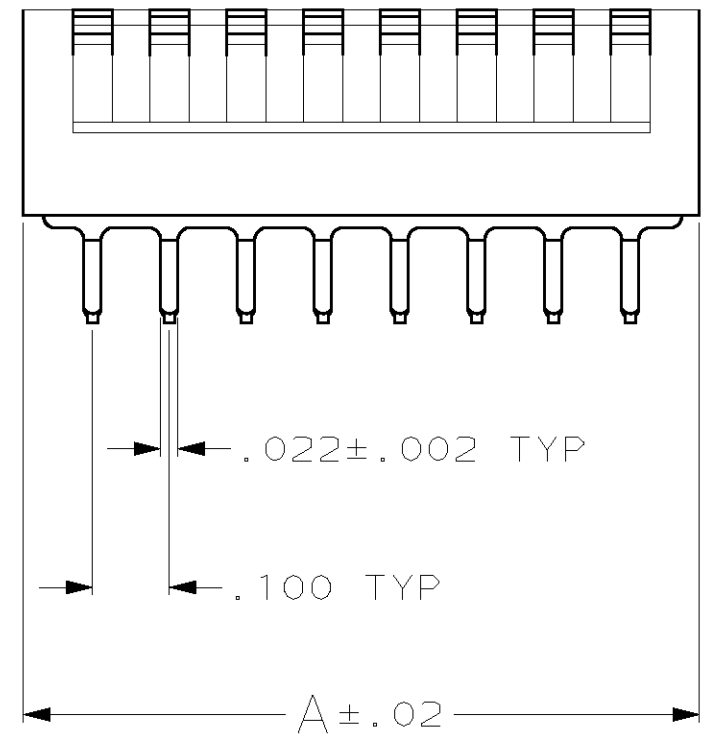
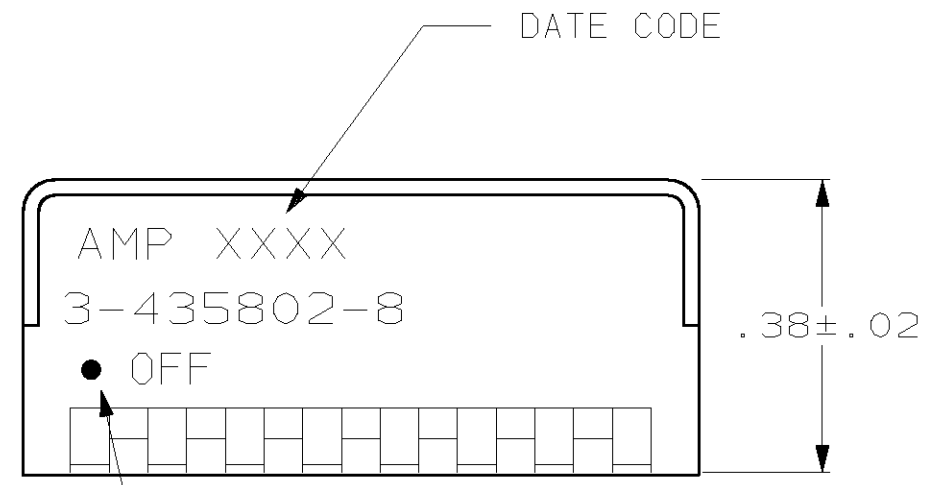


LOC	DIST	REVISIONS					
AG	1	P	LTR	DESCRIPTION	DATE	DWN	APVD
		AL		REV PER 063C-0045-02	09JUL02	RB	HW



- FOR ADDITIONAL SPECIFICATIONS SEE AMP PRODUCT SPEC 108-7519.
 - SWITCH SHOWN IN OPEN POSITION.
 - ALL CHARACTERS AND ROCKERS ARE WHITE, HOUSING IS BLACK.
 - STAMPING WILL VARY ON 2 AND 3 POSITION TOPS DUE TO SPACE RESTRICTIONS.
- 5 STRIPPABLE TRANSPARENT SEAL, SEE FIG 6.
 6 .315 DIMENSION APPLIES AT TERMINAL TIPS. TERMINALS ARE .300 ^{+.010}/_{-.000} AT MOUNTING SURFACE.
 7 NO POSITION MARKING.
 8 NO PART NO. MARKING.
 9 STRIPPABLE TAPE SEAL, SEE FIGURE 8.

FIG	FIG	FIG	PROTECTIVE SEAL	NO OF POSN	PART NO	
FIG 2	FIG 3A& 7	---	---	1.08	10	6-435802-3
FIG 1	FIG 3B	9	---	.88	8	3-435802-8
SUPSD BY 1-435802-6	FIG 2	7 8	5	.58	5	3-435802-1
	FIG 2	7 8	5	.88	8	3-435802-0
	FIG 2	7 8	5	.48	4	2-435802-9
SUPSD BY 1-435802-0	FIG 1	7	---	.28	2	2-435802-8
SUPSD BY 1-435802-3	FIG 1	7	5	.28	2	2-435802-7
OBSOLETE	FIG 2	7	5	1.08	10	2-435802-6
OBSOLETE	FIG 2	FIG 4	---	.88	8	2-435802-5
OBSOLETE	FIG 2	7	5	.88	8	2-435802-4
OBSOLETE	FIG 2	FIG 3A& 5	---	.48	4	2-435802-3
FIG 2	FIG 3A	5	---	1.28	12	2-435802-2
FIG 2				1.18	11	2-435802-1
FIG 2				1.08	10	2-435802-0
FIG 2				.98	9	1-435802-9
FIG 2				.78	7	1-435802-8
FIG 2				.68	6	1-435802-7
FIG 2				.58	5	1-435802-6
FIG 2				.48	4	1-435802-5
FIG 2				.38	3	1-435802-4
FIG 2				.28	2	1-435802-3
SUPSD BY 3-1437590-2	FIG 1	FIG 3B	5	1.28	12	1-435802-2
	FIG 1	FIG 3B	---	.28	2	1-435802-0
	FIG 2	FIG 3A	5	.88	8	435802-9
	FIG 2		---	1.08	10	435802-8
	FIG 2		---	.98	9	435802-7
	FIG 2		---	.78	7	435802-6
	FIG 2		---	.68	6	435802-5
	FIG 2		---	.58	5	435802-4
	FIG 2		---	.48	4	435802-3
	FIG 2		---	.38	3	435802-2
	FIG 2		---	.88	8	435802-1
	FIG 2		FIG 3A	---	.88	8

435802-1 SHOWN

THIS DRAWING IS A CONTROLLED DOCUMENT.		DWN	R. TALLEY	9-19-89
DIMENSIONS: INCHES		CHK	R. MILLER	9-19-89
TOLERANCES UNLESS OTHERWISE SPECIFIED:		APVD	H. LEITER	9-19-89
0 PLC ±		NAME		
1 PLC ±		RAMP Incorporated		
2 PLC ±		Harrisburg, PA 17105-3608		
3 PLC ±.005		AMP		
4 PLC ±		SWITCH ASSY, DIP, TYPE "C",		
ANGLES ±		7000 SERIES, SPST, SIDE ACTUATED		
MATERIAL	FINISH	WEIGHT	SCALE	SHEET
HOUSING & ROCKERS, POLYESTER	CONTACTS; PLATED .000030 MIN	-	A2	1
CONTACTS; BERYLLIUM COPPER	GOLD IN CONTACT AREA OVER .000050 MIN NICKEL	-	00779	2
CUSTOMER DRAWING		RESTRICTED TO		
		AL		

THIS DRAWING IS UNPUBLISHED. RELEASED FOR PUBLICATION
 (C) COPYRIGHT 19 BY AMP INCORPORATED. ALL RIGHTS RESERVED.

LOC	DIST	REVISIONS			
P	LTR	DESCRIPTION	DATE	DWN	APVD
AG	1	-	SEE SHEET 1	-	-

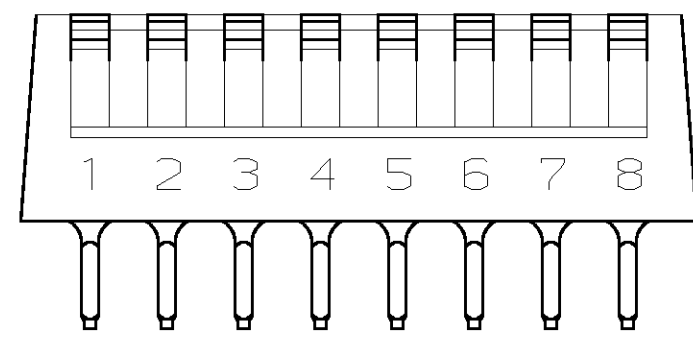


FIG 3A

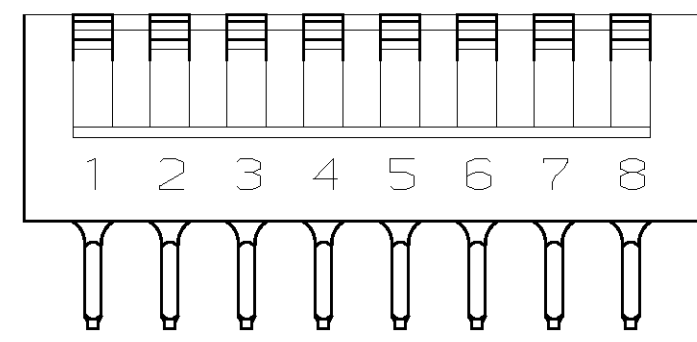


FIG 3B

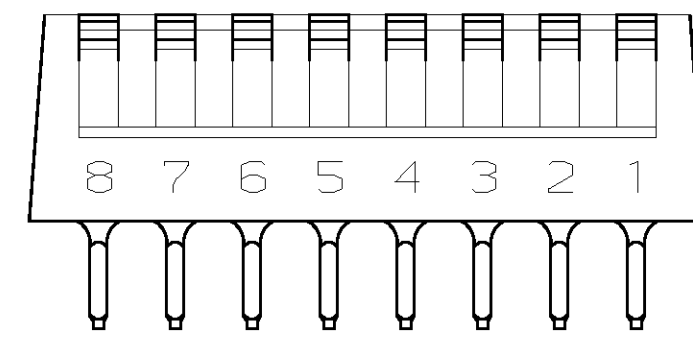


FIG 4

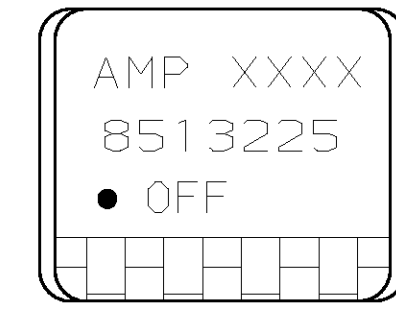
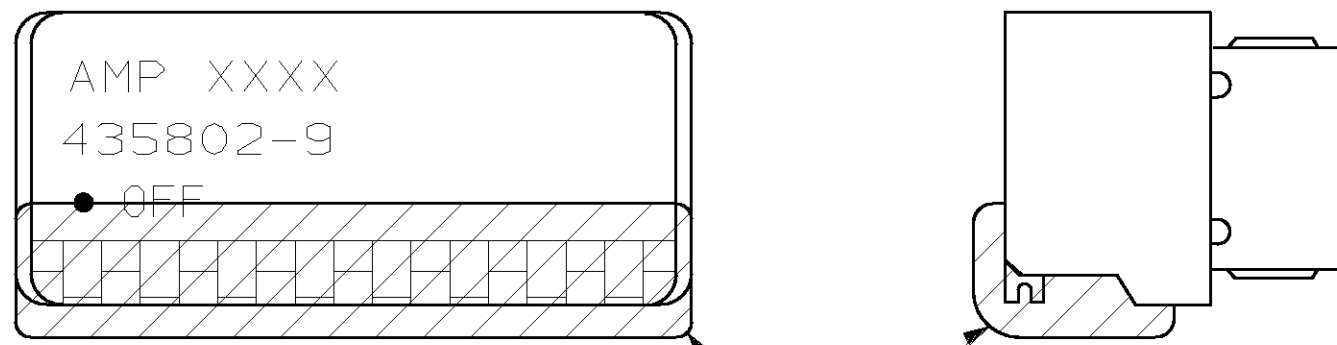
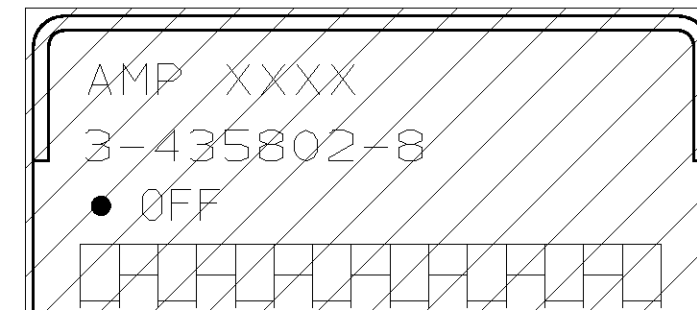


FIG 5



PROTECTIVE SEAL
FIG 6



PROTECTIVE SEAL

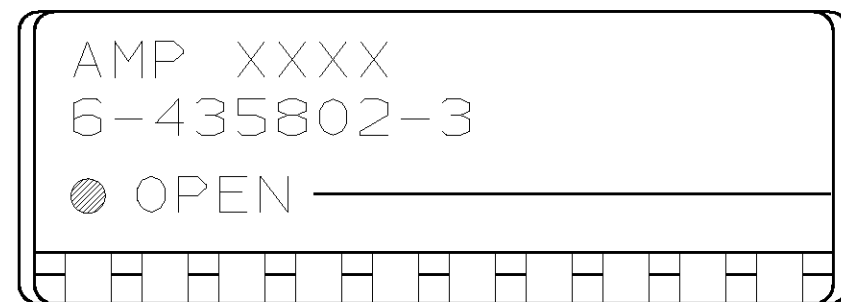


FIG 7

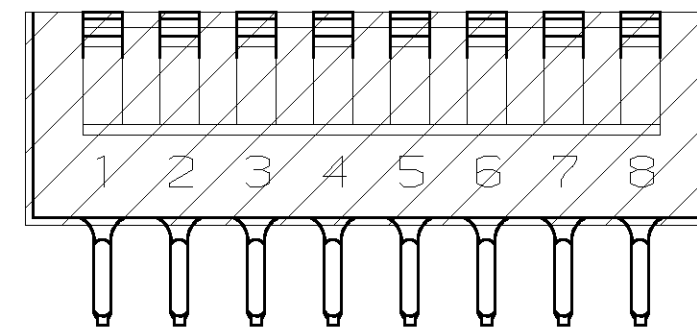


FIG 8

THIS DRAWING IS A CONTROLLED DOCUMENT.		DWN R. TALLEY 9-19-89	AMP Incorporated Harrisburg, PA 17105-3608	
DIMENSIONS: INCHES		CHK R. MILLER 9-19-89	NAME SWITCH ASSY, DIP, TYPE "C", 7000 SERIES, SPST, SIDE ACTUATED	
TOLERANCES UNLESS OTHERWISE SPECIFIED: 0 PLC ±- 1 PLC ±- 2 PLC ±- 3 PLC ±.005 4 PLC ±- ANGLES ±-		APVD H. LEITER 9-19-89	RESTRICTED TO	
MATERIAL SEE SHEET 1	FINISH SEE SHEET 1	PRODUCT SPEC -	SIZE A2	CAGE CODE 00779
CUSTOMER DRAWING		APPLICATION SPEC -	DRAWING NO 435802	REV AL
		WEIGHT -	SCALE 4:1	SHEET 2 OF 2