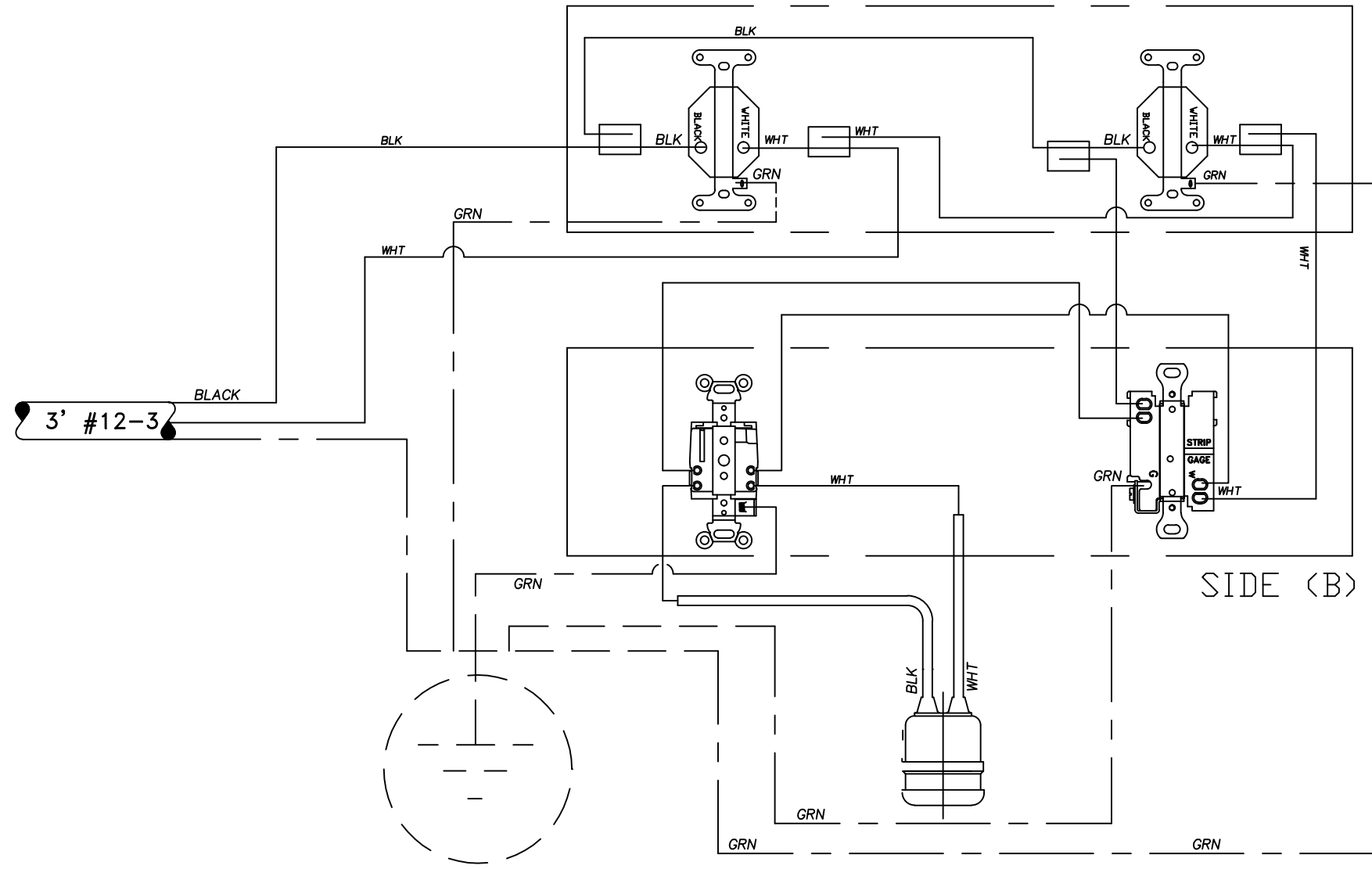
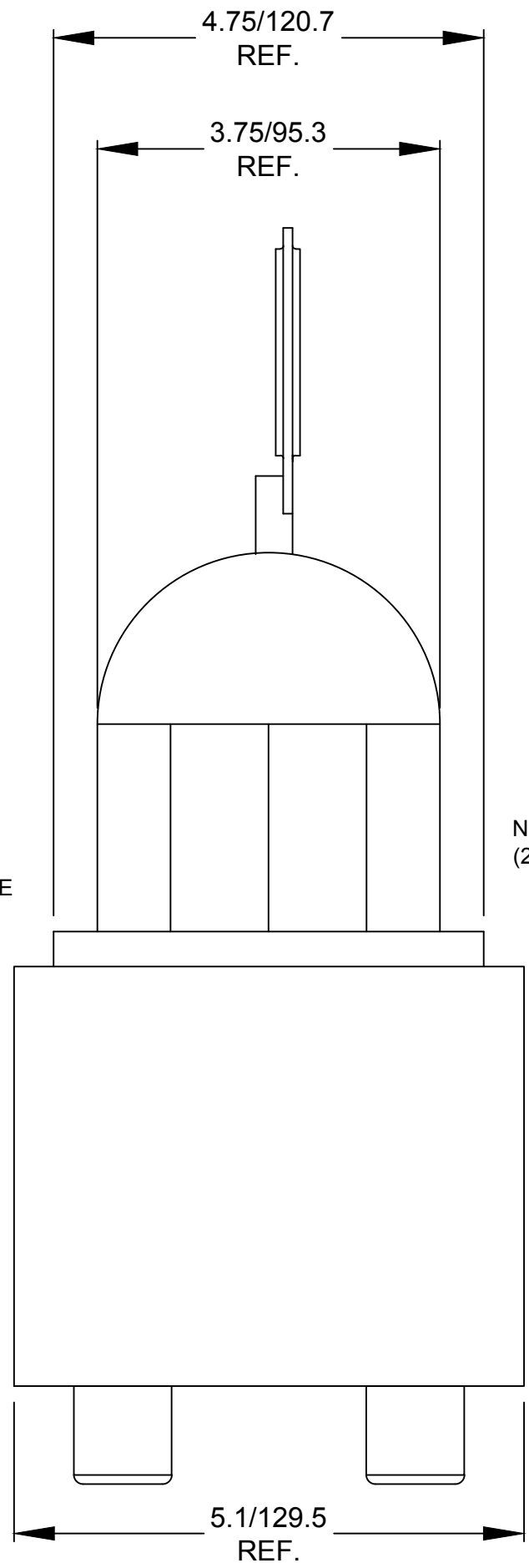


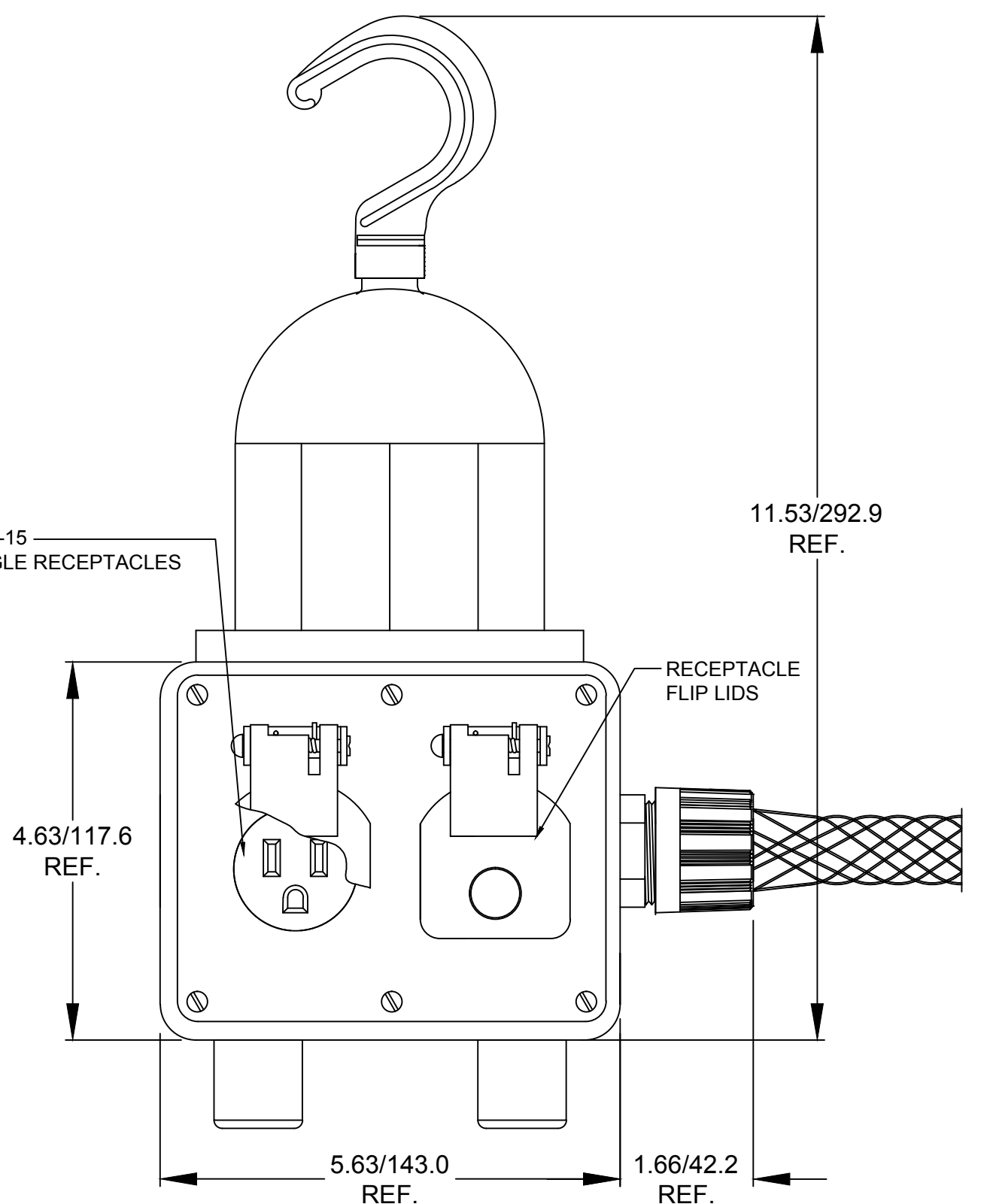
SIDE (A)



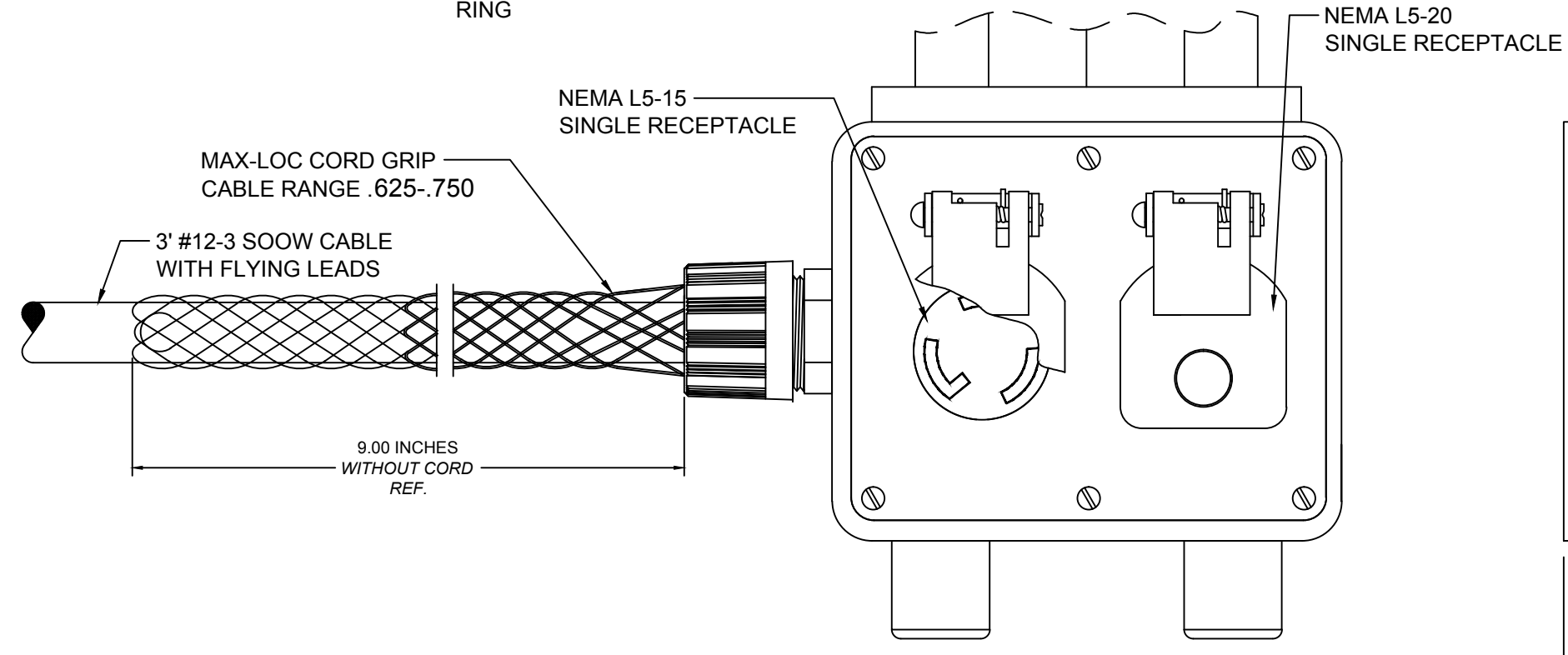
SIDE (B)



NEMA 5-15
(2) SINGLE RECEPTACLES



SIDE A (TWO NEMA 5-15 SINGLE RECPTACLES WITH FLIP LIDS)



SIDE B (ONE NEMA L5-15 SINGLE RECPTACLES AND ONE NEMA L5-20 SINGLE RECEPTACLE WITH FLIP LIDS)

RELEASE SALE DRAWING EC NO: IPG2016-0276 DRWN: HKNEELAN 2015/08/19 CHKD: HRUIZ 2015/08/19 APPR: JFMURPHY 2015/09/17	QUALITY SYMBOL ▽=0 ▽C=0	GENERAL TOLERANCES (UNLESS SPECIFIED)		DIMENSION STYLE INCH/MM		SCALE NTS	DESIGN UNITS INCH	THIRD ANGLE PROJECTION		
			mm	INCH	DRAWN BY	DATE	TITLE			
		4 PLACES	±---	±---	HKNEELAN	2015/08/19	3290 OUTLET BOX (2) 5-15 & (1) L5-15 & (1) L5-20 3' #12-3 SO			
		3 PLACES	±---	±.005	CHECKED BY	DATE				
		2 PLACES	±.13	±.010	HRUIZ	2015/08/19	MOLEX INCORPORATED			
1 PLACE	±.25	±.020	APPROVED BY	DATE						
		ANGULAR ±1/2°		JFMURPHY	2015/09/17	MATERIAL NO. 1301350401		DOCUMENT NO. SD-130135-054		
DRAFT WHERE APPLICABLE MUST REMAIN WITHIN DIMENSIONS				SIZE C		SHEET NO. 1 OF 1				
THIS DRAWING CONTAINS INFORMATION THAT IS PROPRIETARY TO MOLEX INCORPORATED AND SHOULD NOT BE USED WITHOUT WRITTEN PERMISSION										