

BROOKE-SCR-W

~40° wide beam and screw installation.

TECHNICAL SPECIFICATIONS:

| | |
|----------------|-------------|
| Dimensions | Ø 45.0 mm |
| Height | 20.2 mm |
| Fastening | glue, screw |
| ROHS compliant | yes ⓘ |

MATERIAL SPECIFICATIONS:

| Component | Type | Material |
|--------------|-----------|----------|
| BROOKE-SCR-W | Reflector | PC |



| Colour | Finish | Coating |
|--------|--------|---------|
| metal | | lacquer |

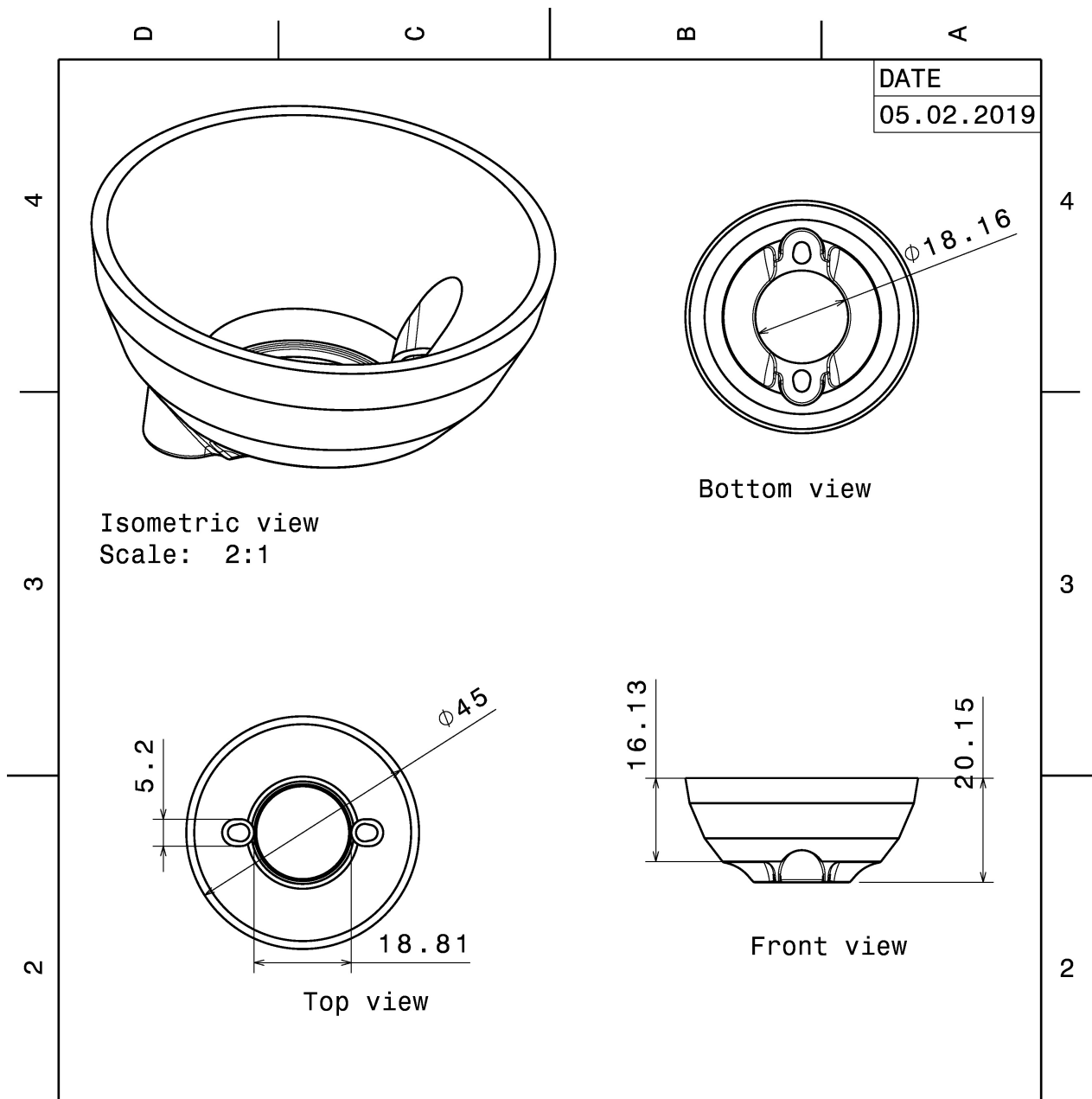
ORDERING INFORMATION:

Component

C12084_BROOKE-SCR-W

» Box size: 480 x 280 x 300 mm

| Qty in box | MOQ | MPQ | Box weight (kg) |
|------------|-----|-----|-----------------|
| 384 | 96 | 32 | 3.3 |



| |
|------------|
| DATE |
| 05.02.2019 |

Isometric view
Scale: 2:1

Bottom view

Top view
Ø45
18.81
5.2

Front view
16.13
20.15

| PART | TYPE | MATERIAL | COLOR / COATING |
|---------------------|------|----------|-----------------|
| C12084_BROOKE-SCR-W | | PC | metal |

| | | |
|--|-----------------------------|---|
| MECHANICAL DRAWING | | LEDiL[®] |
| PRODUCT BROOKE | | |
| Plastic moulding general tolerances according to DIN 16901-130 and applies if not otherwise shown in the drawing. Silicone moulding general tolerances according to ISO 3302-1 Class M3 and applies if not otherwise shown in the drawing. | FIRST ANGLE PROJECTION: | This drawing is the property of LEDiL Oy. It may not be copied or otherwise distributed without prior written permission from LEDiL Oy. |
| SCALE 1:1 | WEIGHT - | A4 SHEET 1/1 |

PHOTOMETRIC DATA (MEASURED):

CITIZEN

LED CL-L330
FWHM 43.0°
Efficiency 91 %
Peak intensity 1.2 cd/lm
LEDs/each optic 1
Light colour White
Required components:

CREE

LED CXA2011
FWHM 47.0°
Efficiency 92 %
Peak intensity 1 cd/lm
LEDs/each optic 1
Light colour White
Required components:

GENERAL INFORMATION:

NOTE: The typical beam angle will be changed by different color, chip size and chip position tolerance. The typical total beam angle is the full angle measured where the luminous intensity is half of the peak value.

Due to use of high power COB's with this product, special attention to proper thermal design is highly recommended. LEDiL has no liability for direct, indirect or consecutive damages arising from the LEDiL products being used outside of the recommended temperature range.

MATERIALS:

As part of our continuous research and improvement processes, and to ensure the best possible quality and availability of our products, LEDiL reserves the right to change material grades without notice.

PRODUCT DATA USER AGREEMENT AND DISCLAIMER:

The measured data in the provided downloadable LEDiL Product Datasheets and Mechanical 2D-Drawings is rounded and provided as reference for planning. LEDiL Oy's optical specifications have been verified by conducting performance testing of the products in accordance with the company's quality system. The reported data are averaged results of multiple measurements with typical variation. LEDiL Oy reserves the right to without prior notification make changes and improvements to its products.

LEDiL Oy assumes neither warranty, nor guarantee nor any other liability of any kind for the contents and correctness of the provided data. The provided data has been generated with highest diligence but the provided data may in reality not represent the complete possible variation range of all intrinsic parameters. Therefore, in certain cases a deviation from the provided data could occur.

LEDiL Oy reserves the right to undertake technical changes of its products without further notification which could lead to changes in the provided data. LEDiL Oy assumes no liability of any kind for the possible deviation from any provided data or any other damage resulting from the usage of the provided data.

The user agrees to this disclaimer and user agreement with the download or usage of the provided files.

LEDiL Oy

Joensuunkatu 13
FI-24240 SALO
Finland

LEDiL Inc.

228 West Page Street
Suite D
Sycamore IL 60178
USA

Local sales and technical support

www.ledil.com/where_to_buy

Shipping locations

Salo, Finland
Hong Kong, China

Distribution Partners

www.ledil.com/where_to_buy