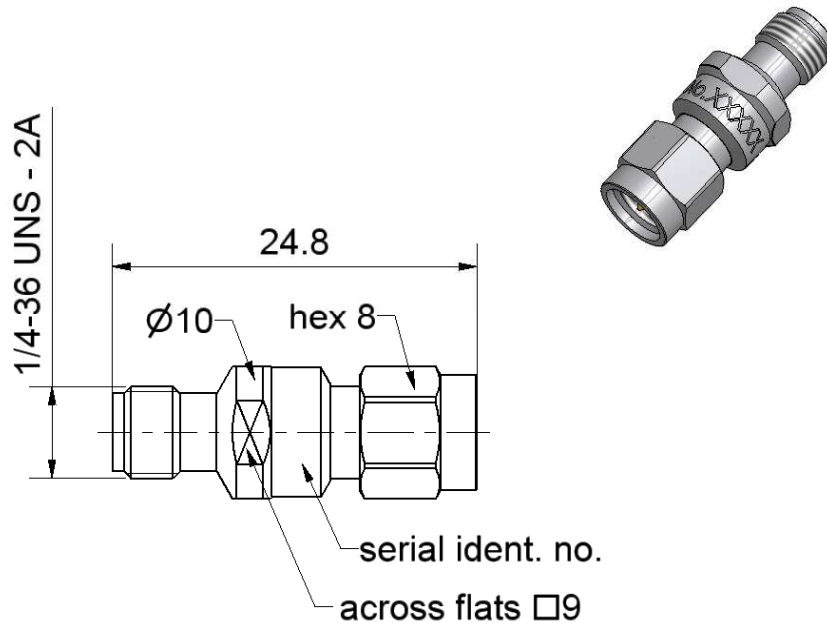


RPC-2.92 Attenuator Plug/Jack

**02AS102-K03S3**



All dimensions are in mm; tolerances according to ISO 2768 m-H

**Interface**

According to IEC 61169-35  
 Mechanically compatible with RPC-3.50 and SMA

**Documents**

N/A

**Material and plating**

**Connector parts**

Center conductor - plug  
 Center conductor - jack  
 Outer conductor  
 Coupling nut  
 Dielectric  
 Substrate

**Material**

CuBe  
 CuBe  
 Stainless steel  
 Stainless steel  
 PEEK  
 Al<sub>2</sub>O<sub>3</sub>

**Plating**

Gold, min. 1.27 µm, over nickel  
 Gold, min. 1.27 µm, over nickel  
 Passivated  
 Passivated

Dieses Dokument ist urheberrechtlich geschützt • This document is protected by copyright • Rosenberger Hochfrequenztechnik GmbH & Co. KG

RF\_35/09;14/6.2

RPC-2.92 Attenuator  
Plug/Jack

**02AS102-K03S3**

**Electrical data**

Impedance 50 Ω  
 Frequency range DC to 40 GHz  
 Return loss ≥ 26.4 dB, DC to 4 GHz  
 ≥ 19.1 dB, 4 GHz to 40 GHz  
 Attenuation 3 dB ± 0.3 dB, DC to 4 GHz  
 3 dB ± 0.5 dB, 4 GHz to 35 GHz  
 3 dB ± 0.8 dB, 35 GHz to 40 GHz  
 Power handling 0.5 W at 25 °C

**Mechanical data**

Mating cycles ≥ 500  
 Maximum torque 1.70 Nm  
 Recommended torque 0.90 Nm  
 Gauge 0.00 mm to 0.08 mm

**Environmental data**

Operating temperature range<sup>1</sup> 0 °C to +50 °C  
 Storage temperature range -40 °C to +85 °C  
 RoHS compliant

<sup>1</sup> Temperature range over which these specifications are valid.

**Packing**

Standard 1 pce in box  
 Weight 7.5 g/pce

While the information has been carefully compiled to the best of our knowledge, nothing is intended as representation or warranty on our part and no statement herein shall be construed as recommendation to infringe existing patents. In the effort to improve our products, we reserve the right to make changes judged to be necessary.

Draft	Date	Approved	Date	Rev.	Engineering change number	Name	Date
Kerstin Herzog	08.03.07	Markus Müller	17.11.15	e00	15-1421	Marion Striegler	17.11.15

Rosenberger Hochfrequenztechnik GmbH & Co. KG  
 P.O.Box 1260 D-84526 Tittmoning Germany  
[www.rosenberger.de](http://www.rosenberger.de)

Tel. : +49 8684 18-0  
 Email : [info@rosenberger.de](mailto:info@rosenberger.de)

Page  
 2 / 2