

NOTES:

- MATERIAL:
 - HOUSING: HIGH TEMPERATURE THERMOPLASTIC,UL94V-0,COLOR:BLACK
 - CONTACTS: COPPER ALLOY;
 - PEG: STAINLESS STEEL.
- REFLOW SOLDER CAPABLE TO 260°C.
- FINISH:

CONTACT: GOLD(SEE TABLE) PLATED ON CONTACT AREA AND GOLD FLASH ON SOLDERING AREA. 50u" MIN NICKEL UNDERPLATING OVERALL.

PEG: 80u" MIN.MATTE-TIN PLATED ON SOLDERING AREA. 50u" MIN. NICKEL UNDERPLATING.
- DATE CODE : YYWWDLX

YY: YEAR (09: 2009)
 WW: WEEK (25: THE 25TH WEEK)
 D: DAY (1~7: SUNDAY~SATURDAY)
 L: LINE NUMBER OF ASSEMBLY (A: LINE A)
 X: D OR N (D: DAY; N: NIGHT)
- CONNECTOR ACTUAL PIN QUANTITY IS 67,AS THE KEY TAKING OUT 8 PINS.
- PRODUCT SPECIFICATION:GS-12-1195.
- PART NUMBER DESCRIPTION:

10131758-00XXLF

LF:LEAD FREE

PACKAGE CODE

R:TAPE & REEL PACKAGE (32MM, CARD SLOT FORWARD)

1:TAPE & REEL PACKAGE (32MM, CARD SLOT BACKWARD)

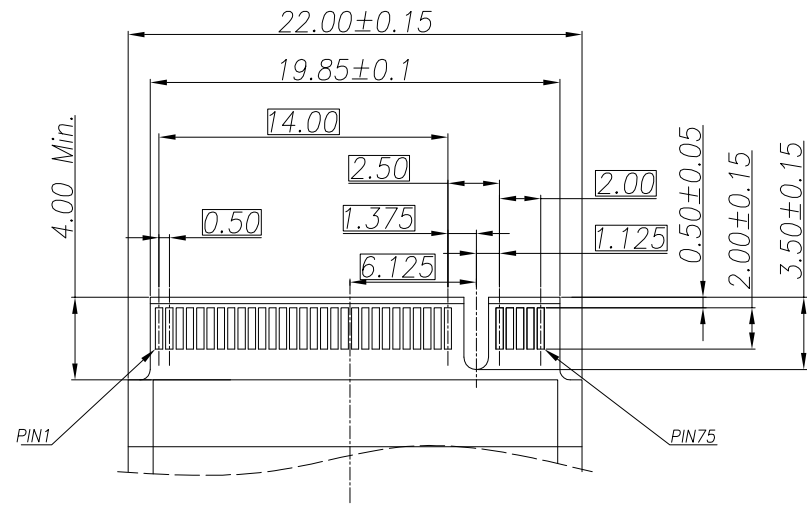
PLATING CODE

1: AU 1u" MIN

4: AU 15u" MIN

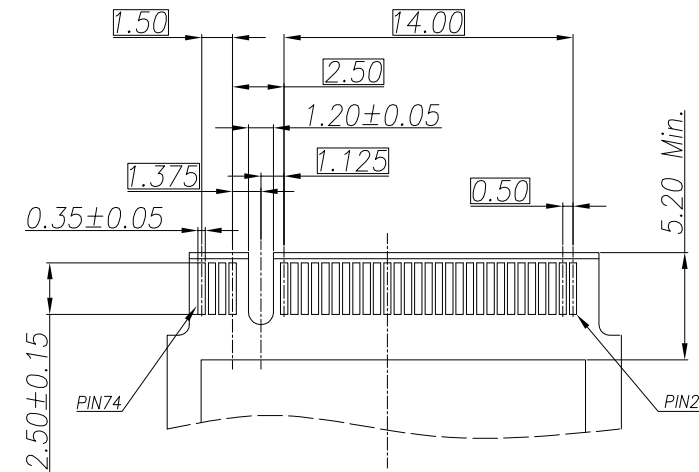
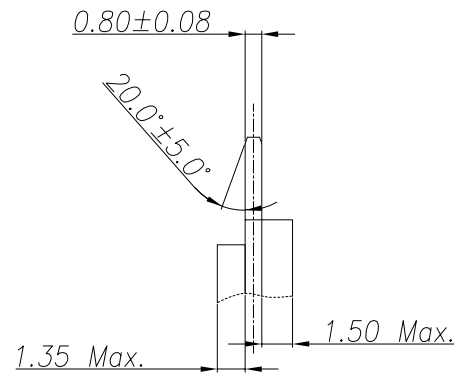
5: AU 30u" MIN

mat'l. code		surface		tolerance		projection		product family	
-		-		ASME_Y14.5				-	
ltr		ecn no		date		tolerances unless otherwise specified		title	
A		-		TAI 2015-01-09		.0±.0.30		M.2_CONNECTOR_KEY_M	
B		DG-27072		LZH 2017-05-23		.00±.0.25		8.5MM_HEIGHT	
C		DG-28874		LZH 2017-12-25		.000±.0.15		scale N/A 	
dr		KENNY_TAI		2014-09-15		sheet 1 of 4		size	
engr		KENNY_TAI		2014-09-15		10131758		A4	
chr		KENNY_TAI		2014-09-15		type		CUSTOMER Drawing	
appd		PM_ZHENG		2014-09-15					
sheet index		revision sheet		c					



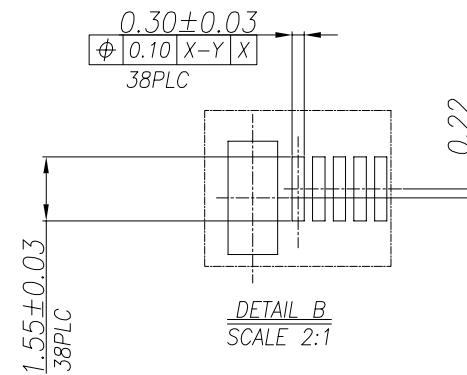
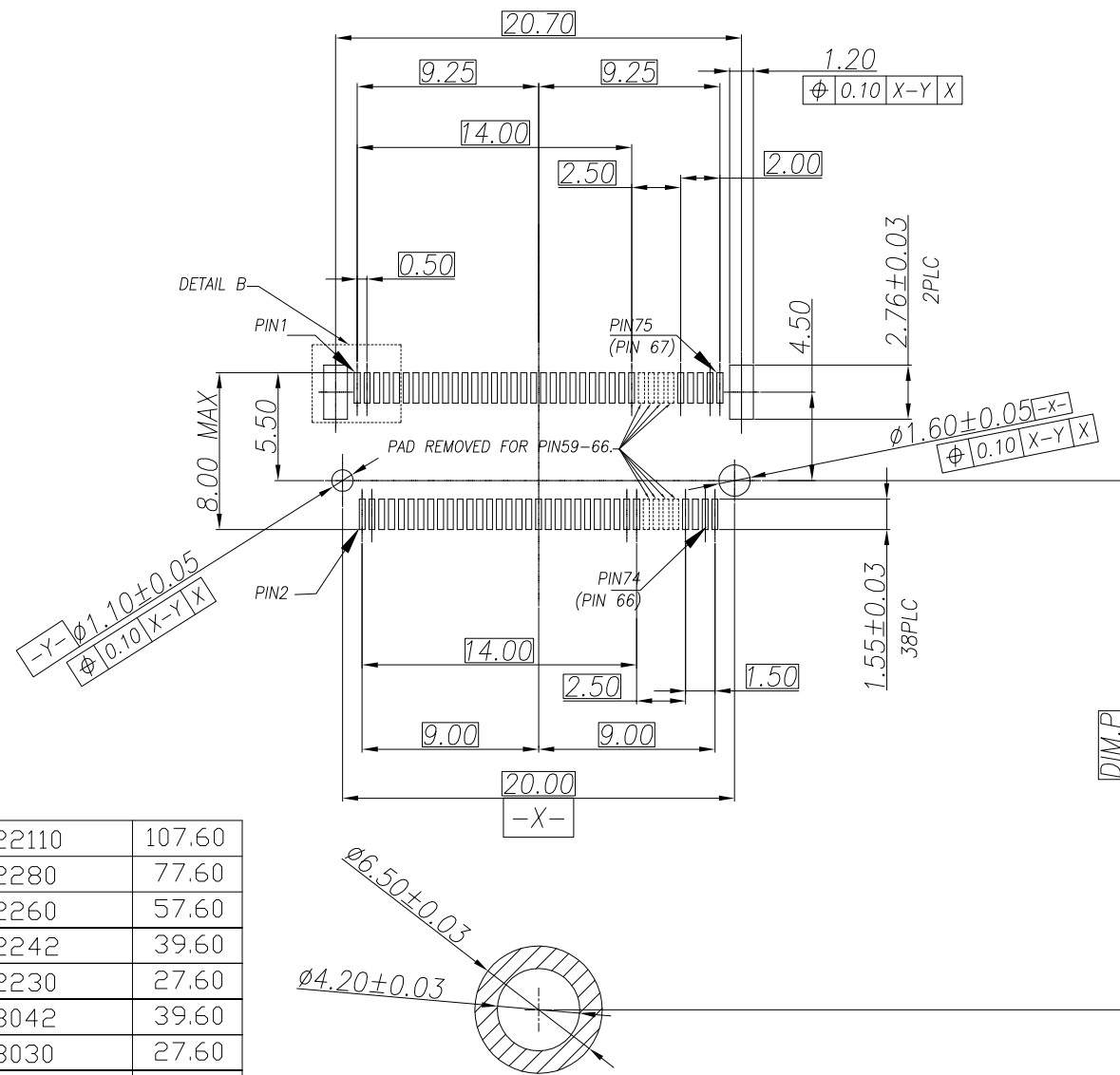
TOP SIDE

PLUG PCB



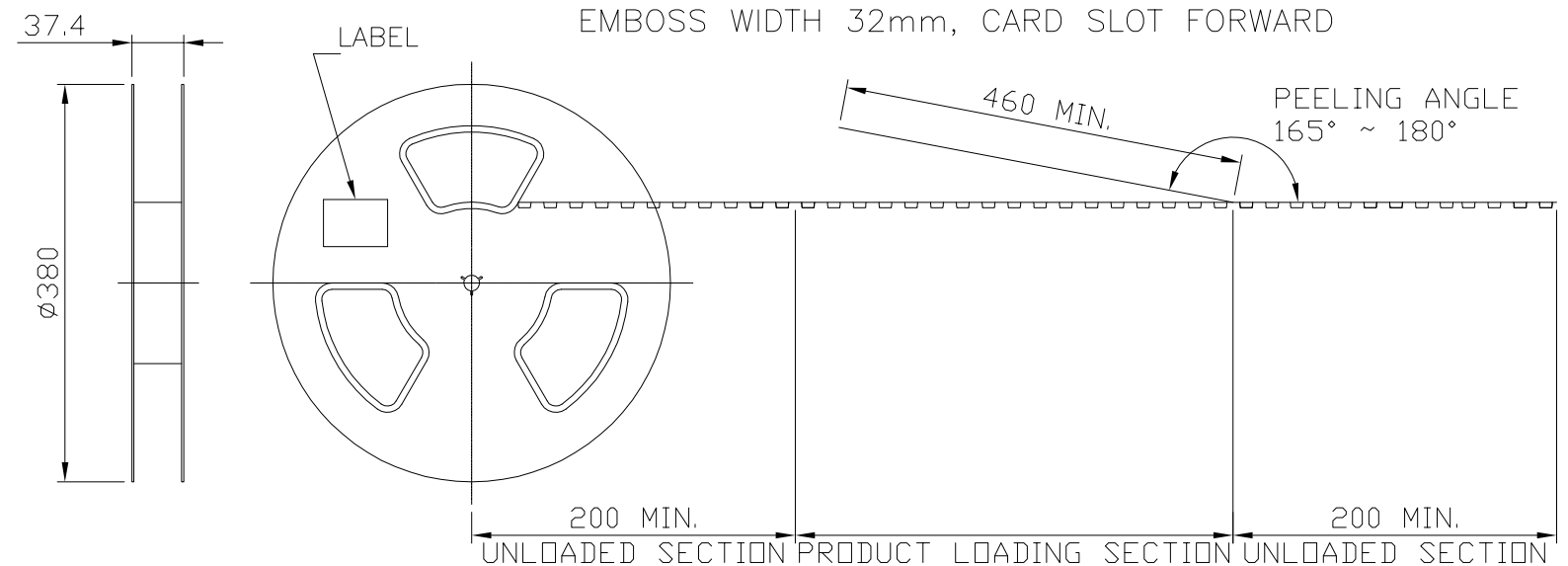
BOTTOM SIDE

RECOMMENDED PCB LAYOUT

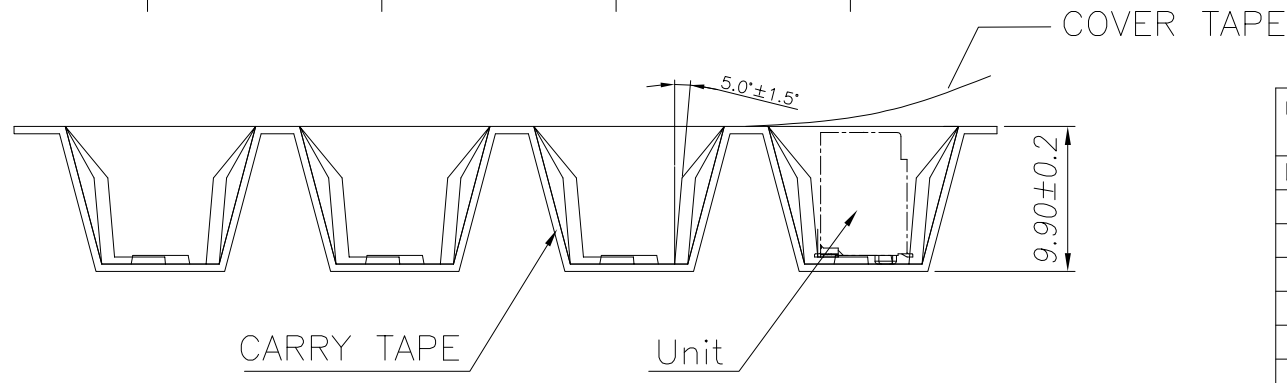
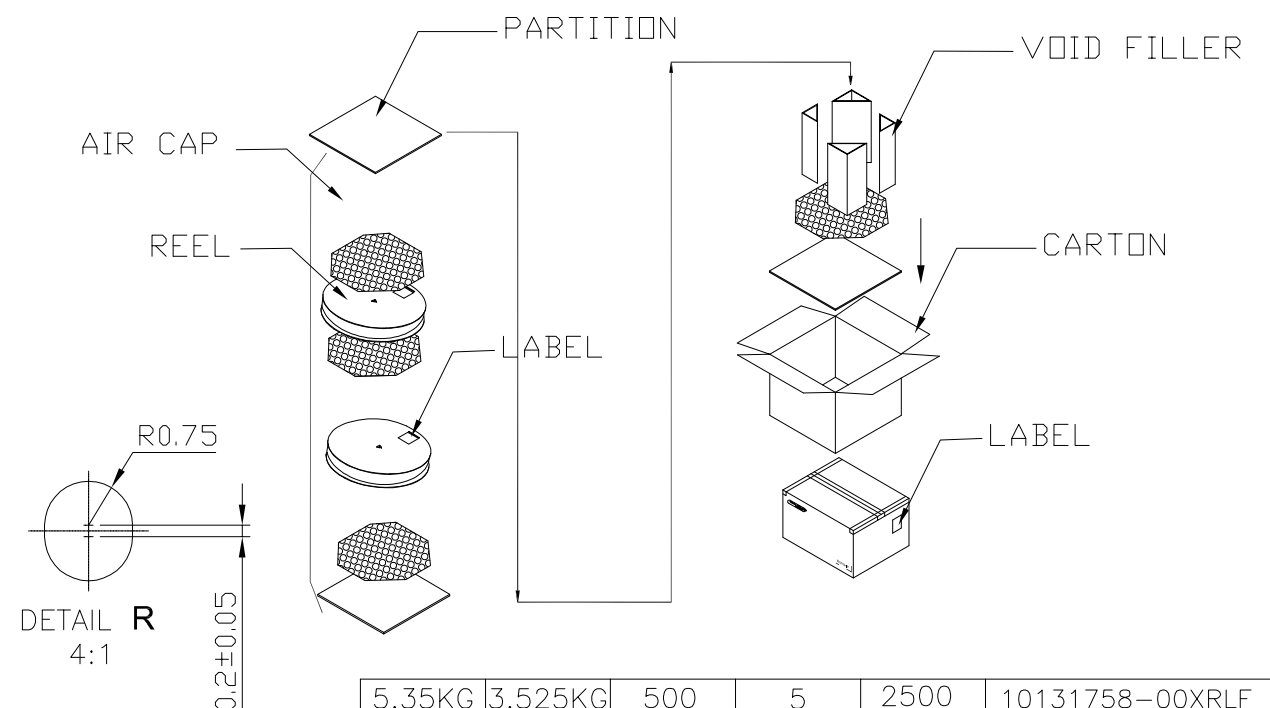
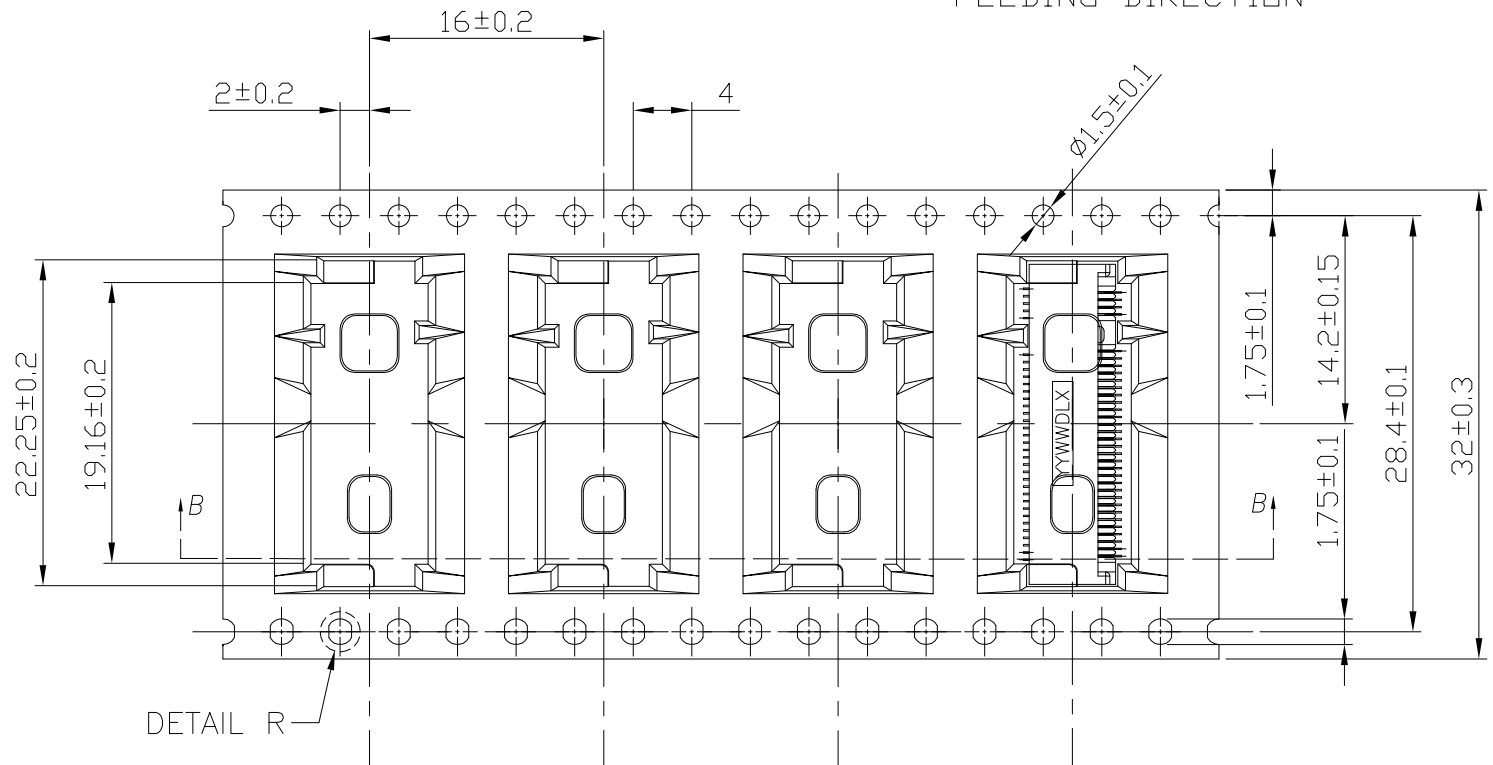


22110	107.60
2280	77.60
2260	57.60
2242	39.60
2230	27.60
3042	39.60
3030	27.60
MODULE TYPE	DIM.P

mat'l. code				surface		tolerance		projection		product family					
-				-		ASME_Y14.5				-					
ltr				ecn no		dr		date		title					
										M.2_CONNECTOR_KEY_M					
										8.5MM_HEIGHT					
								MM		5					
								scale N/A		dwg no					
										sheet 2 of 4					
										size					
										A4					
										type					
										CUSTOMER Drawing					
sheet index		revision sheet		c											

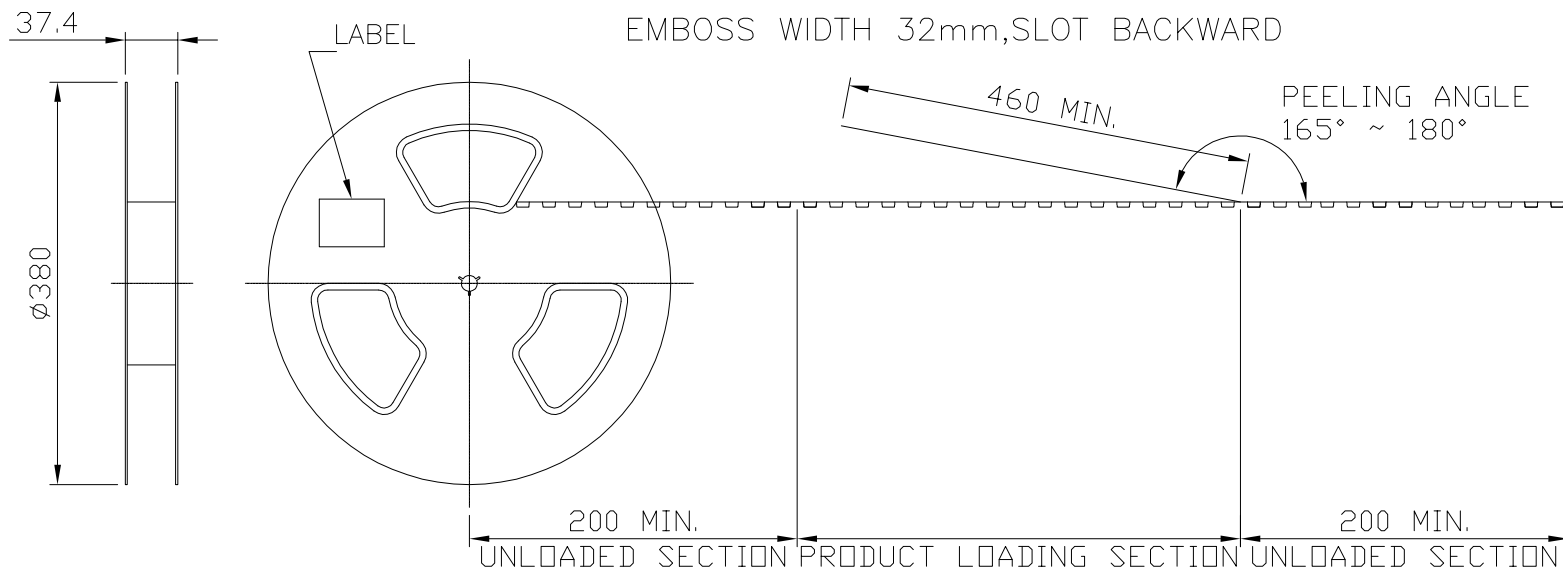


- NOTES :
- MATERIAL :
COVER TAPE : ANTISTATIC P.S T=0.05±0.01 ,COLOR:CLEAR
CARRIER TAPE : ANTISTATIC P.S T=0.40±0.10,COLOR:BLACK
REEL : PS UL94V-0
CARTON: CORRUGATED FIBER
 - DIMENSION :
REEL : SEE DRAWING
SHIPPING BOX: 385X385X295mm
 - QUANTITY : SEE TABLE
 - PEELING RESISTANCE : 10gf~130gf (for 12~56mm)
 - PEELING SPEED : 300mm/MINUTES



5.35KG	3.525KG	500	5	2500	10131758-00XRLF
GROSS WEIGHT	NET WEIGHT	PCS/ REEL	REEL/ CARTON	PCS/ CARTON	PART NUMBER

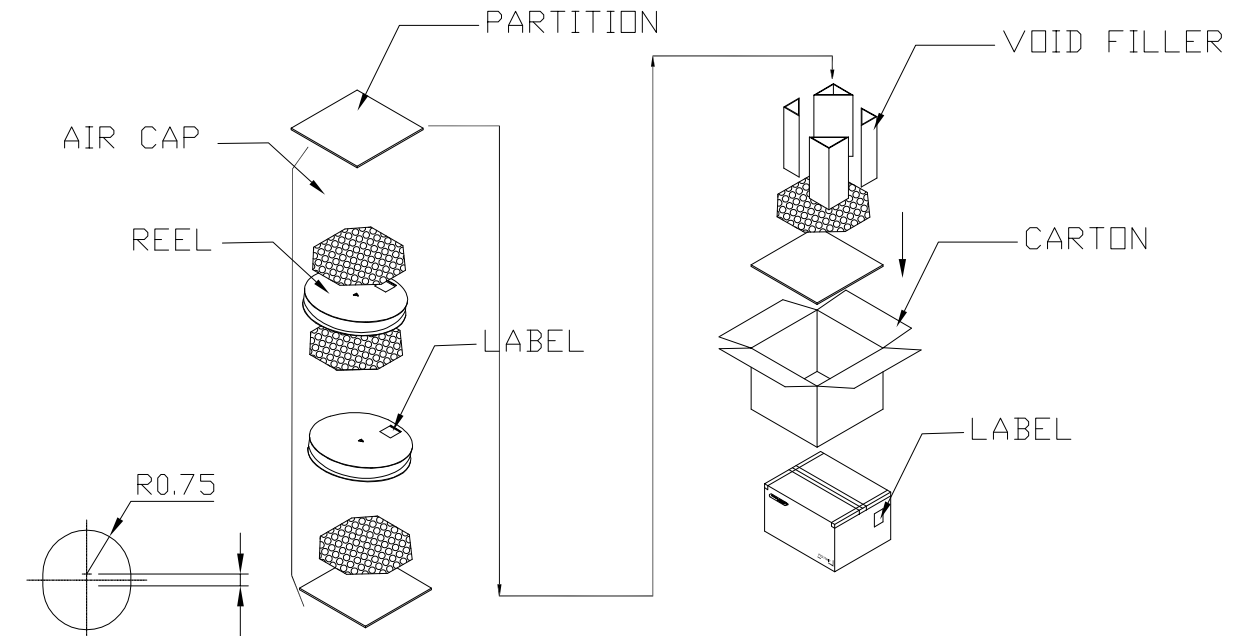
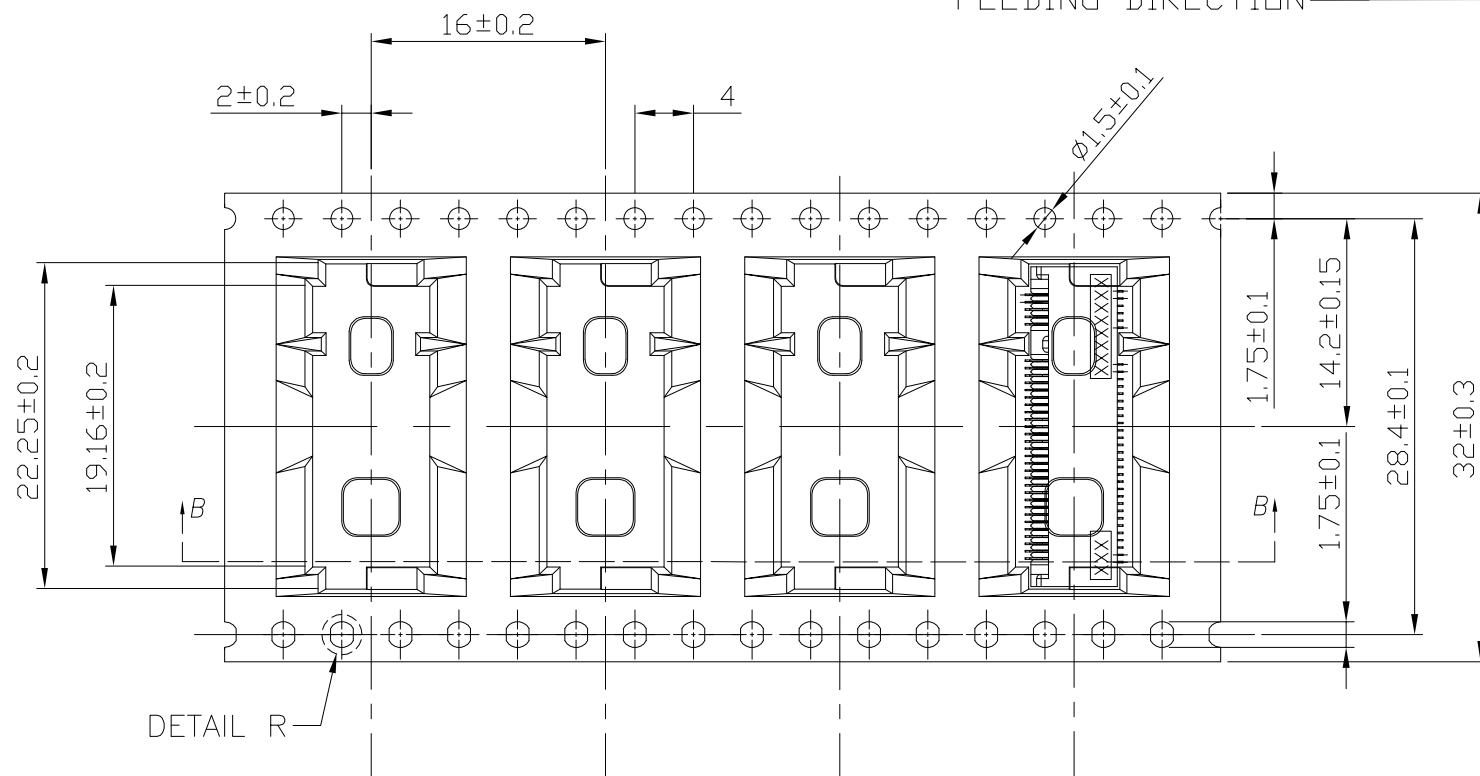
mat'l. code				surface	tolerance	projection	product family				
-				-	ASME_Y14.5		-				
ltr	ecn no	dr	date	tolerances unless otherwise specified			title				
				angles	Linear	MM	M.2_CONNECTOR_KEY_M				
				±2°		scale N/A	8.5MM_HEIGHT				
				dr	KENNY_TAI	2014-09-15		dwg no		sheet 3 of 4	size
				engr	KENNY_TAI	2014-09-15		10131758		A4	
				chr	KENNY_TAI	2014-09-15		type CUSTOMER Drawing			
				appd	PM_ZHENG	2014-09-15					
sheet index	revision sheet	c									



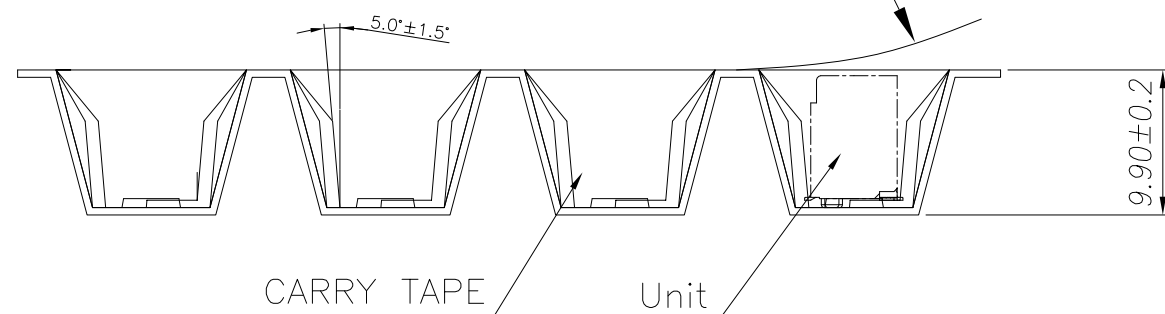
NOTES :

- MATERIAL :
COVER TAPE : ANTISTATIC P.S T=0.05±0.01 ,COLOR:CLEAR
CARRIER TAPE : ANTISTATIC P.S T=0.40±0.10,COLOR:BLACK
REEL : PS UL94V-0
CARTON: CORRUGATED FIBER
- DIMENSION :
REEL : SEE DRAWING
SHIPPING BOX: 385X385X295mm
- QUANTITY : SEE TABLE
- PEELING RESISTANCE : 10gf~130gf (for 12~56mm)
- PEELING SPEED : 300mm/MINUTES

FEEDING DIRECTION →



COVER TAPE



5.35KG	3.525KG	500	5	2500	10131758-00X1LF
GROSS WEIGHT	NET WEIGHT	PCS/ REEL	REEL/ CARTON	PCS/ CARTON	PART NUMBER

mat'l. code				surface	tolerance	projection	product family	
-				-	ASME_Y14.5		-	
ltr	ecn no	dr	date	tolerances unless otherwise specified			title	
				angles	Linear	MM	M.2_CONNECTOR_KEY_M	
				±2°		scale N/A	8.5MM_HEIGHT	
				dr	KENNY_TAI	2014-09-15		dwg no
				engr	KENNY_TAI	2014-09-15		sheet 4 of 4
				chr	KENNY_TAI	2014-09-15		size
				appd	PM_ZHENG	2014-09-15		A4
sheet index		revision sheet	c			type		CUSTOMER Drawing