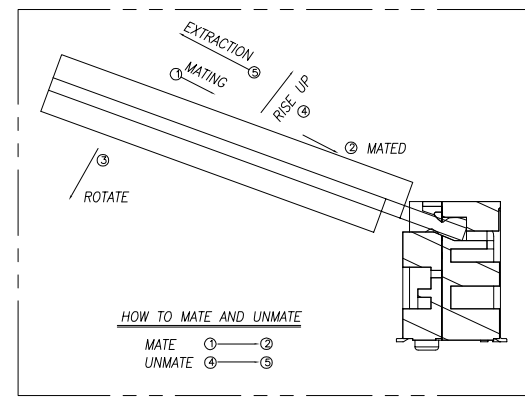
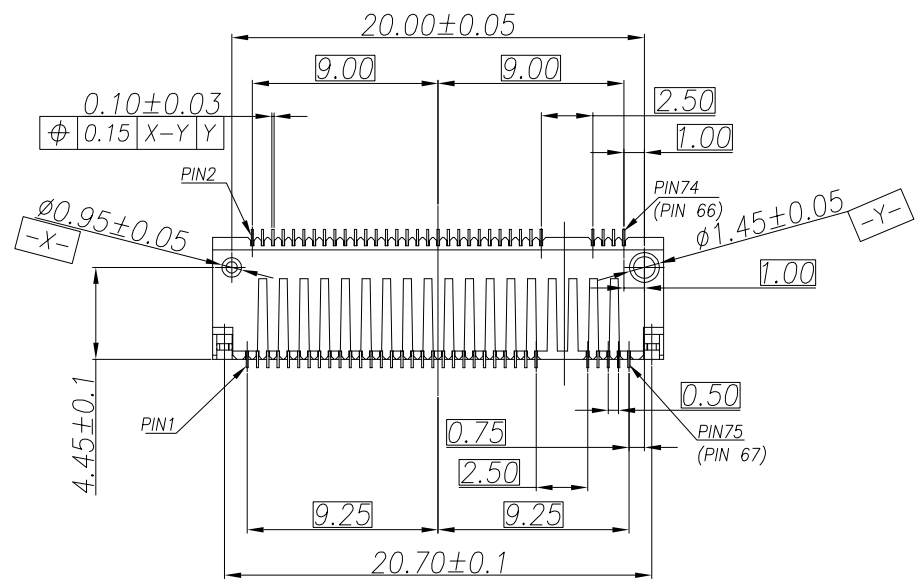
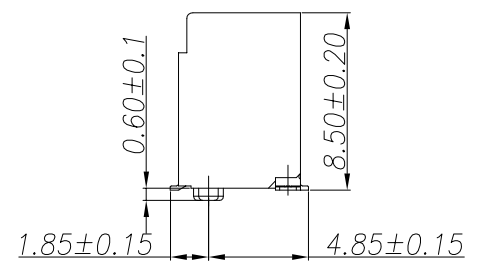
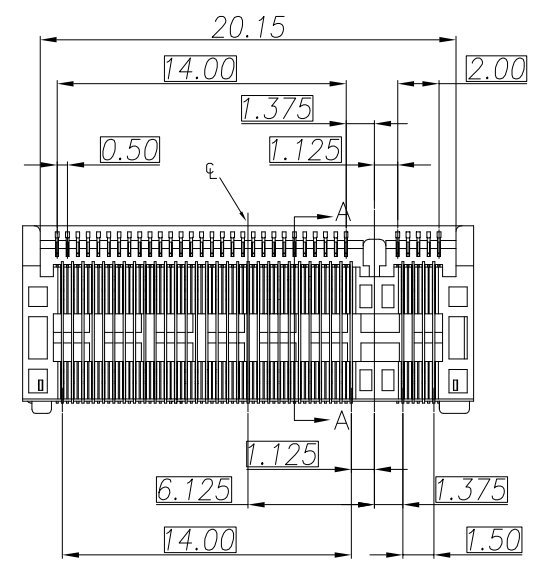
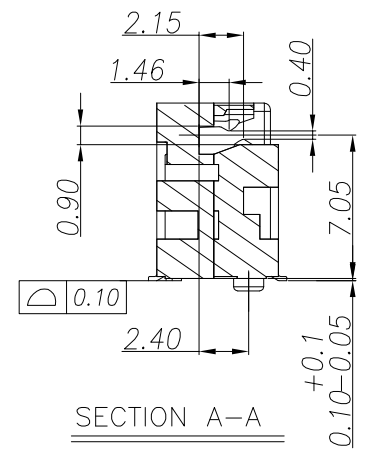
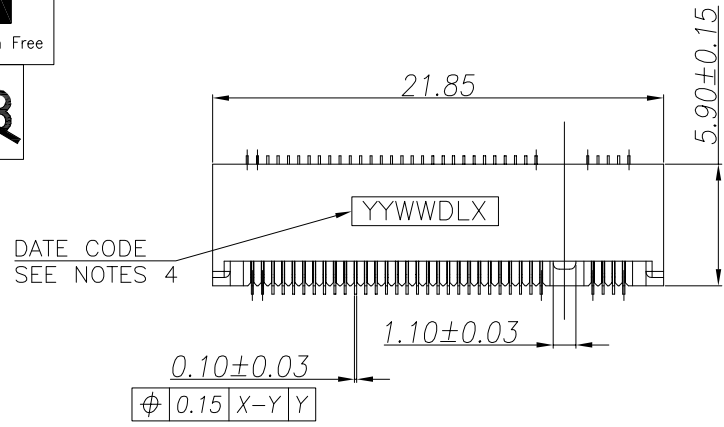


**HF**  
Halogen Free



NOTES:

- 1.MATERIAL:
  - 1.1.HOUSING: HIGH TEMPERATURE THERMOPLASTIC,UL94V-0,COLOR:BLACK
  - 1.2.CONTACTS: COPPER ALLOY;
  - 1.3.PEG: STAINLESS STEEL.
- 2.REFLOW SOLDER CAPABLE TO 260°C.
- 3.FINISH:
 

CONTACT: GOLD(SEE TABLE) PLATED ON CONTACT AREA AND GOLD FLASH ON SOLDERING AREA. 50u" MIN NICKEL UNDERPLATING OVERALL.

PEG: 80u" MIN.MATTE-TIN PLATED ON SOLDERING AREA. 50u" MIN. NICKEL UNDERPLATING.
4. DATE CODE : YYWWDLX
 

YY: YEAR (09: 2009)  
 WW: WEEK (25: THE 25TH WEEK)  
 D: DAY (1~7: SUNDAY~SATURDAY)  
 L: LINE NUMBER OF ASSEMBLY (A: LINE A)  
 X: D OR N (D: DAY; N: NIGHT)
- 5.CONNECTOR ACTUAL PIN QUANTITY IS 67,AS THE KEY TAKING OUT 8 PINS.
- 6.PRODUCT SPECIFICATION:GS-12-1195.
- 7.PART NUMBER DESCRIPTION:
 

10131758-00XXLF

LF:LEAD FREE

PACKAGE CODE

R:TAPE & REEL PACKAGE (32MM, CARD SLOT FORWARD)

△C 1:TAPE & REEL PACKAGE (32MM, CARD SLOT BACKWARD)

PLATING CODE

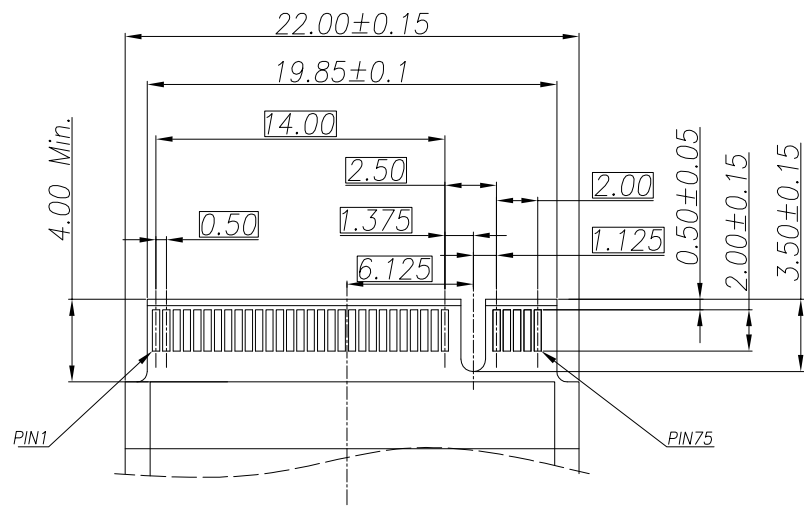
1: AU 1u" MIN

4: AU 15u" MIN

5: AU 30u" MIN

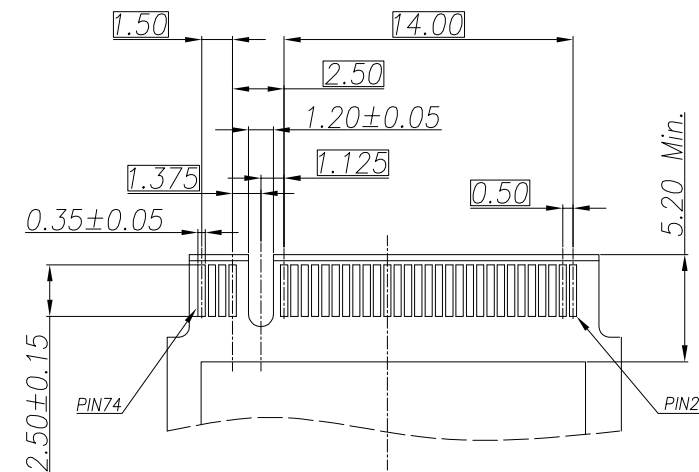
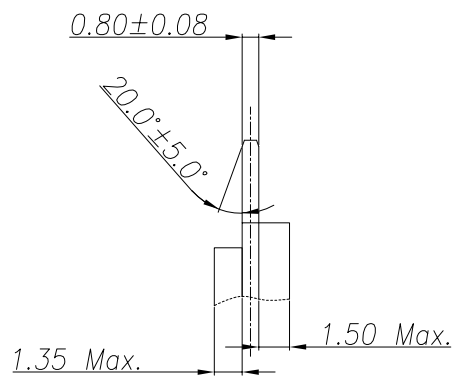
mat'l. code				surface	tolerance	projection	product family	
-				✓	ASME_Y14.5		-	
ltr	ecn no	dr	date	tolerances unless otherwise specified			title	
A	-	TAI	2015-01-09	angles	Linear			M.2_CONNECTOR_KEY_M 8.5MM_HEIGHT
B	DG-27072	LZH	2017-05-23	±2'				
C	DG-28874	LZH	2017-12-25			scale N/A		
sheet index		revision	c	dr	KENNY_TAI	2014-09-15	Amphenol FCI 10131758 CUSTOMER Drawing	
				engr	KENNY_TAI	2014-09-15		
				chr	KENNY_TAI	2014-09-15		
				appd	PM_ZHENG	2014-09-15		
							sheet 1 of 4 size A4 type	

HF  
Halogen Free



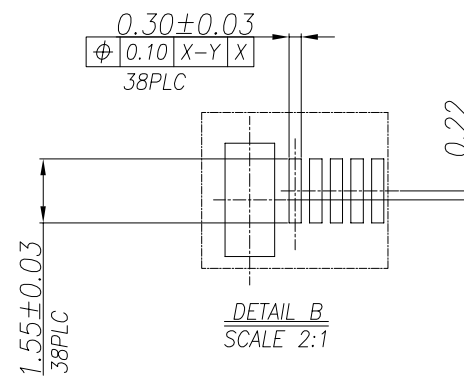
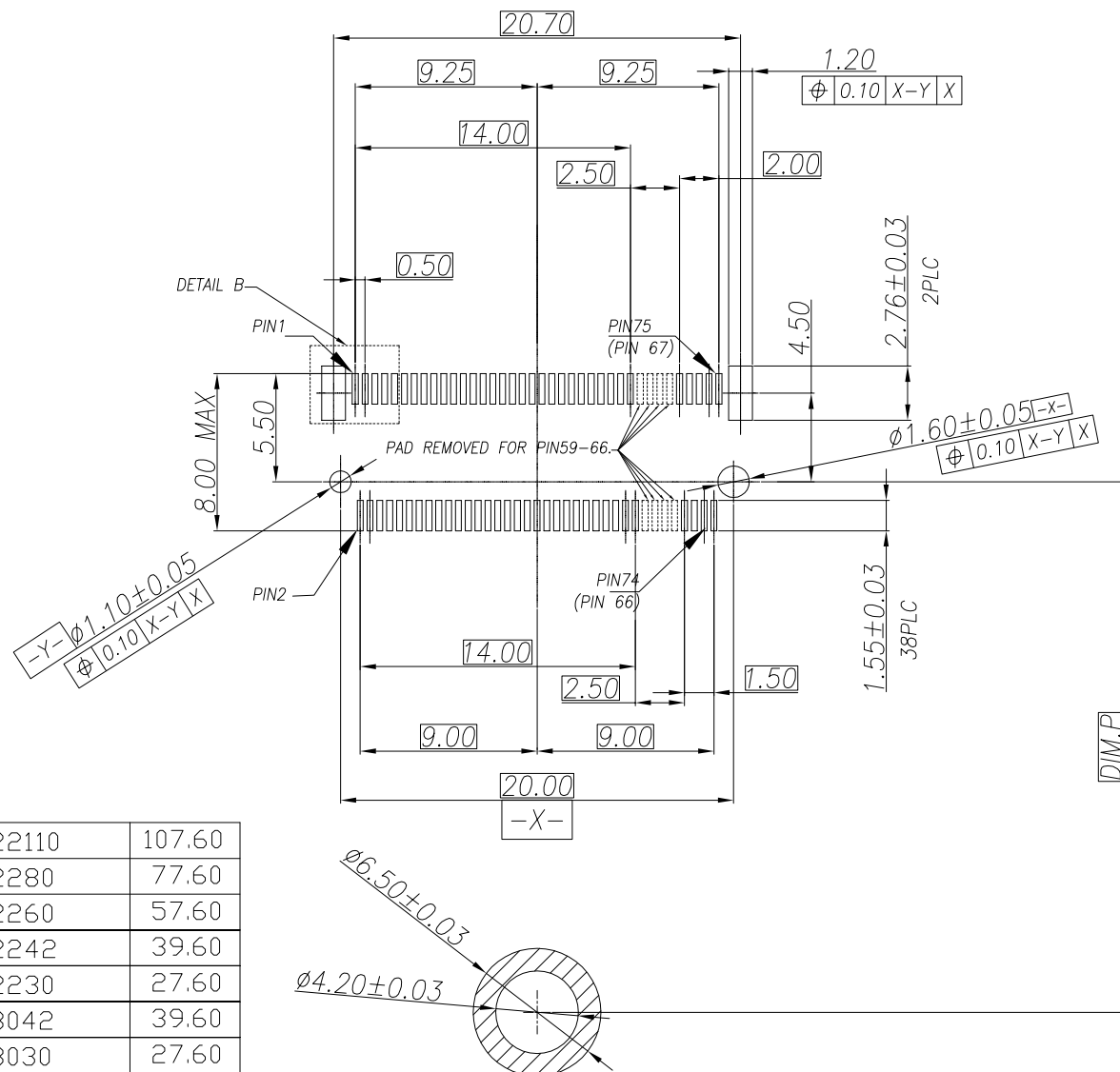
TOP SIDE

PLUG PCB



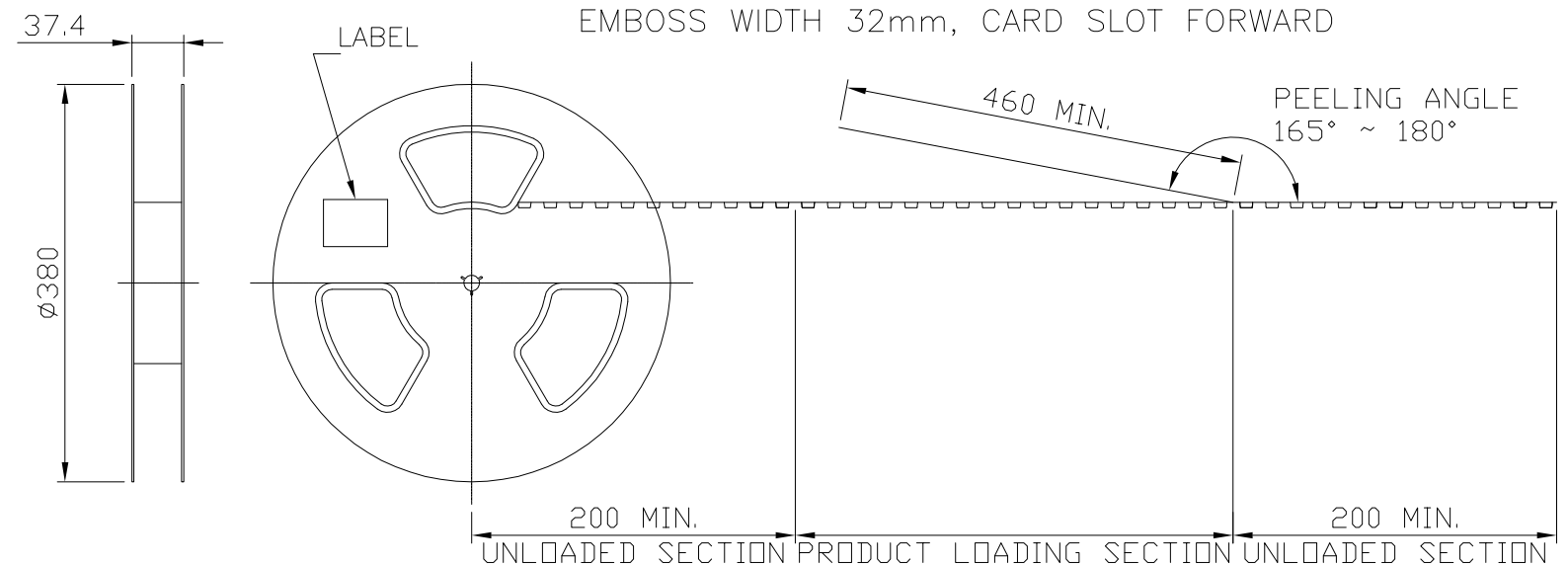
BOTTOM SIDE

RECOMMENDED PCB LAYOUT

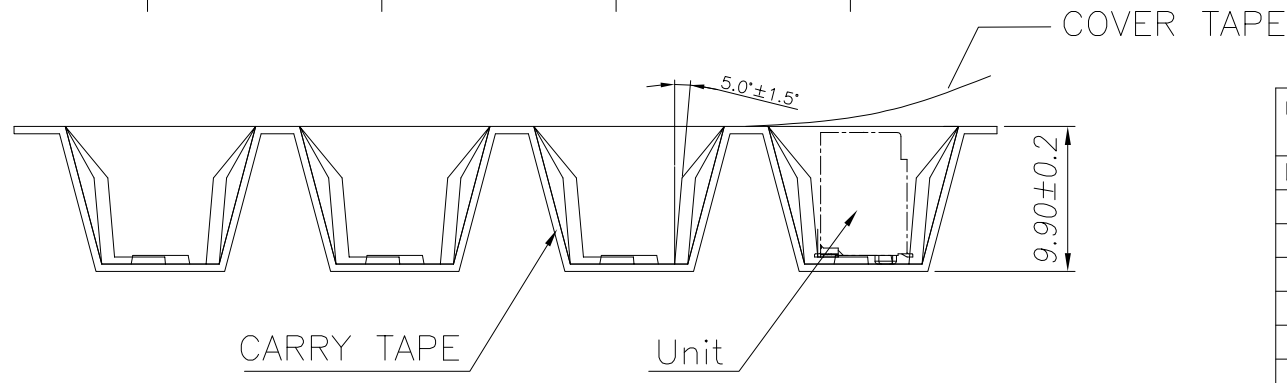
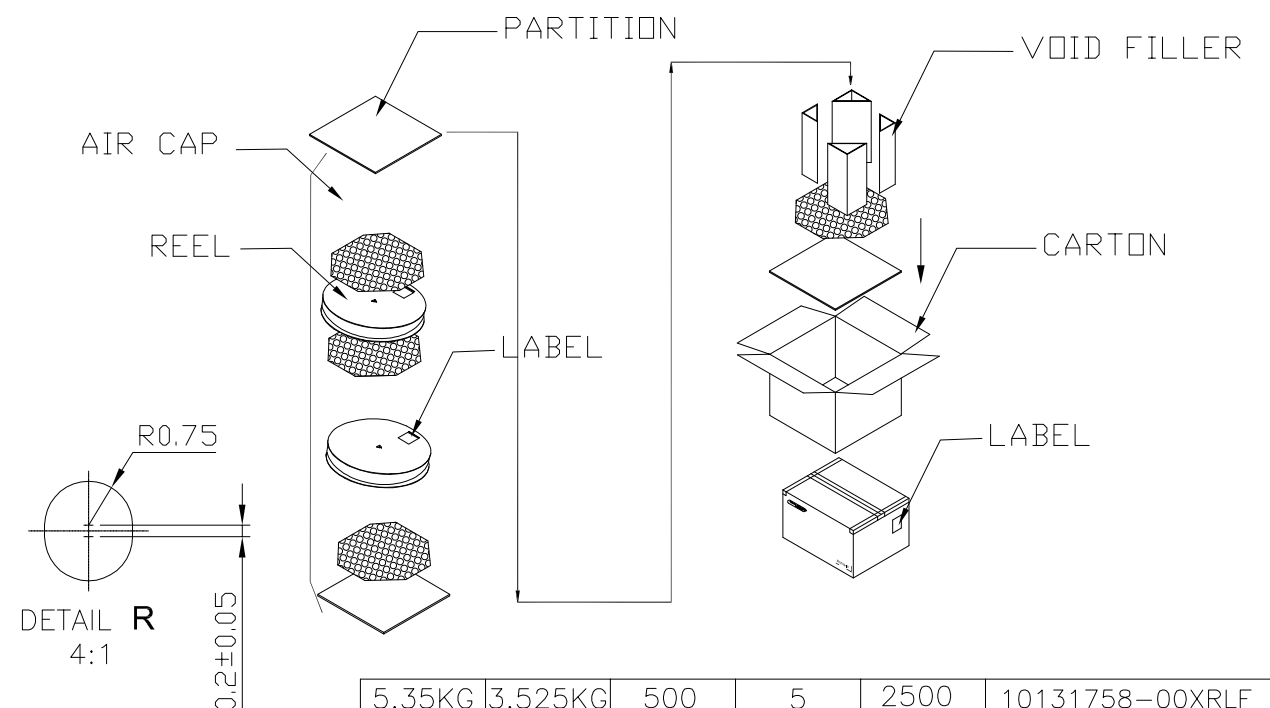
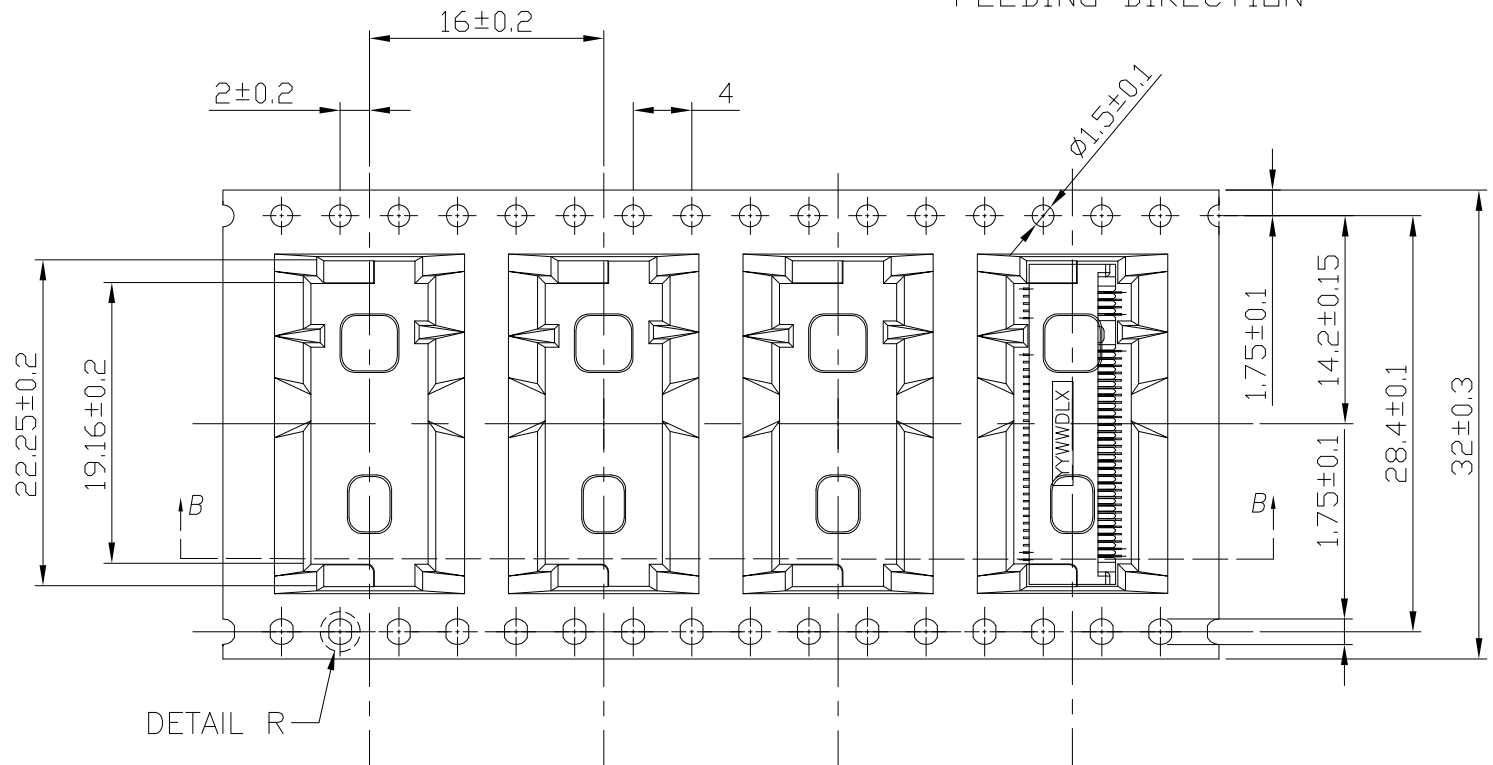


22110	107.60
2280	77.60
2260	57.60
2242	39.60
2230	27.60
3042	39.60
3030	27.60
MODULE TYPE	DIM.P

mat'l. code				surface	tolerance	projection	product family		
-				-	ASME_Y14.5		-		
ltr	ecn no	dr	date	tolerances unless otherwise specified		MM	title		
				angles	.0±.030				
				±2°	.00±.025				
					.000±.015	scale N/A	M.2_CONNECTOR_KEY_M 8.5MM_HEIGHT		
		dr	KENNY_TAI	2014-09-15	Amphenol FCi	sheet 2 of 4		size	
		engr	KENNY_TAI	2014-09-15					10131758
		chr	KENNY_TAI	2014-09-15					
		appd	PM_ZHENG	2014-09-15			type		
sheet index		revision sheet	c				CUSTOMER Drawing		

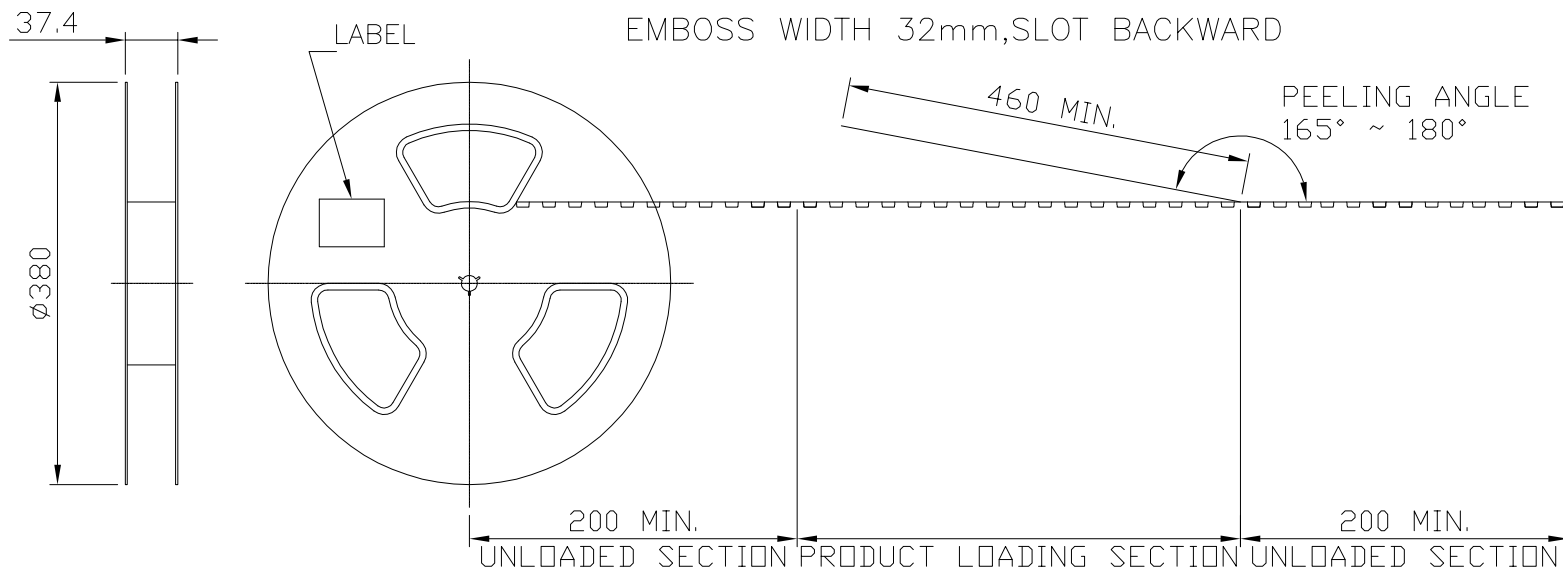


- NOTES :
- MATERIAL :  
COVER TAPE : ANTISTATIC P.S T=0.05±0.01 ,COLOR:CLEAR  
CARRIER TAPE : ANTISTATIC P.S T=0.40±0.10,COLOR:BLACK  
REEL : PS UL94V-0  
CARTON: CORRUGATED FIBER
  - DIMENSION :  
REEL : SEE DRAWING  
SHIPPING BOX: 385X385X295mm
  - QUANTITY : SEE TABLE
  - PEELING RESISTANCE : 10gf~130gf (for 12~56mm)
  - PEELING SPEED : 300mm/MINUTES



5.35KG	3.525KG	500	5	2500	10131758-00XRLF
GROSS WEIGHT	NET WEIGHT	PCS/ REEL	REEL/ CARTON	PCS/ CARTON	PART NUMBER

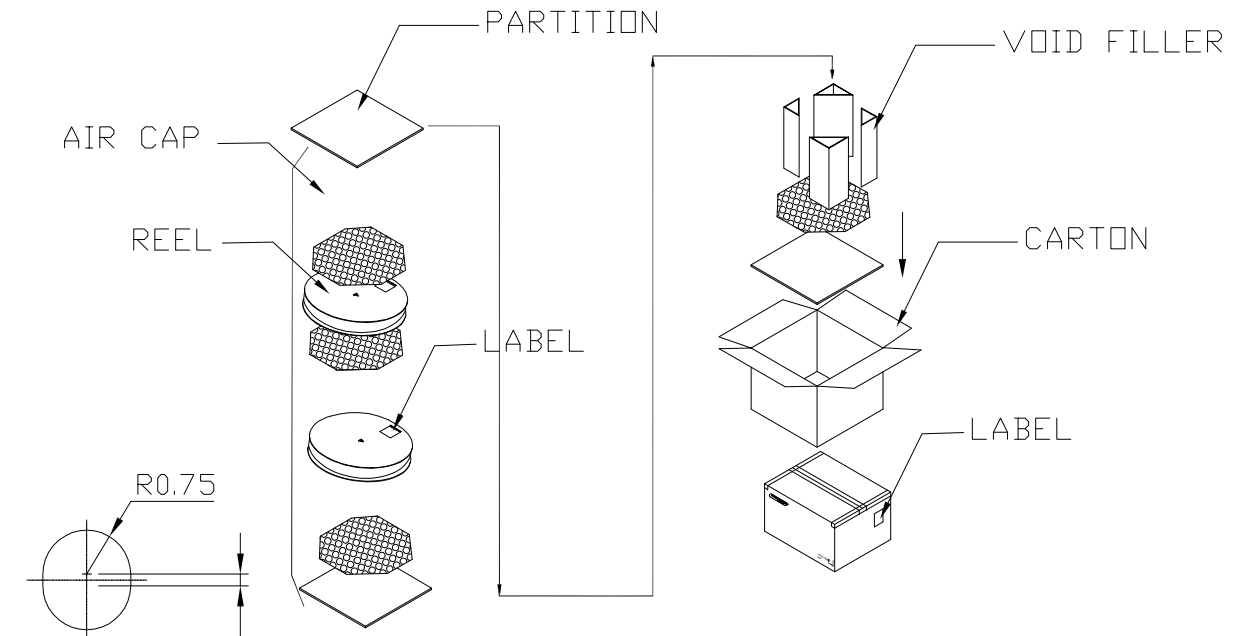
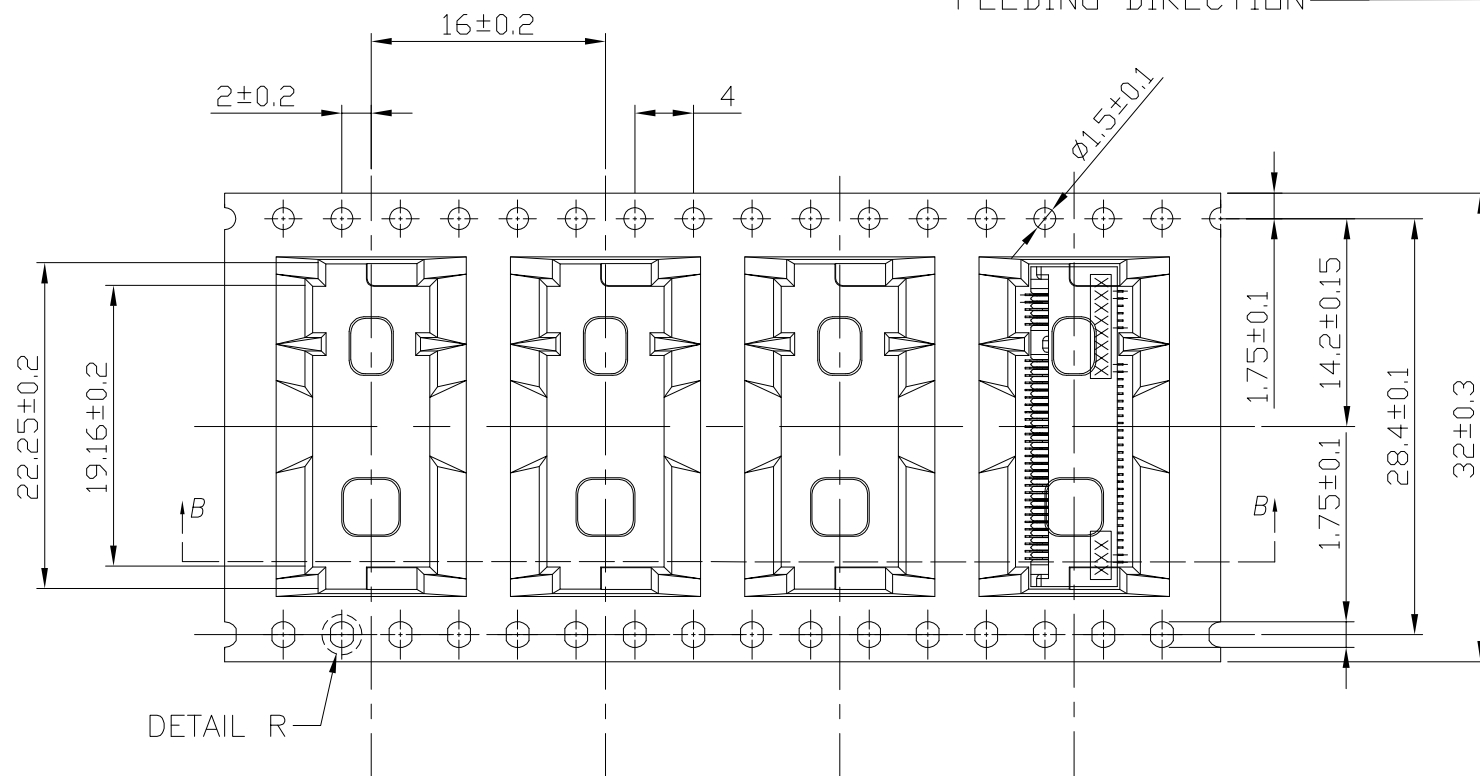
mat'l. code				surface	tolerance	projection	product family	
-				-	ASME_Y14.5		-	
ltr	ecn no	dr	date	tolerances unless otherwise specified		MM	title	
				angles	Linear		M.2_CONNECTOR_KEY_M	
				±2°			8.5MM_HEIGHT	
				dr	KENNY_TAI	2014-09-15		dwg no
				engr	KENNY_TAI	2014-09-15		sheet 3 of 4
				chr	KENNY_TAI	2014-09-15		size
				appd	PM_ZHENG	2014-09-15		A4
sheet index	revision sheet	c						type
								CUSTOMER Drawing



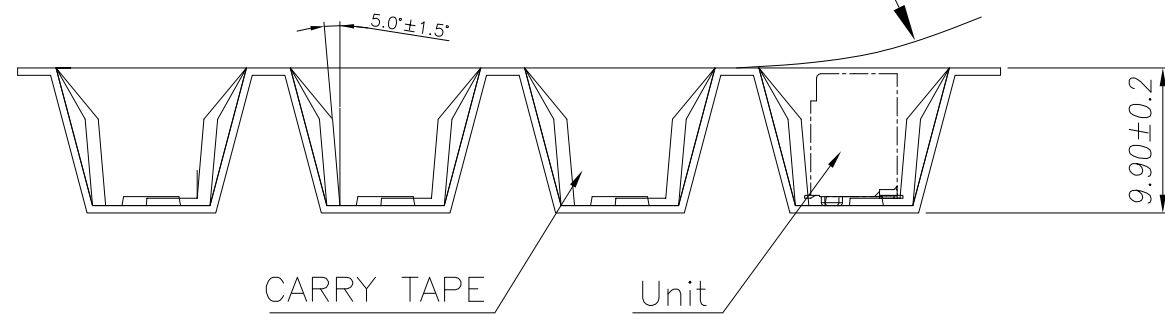
NOTES :

- MATERIAL :  
COVER TAPE : ANTISTATIC P.S T=0.05±0.01 ,COLOR:CLEAR  
CARRIER TAPE : ANTISTATIC P.S T=0.40±0.10,COLOR:BLACK  
REEL : PS UL94V-0  
CARTON: CORRUGATED FIBER
- DIMENSION :  
REEL : SEE DRAWING  
SHIPPING BOX: 385X385X295mm
- QUANTITY : SEE TABLE
- PEELING RESISTANCE : 10gf~130gf (for 12~56mm)
- PEELING SPEED : 300mm/MINUTES

FEEDING DIRECTION →



COVER TAPE



5.35KG	3.525KG	500	5	2500	10131758-00X1LF
GROSS WEIGHT	NET WEIGHT	PCS/ REEL	REEL/ CARTON	PCS/ CARTON	PART NUMBER

mat'l. code				surface	tolerance	projection	product family				
-				-	ASME_Y14.5		-				
ltr	ecn no	dr	date	tolerances unless otherwise specified			title				
				angles	Linear	MM	M.2_CONNECTOR_KEY_M				
				±2°		scale N/A	8.5MM_HEIGHT				
				dr	KENNY_TAI	2014-09-15		dwg no		sheet 4 of 4	size
				engr	KENNY_TAI	2014-09-15		10131758		A4	
				chr	KENNY_TAI	2014-09-15		type		CUSTOMER Drawing	
				appd	PM_ZHENG	2014-09-15					
sheet index	revision sheet	c									