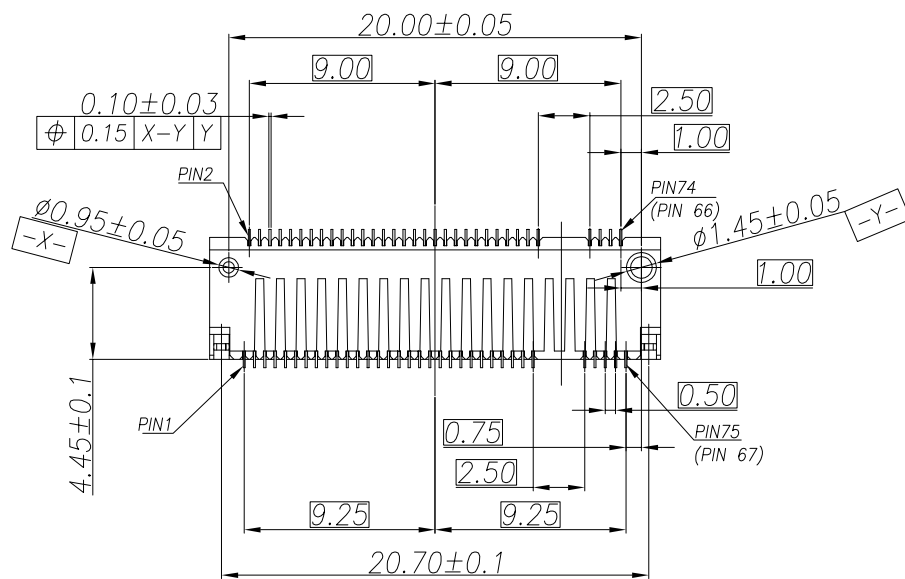
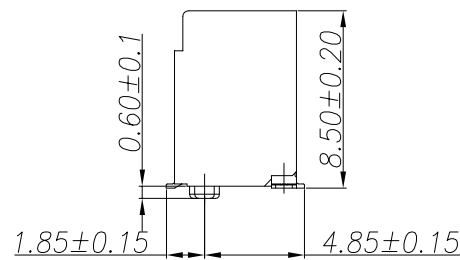
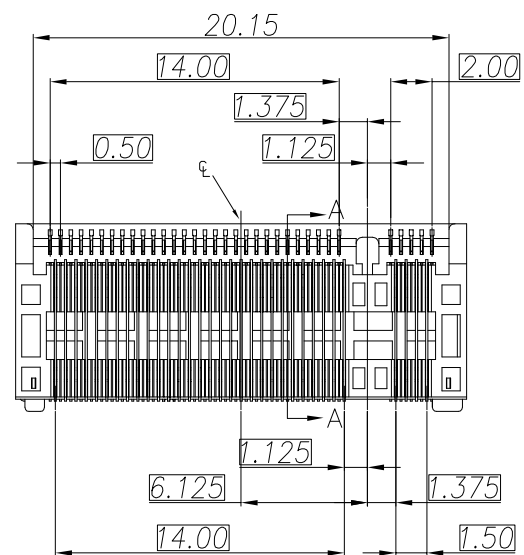
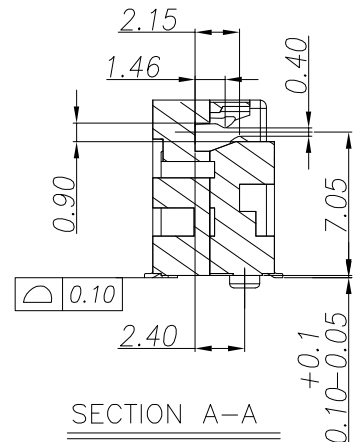
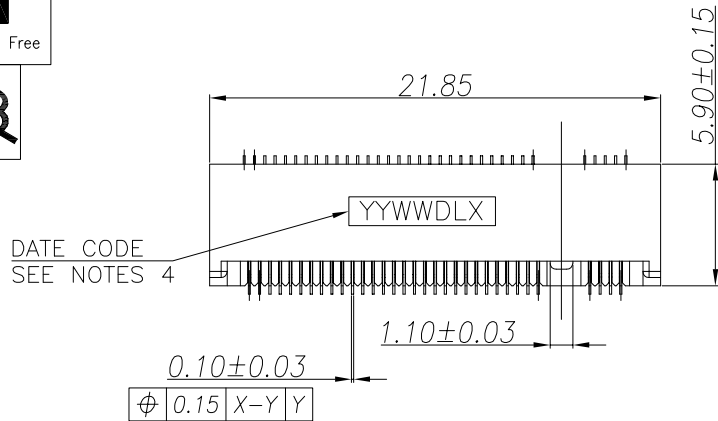


HF
Halogen Free



NOTES:

1.MATERIAL:

- 1.1.HOUSING: HIGH TEMPERATURE THERMOPLASTIC,UL94V-0,COLOR:BLACK
- 1.2.CONTACTS: COPPER ALLOY;
- 1.3.PEG: STAINLESS STEEL.

2.REFLOW SOLDER CAPABLE TO 260°C.

3.FINISH:

CONTACT: GOLD(SEE TABLE) PLATED ON CONTACT AREA AND GOLD FLASH ON SOLDERING AREA. 50u" MIN NICKEL UNDERPLATING OVERALL.
PEG: 80u" MIN.MATTE-TIN PLATED ON SOLDERING AREA.
50u" MIN. NICKEL UNDERPLATING.

4. DATE CODE : YYWWDLX

YY: YEAR (09: 2009)
WW: WEEK (25: THE 25TH WEEK)
D: DAY (1~7: SUNDAY~SATURDAY)
L: LINE NUMBER OF ASSEMBLY (A: LINE A)
X: D OR N (D: DAY; N: NIGHT)

5.CONNECTOR ACTUAL PIN QUANTITY IS 67,AS THE KEY TAKING OUT 8 PINS.

6.PRODUCT SPECIFICATION:GS-12-1195.

7.PART NUMBER DESCRIPTION:

10131758-00XXLF

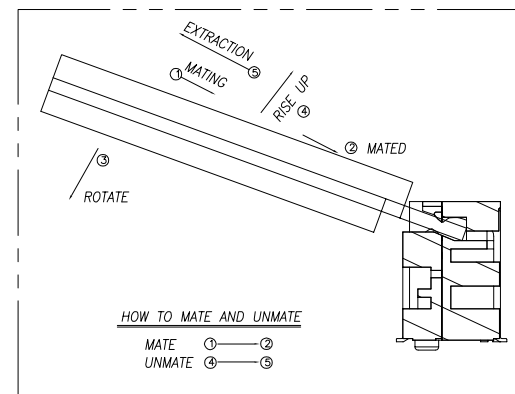
LF:LEAD FREE

PACKAGE CODE

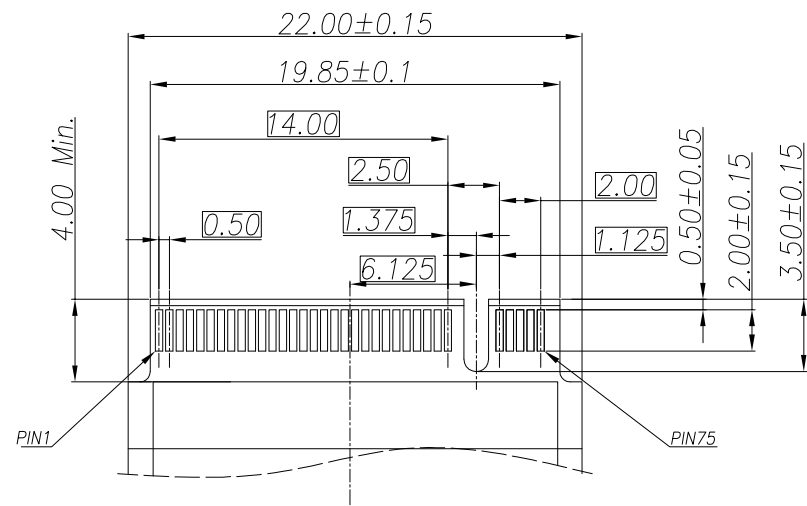
R:TAPE & REEL PACKAGE (32MM, CARD SLOT FORWARD)
C:TAPE & REEL PACKAGE (32MM, CARD SLOT BACKWARD)

PLATING CODE

1: AU 1u" MIN
4: AU 15u" MIN
5: AU 30u" MIN

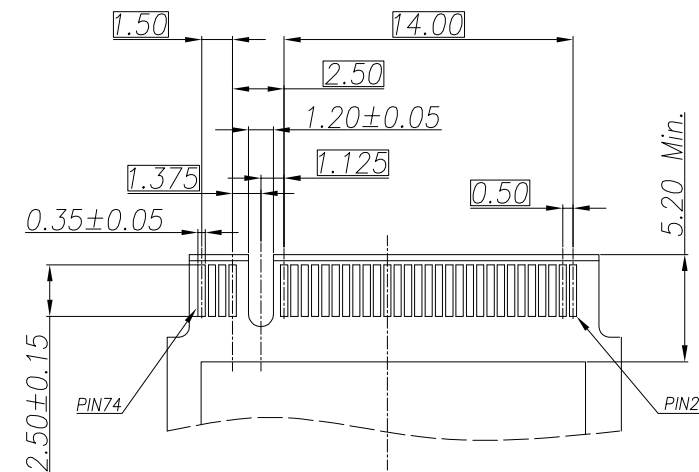
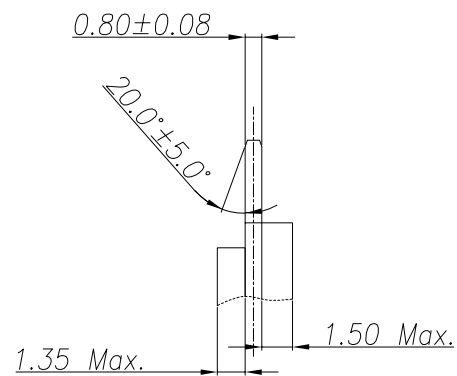


mat'l. code				surface	tolerance	projection	product family	
-				-	ASME_Y14.5		-	
ltr	ecn no	dr	date	tolerances unless otherwise specified		MM	title	
A	-	TAI	2015-01-09	angles	Linear			M.2_CONNECTOR_KEY_M 8.5MM_HEIGHT
B	DG-27072	LZH	2017-05-23	±2'	Linear			
C	DG-28874	LZH	2017-12-25			scale N/A		
sheet index		revision sheet	c	dr	KENNY_TAI	2014-09-15	dwg no	
				engr	KENNY_TAI	2014-09-15		sheet 1 of 4
				chr	KENNY_TAI	2014-09-15	size	
				appd	PM_ZHENG	2014-09-15		A4
				Amphenol FCI			10131758	
								type



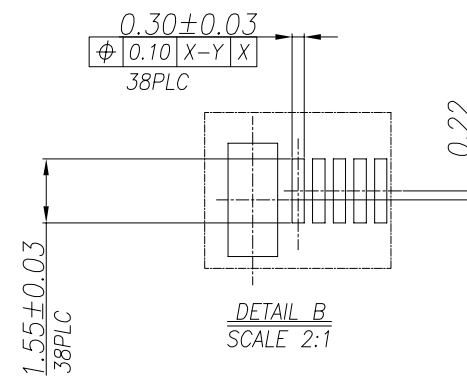
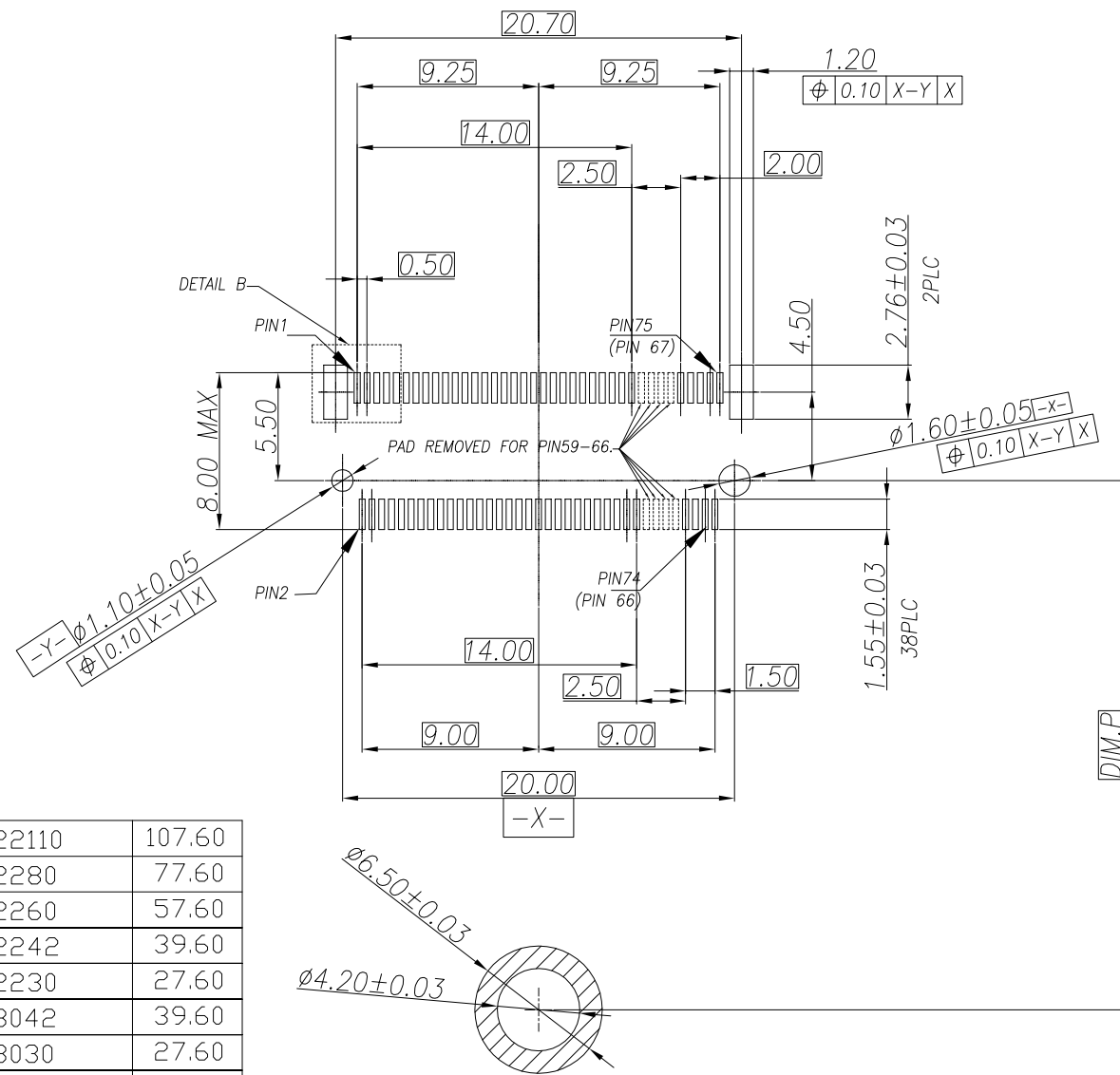
TOP SIDE

PLUG PCB



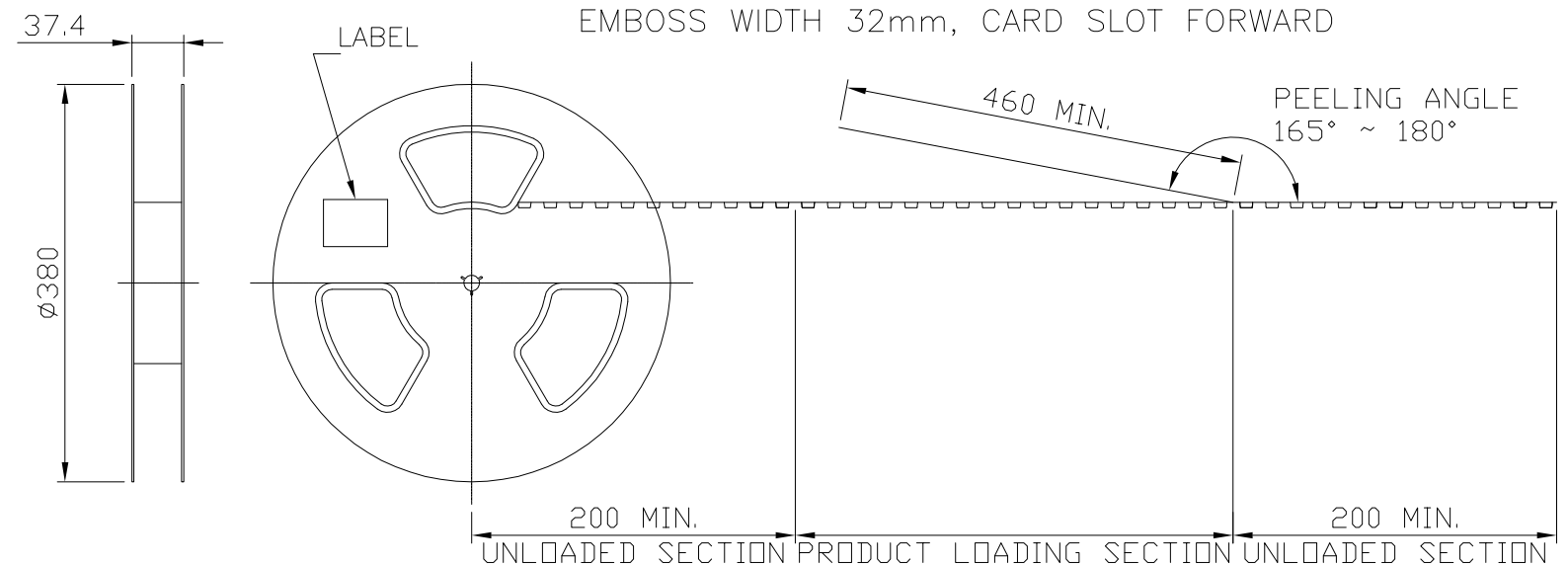
BOTTOM SIDE

RECOMMENDED PCB LAYOUT

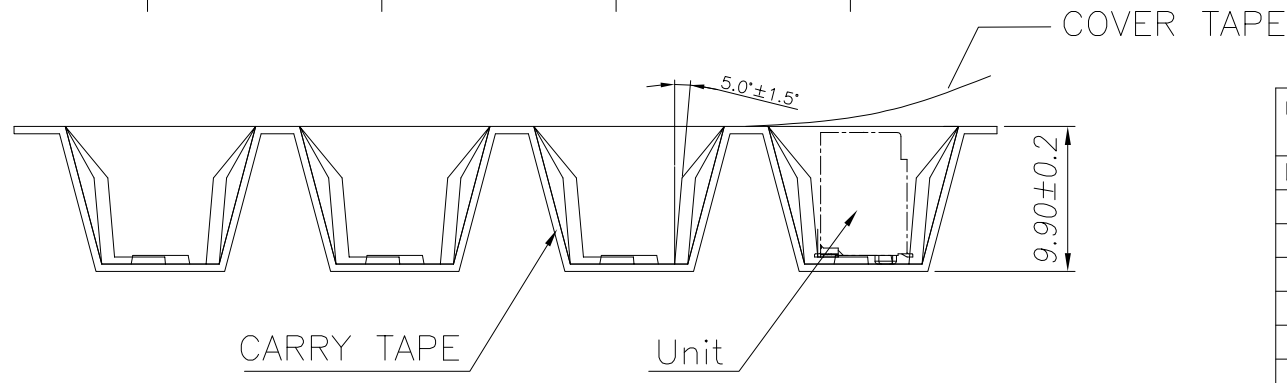
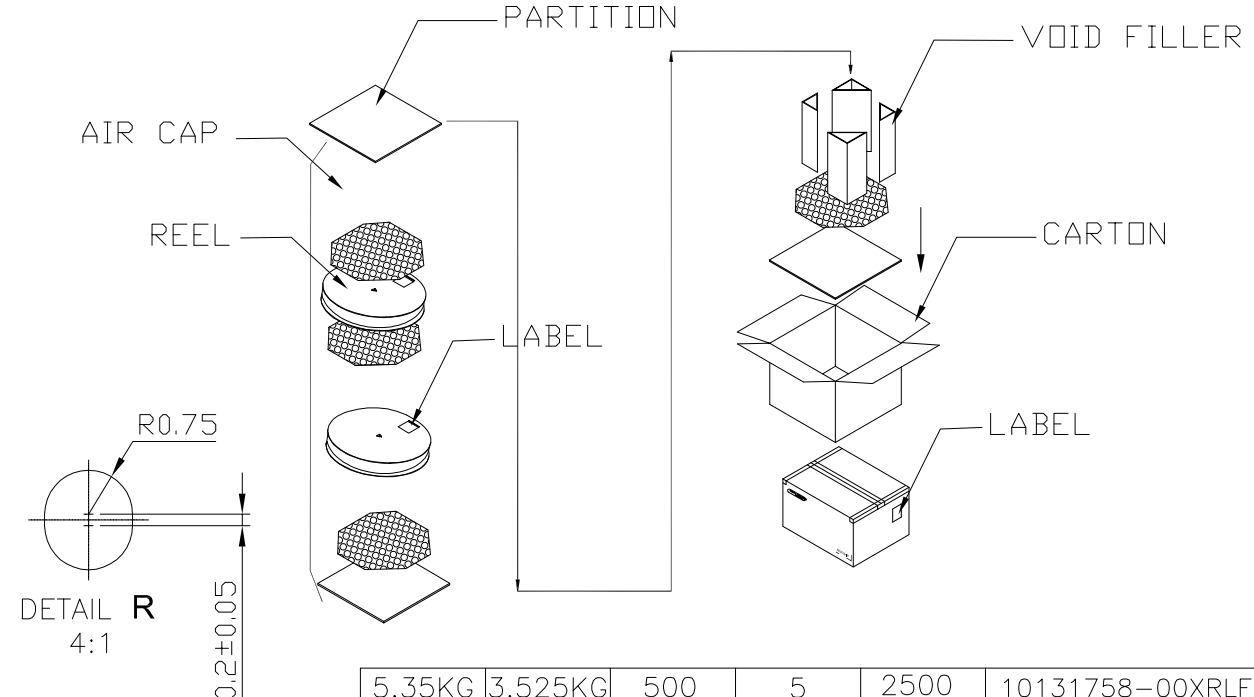
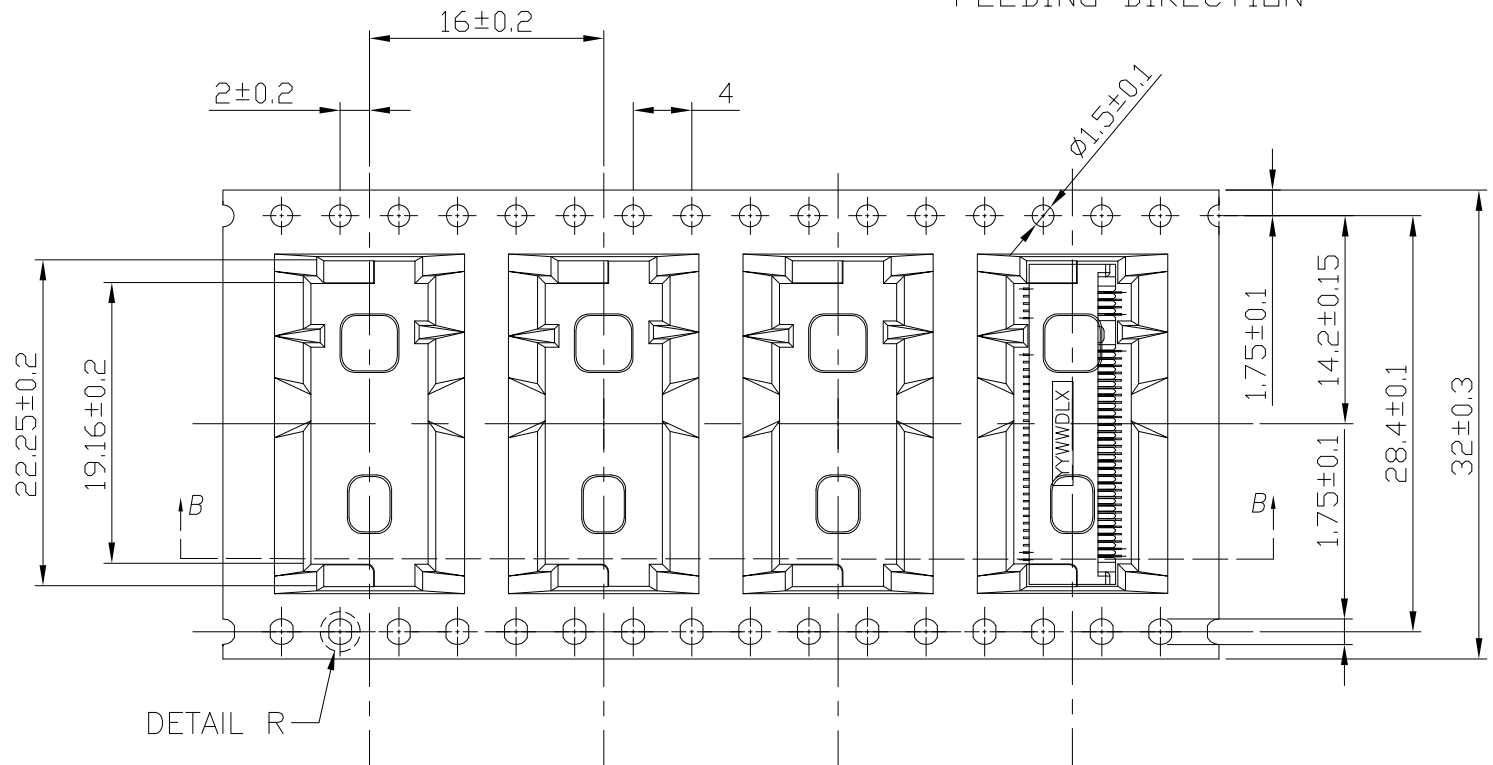


22110	107.60
2280	77.60
2260	57.60
2242	39.60
2230	27.60
3042	39.60
3030	27.60
MODULE TYPE	DIM.P

mat'l. code				surface		tolerance		projection		product family					
-				-		ASME_Y14.5				-					
ltr				ecn no		dr		date		title					
										M.2_CONNECTOR_KEY_M					
										8.5MM_HEIGHT					
								MM		5					
								scale N/A		dwg no					
								Amphenol FCI		sheet 2 of 4					
										size					
										A4					
										type					
										CUSTOMER Drawing					
sheet index		revision sheet		c											

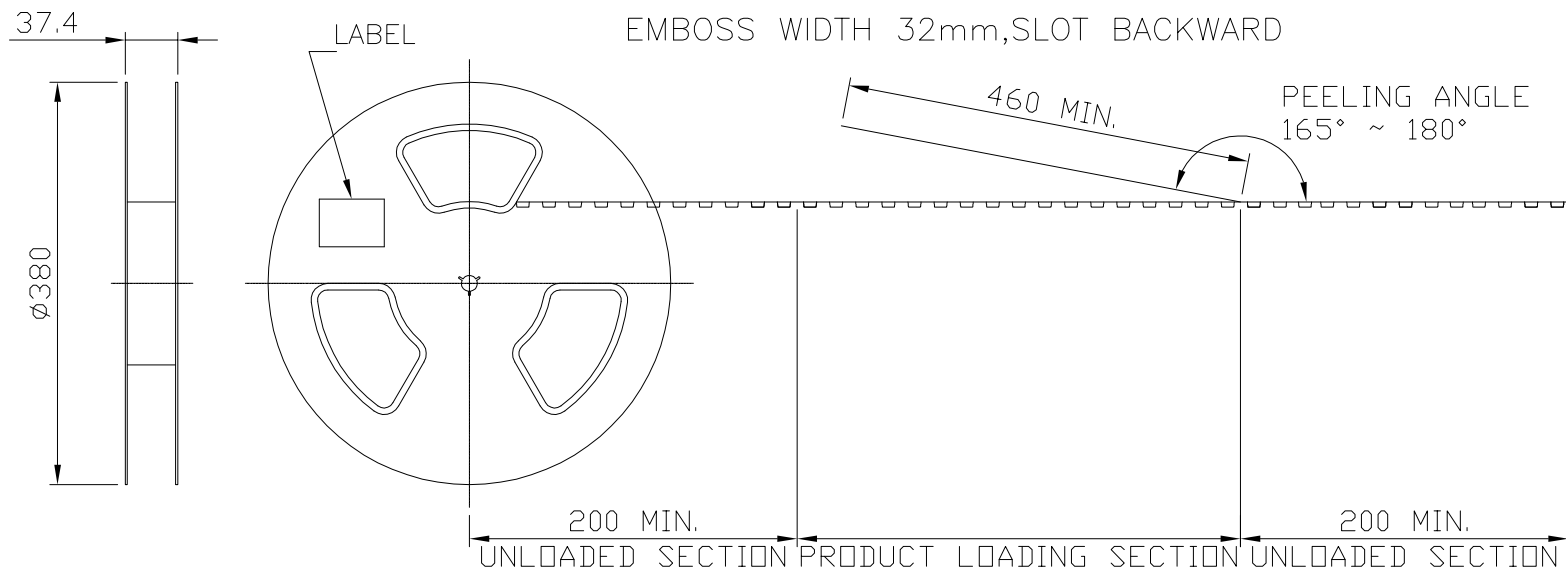


- NOTES :
- MATERIAL :
COVER TAPE : ANTISTATIC P.S T=0.05±0.01 ,COLOR:CLEAR
CARRIER TAPE : ANTISTATIC P.S T=0.40±0.10,COLOR:BLACK
REEL : PS UL94V-0
CARTON: CORRUGATED FIBER
 - DIMENSION :
REEL : SEE DRAWING
SHIPPING BOX: 385X385X295mm
 - QUANTITY : SEE TABLE
 - PEELING RESISTANCE : 10gf~130gf (for 12~56mm)
 - PEELING SPEED : 300mm/MINUTES



5.35KG	3.525KG	500	5	2500	10131758-00XRLF
GROSS WEIGHT	NET WEIGHT	PCS/ REEL	REEL/ CARTON	PCS/ CARTON	PART NUMBER

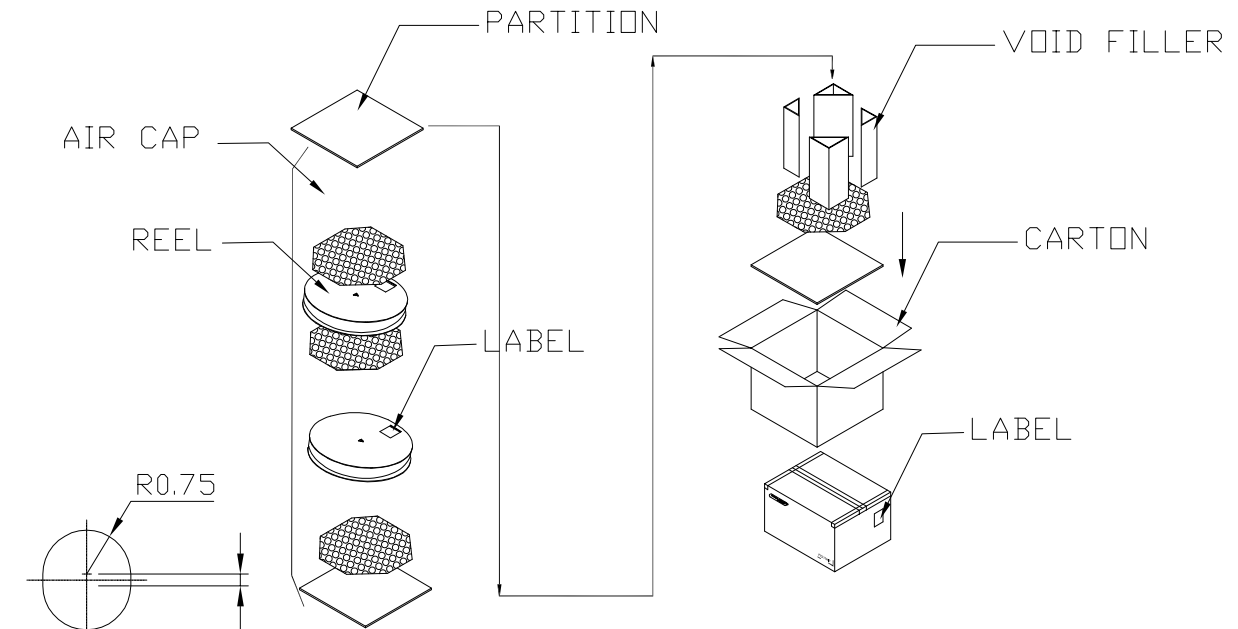
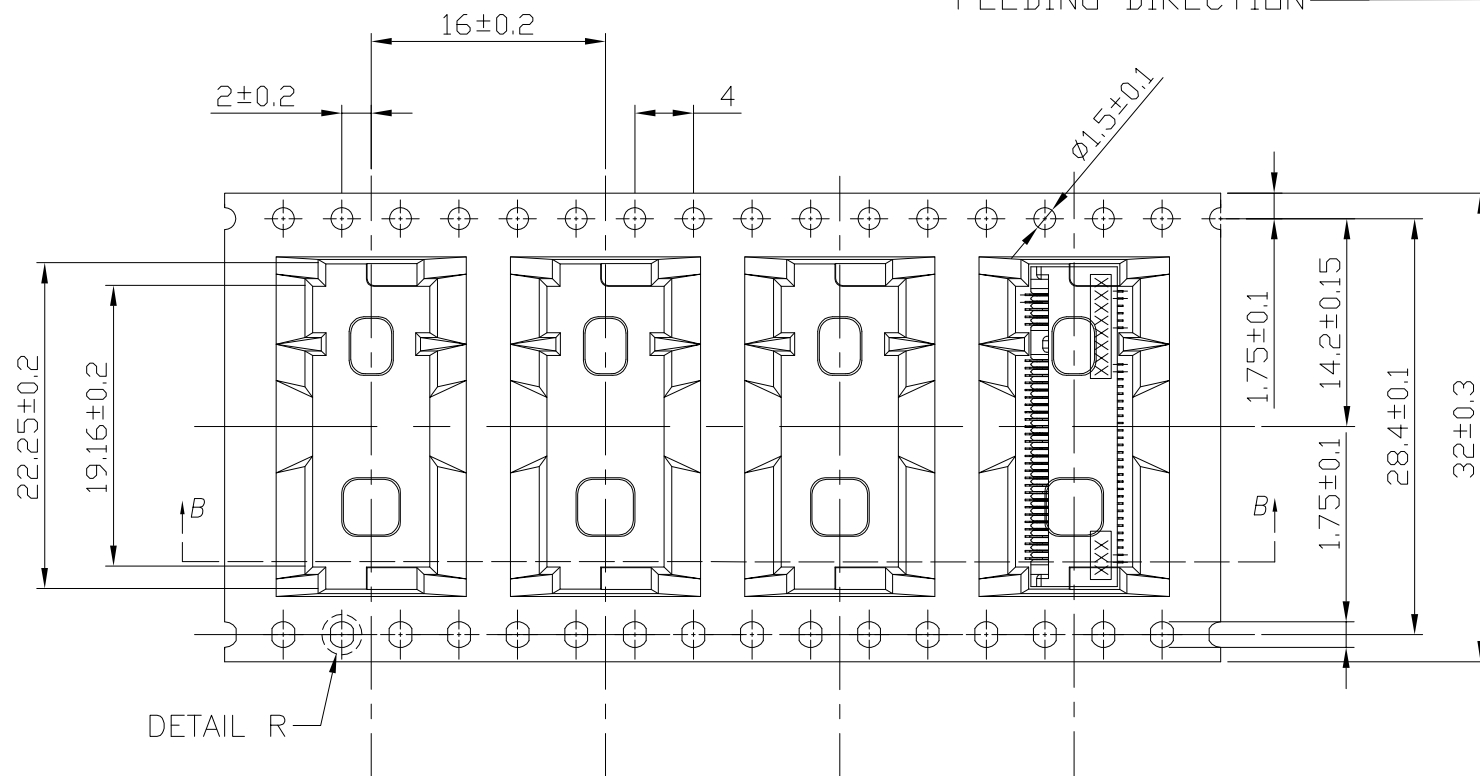
mat'l. code				surface	tolerance	projection	product family	
-				-	ASME_Y14.5		-	
ltr	ecn no	dr	date	tolerances unless otherwise specified		MM	title	
				angles	Linear		M.2_CONNECTOR_KEY_M	
				±2°			8.5MM_HEIGHT	
				dr	KENNY_TAI	2014-09-15		dwg no
				engr	KENNY_TAI	2014-09-15		sheet 3 of 4
				chr	KENNY_TAI	2014-09-15		size
				appd	PM_ZHENG	2014-09-15		A4
sheet index	revision sheet	c						type
								CUSTOMER Drawing



NOTES :

1. MATERIAL :
COVER TAPE : ANTISTATIC P.S T=0.05±0.01 ,COLOR:CLEAR
CARRIER TAPE : ANTISTATIC P.S T=0.40±0.10,COLOR:BLACK
REEL : PS UL94V-0
CARTON: CORRUGATED FIBER
2. DIMENSION :
REEL : SEE DRAWING
SHIPPING BOX: 385X385X295mm
3. QUANTITY : SEE TABLE
4. PEELING RESISTANCE : 10gf~130gf (for 12~56mm)
5. PEELING SPEED : 300mm/MINUTES

FEEDING DIRECTION →



5.35KG	3.525KG	500	5	2500	10131758-00X1LF
GROSS WEIGHT	NET WEIGHT	PCS/ REEL	REEL/ CARTON	PCS/ CARTON	PART NUMBER

mat'l. code				surface	tolerance	projection	product family		
-				-	ASME_Y14.5		-		
ltr	ecn no	dr	date	tolerances unless otherwise specified			title		
				angles	Linear	MM	M.2_CONNECTOR_KEY_M		
				±2°		scale N/A	8.5MM_HEIGHT		
		dr	KENNY_TAI	2014-09-15		Amphenol FCi	dwg no		
		engr	KENNY_TAI	2014-09-15			sheet 4 of 4		size
		chr	KENNY_TAI	2014-09-15			10131758		A4
		appd	PM_ZHENG	2014-09-15			type		CUSTOMER Drawing
sheet index	revision sheet	c							