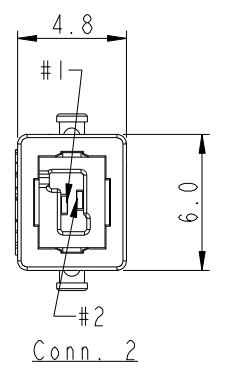
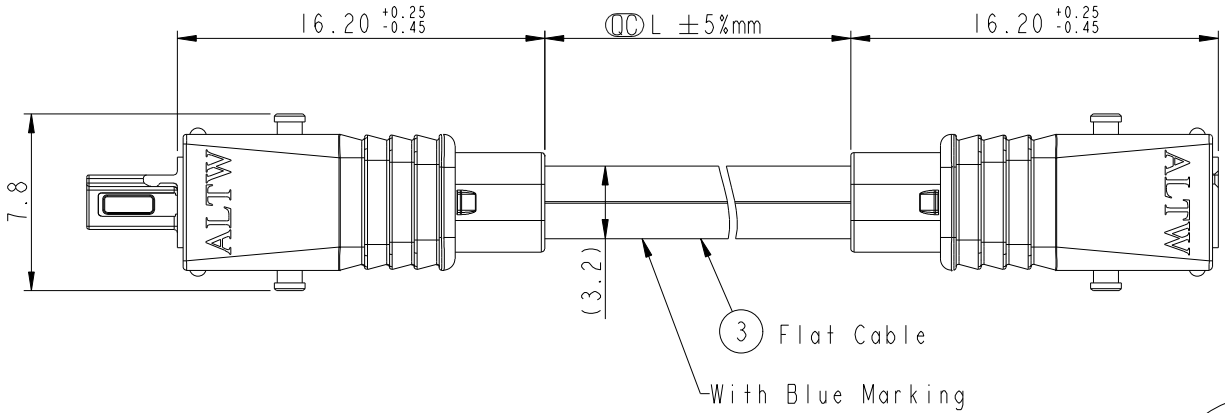
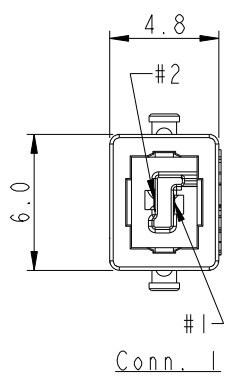
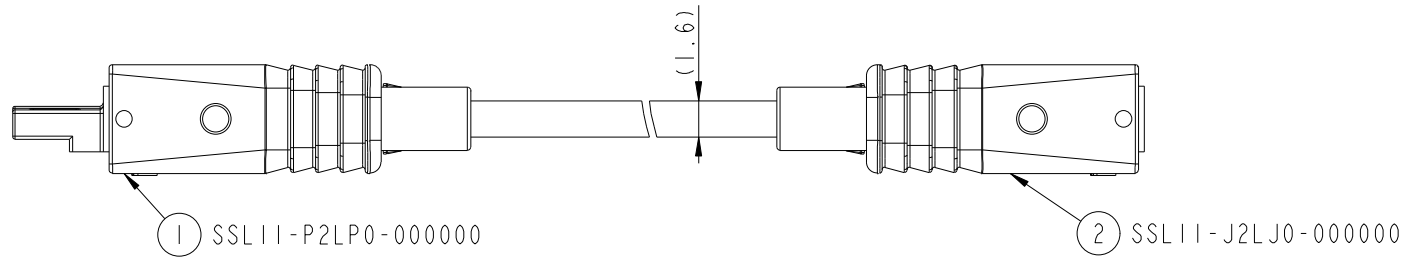


REV.	ECN NO.	DATE	SIGN	DESCRIPTION
A	Initial Release	2014-04-16	Fisher	Initial Release

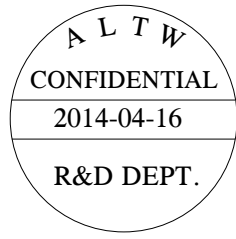


SSL11-P2LJP-022DXX

06: L=600mm.
Cable Length Range(L): 100~9900mm

22: 22AWG

LOCK&LATCH OPTION
0: W/O LOCK



2	White	2
1	Blue Marking	1
Conn. 1	Wire Color	Conn. 2
Pin Out		

- Notes:
- * ③ Important Dimensions To Check.
 - * Housing: Thermoplastic, UL94V-0, Natural White.
 - * Terminal: Copper Alloy, Gold Plated.
 - * Hood: Thermoplastic, UL94V-0, Natural White.
 - * SR Mold: PP, UL94V-0, Natural White.
 - * Flat Cable: UL21016, 2F * 22AWG, XLPE Insulation, White

UNIT:mm		TITLE
TOLERANCE		SSL1.1 Flat Cable, 2-Pos. W/O Lock, Plug to Jack
.X ± 0.25		SCALE 3:1
.XX ± 0.1		SIZE A4
.XXX ± 0.05		SHEET 1 OF 1
ANGLES $\pm 1^\circ$		REV. A
		WC-REV. A.2
		③: Inspection item

Amphenol LTW
安費諾亮泰企業股份有限公司

ITEM NO	DRAWN BY	DATE
DWG NO	Fisher_Wang	2014-04-16
CUSTOMER	CHECKED BY	DATE
ALTW	Ivan_Lin	2014-04-16
	APPROVED BY	DATE
	Kevin_Hu	2014-04-16

THIS DOCUMENT IS SUBJECT TO CHANGE WITHOUT NOTICE. IT IS CONFIDENTIAL AND A PROPERTY OF AMPHENOL LTW. DISCLOSURE TO THIRD PARTY HAS TO BE AUTHORIZED BY AMPHENOL LTW.