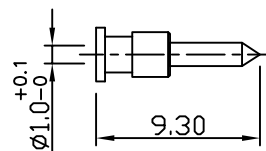
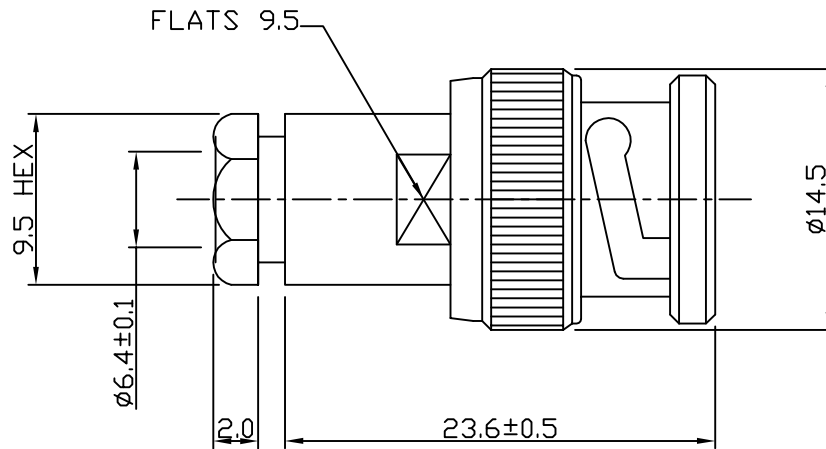


RoHS COMPLIANT



Electrical Characteristics

Nominal Impedance:	50 ohms
Frequency Range:	DC to 4 GHz
VSWR:	1.3:1 maximum
Insertion Loss:	0.2 dB at 3 GHz
Operating Voltage (rms):	500 V maximum at sea level
Dielectric Withstand Voltage (rms):	1500 V maximum at sea level
Contact Resistance:	1.5 milliohms maximum
Insulation Resistance:	5000 megohms minimum

Mechanical Characteristics

Mating Cycles:	500 cycles minimum
Interface Dimensions:	Conform to MIL-C-39012

Environmental Characteristics

Temperature Range:	-55 °C to +85 °C
--------------------	------------------

	PART	DESCRIPTION
1	Body	Brass, nickel plated 1.78 μ m
2	Clamp Nut	Brass, nickel plated 1.78 μ m
3	Dielectric	POM
4	Contact	Brass, gold plated 0.076 μ m - 0.127 μ m
5	Gasket	Rubber

Measurement update	KA	3	16 Aug 07
CAD Issue	SN	2	24 Jan 02
First Issue	AT	1	04 Jan 95
DESCRIPTION OF REVISION	APPVD	ISS	DATE

For stripping and assembly instructions see Drawing Number: VAIB1202



Cinch Connectivity Solutions
7-13 Russel Way,
Widford Industrial Estate,
Chelmsford, Essex,
CM1 3AA, UK.
Tel: +44 (0) 1245 359515
Fax: +44 (0) 1245 358938

SCALE: Not To Scale

DIMENSIONS: mm

TOLERANCES:
 \pm 0.2mm unless
otherwise stated

DRAWN BY: S Nash

CHECKED BY: S Nash

APPROVED BY: P D Couzens

DATE: 03 May 02

TITLE:

BNC Clamp Plug for RG59

PART NUMBER:

VBS10-2031

PAGE: 1 of 1