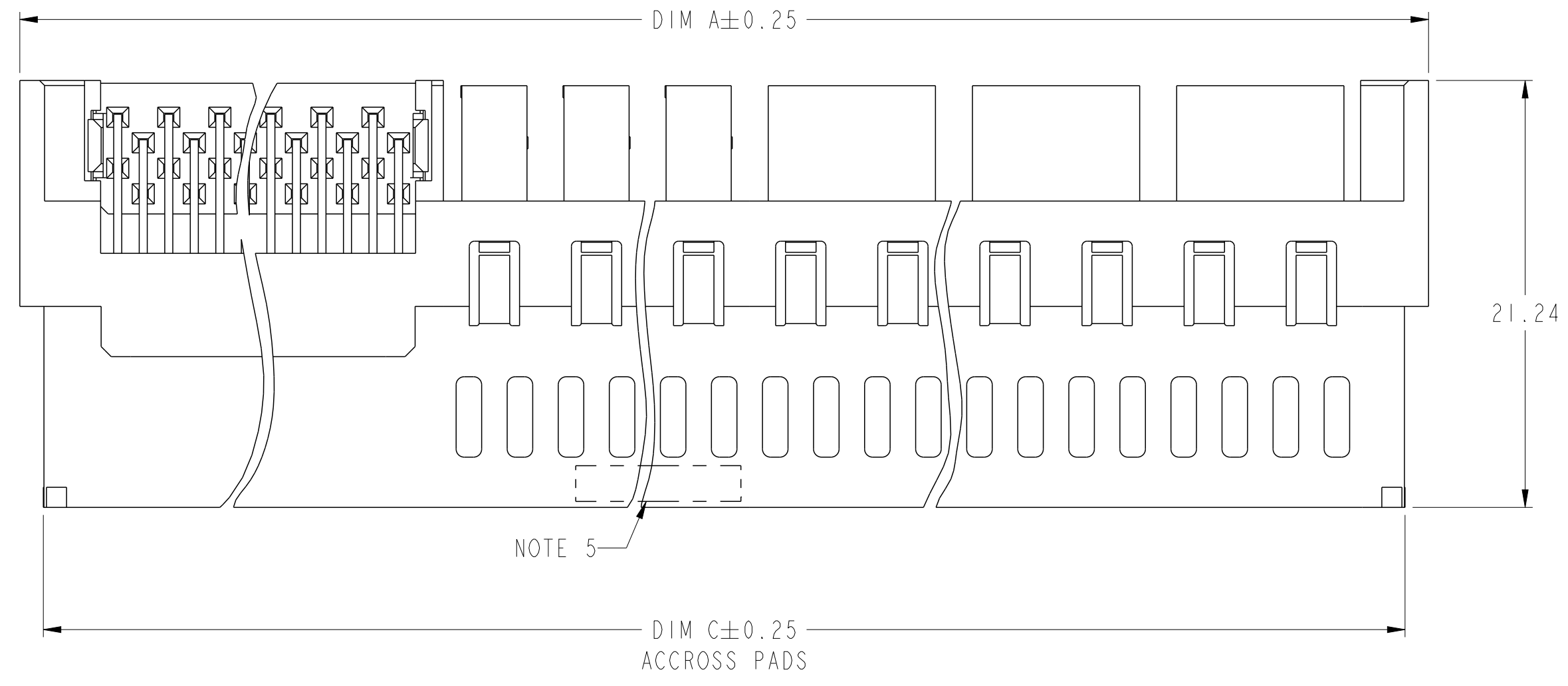
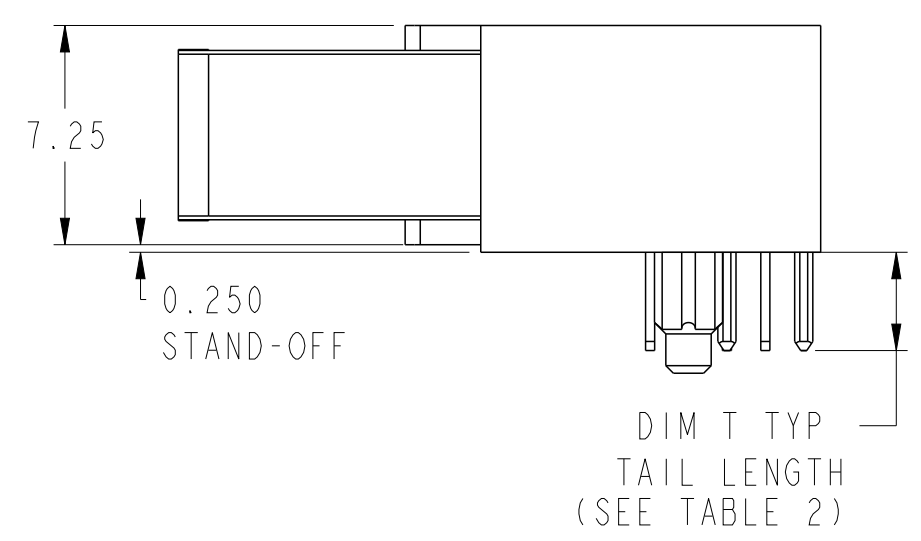
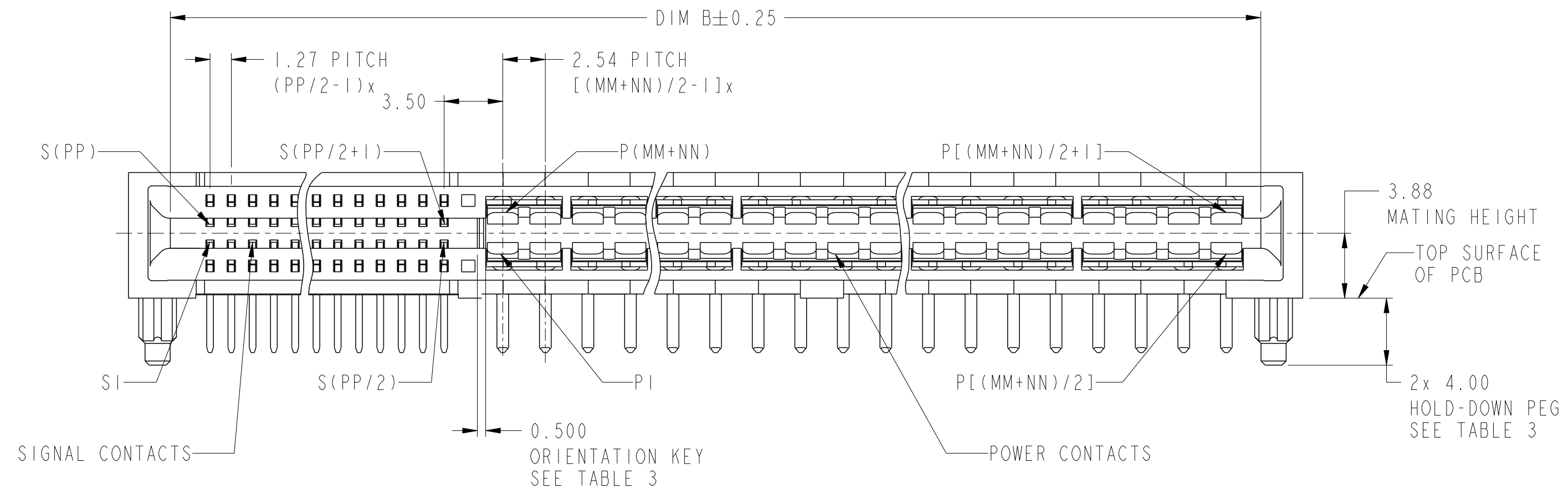


1 2 3 4 5 6 7 8

A
B
C



D
E
F

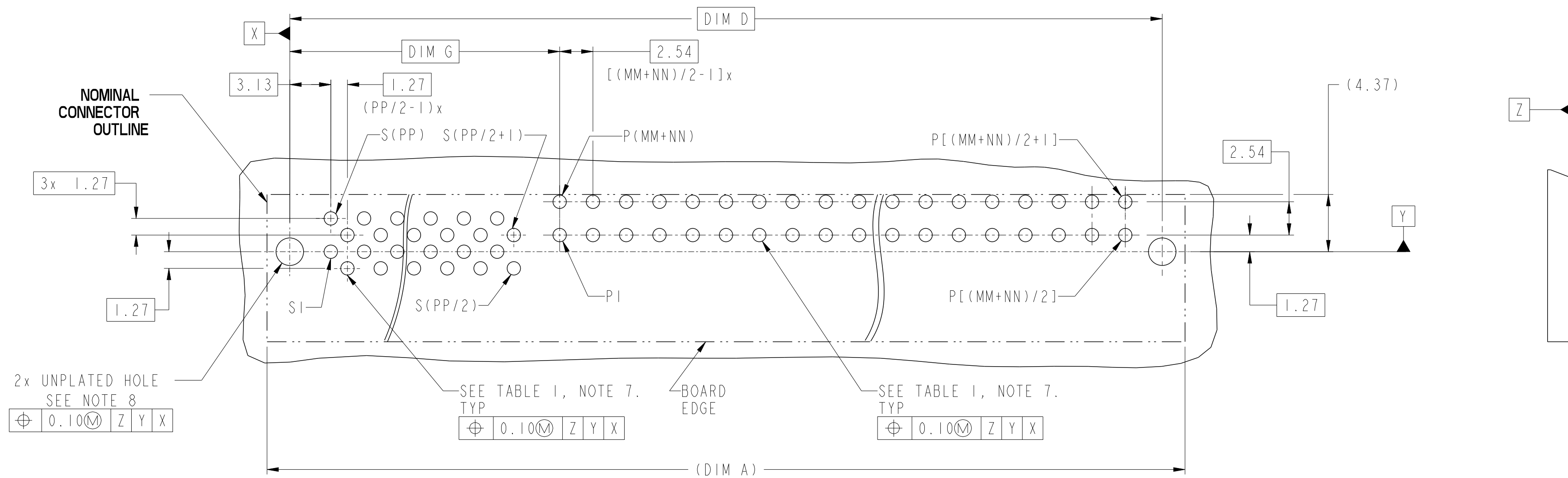


Amphenol
FCi

© 2016 AFci

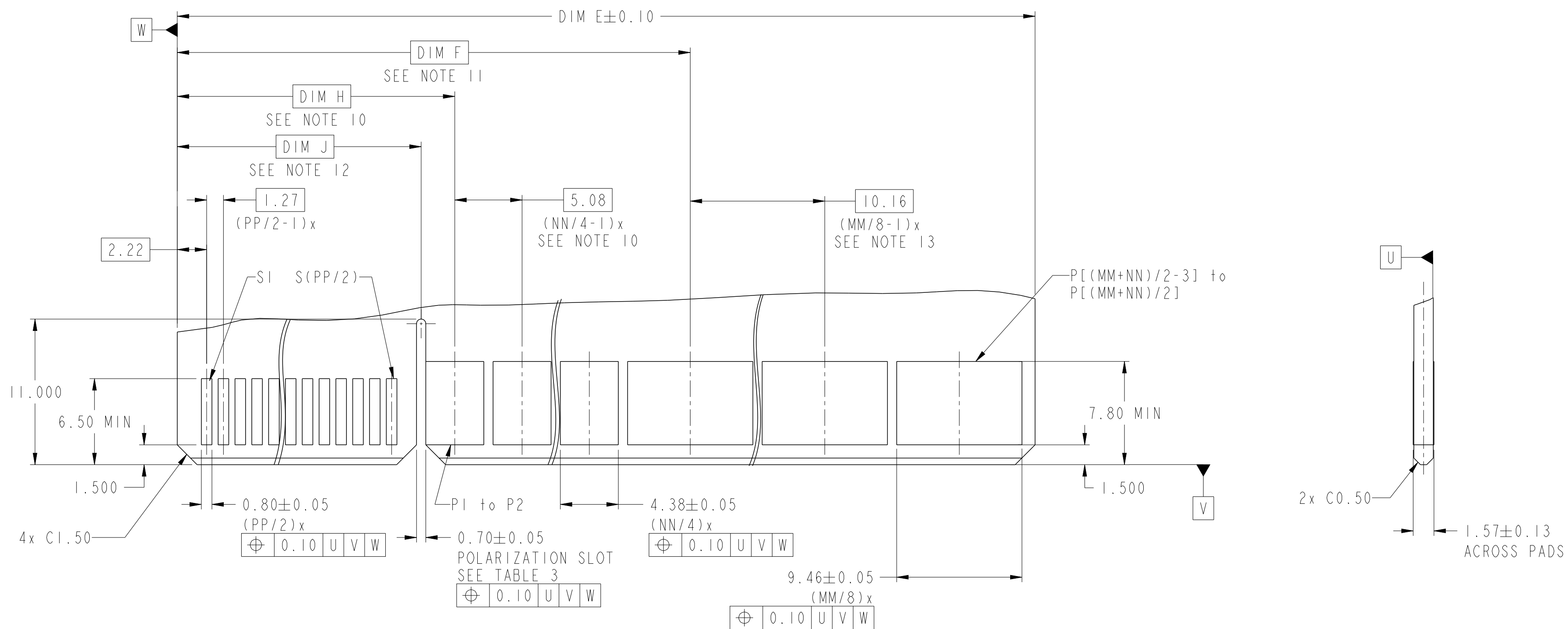
| | | | | | | | | | | |
|---------------------------------------|---------------------|------|--------------|------------|----------------------------------|----|------------------------------------|--------------------|--------------|----------|
| spec ref | - | dr | Hai-Ling Liu | 2014/07/23 | projection | MM | size | A2 | scale | 4:1 |
| tolerance std | ISO 406 ISO 1101 | eng | Sunny2 Liu | 2016/05/06 | | | ecn no | ELX-DG-24036-1 | rel level | Released |
| TOLERANCES UNLESS OTHERWISE SPECIFIED | | chr | Terris Liu | 2016/05/20 | | | | | | |
| surface | linear | 0.X | ±0.5 | | R/A REC S+P STANDARD | | cat. no. Product - Customer Drw | dwg no 10131077 | sheet 1 of 4 | rev C |
| | | 0.XX | ±0.25 | | HIGH POWER CARD EDGE - UNIVERSAL | | | | | |
| | angular | 0° | ±2° | | | | | | | |

| CONTACT TYPE | TOP LAYER DESCRIPTION | TABLE 1 (HPCE / SOLDER TAILS) PLATED THROUGH-HOLE REQUIREMENTS | | | | |
|----------------|-----------------------|---|------------------|--------------------|---------------|------------------------|
| | | DRILLED HOLE DIAMETER | COPPER THICKNESS | TIN-LEAD THICKNESS | TIN THICKNESS | FINISHED HOLE DIAMETER |
| POWER & SIGNAL | TIN-LEAD | 1.10-1.16 (1.15 DRILL) | 0.025 - 0.050 | 0.005 - 0.015 | -- | 0.94 - 1.10 |
| | IMMERSION TIN | 1.10-1.16 (1.15 DRILL) | 0.025 - 0.050 | -- | 0.9 - 1.5um | 0.94 - 1.10 |
| | COPPER | 1.10-1.16 (1.15 DRILL) | 0.025 - 0.050 | -- | -- | 0.94 - 1.10 |



RECOMMENDED PCB LAYOUT
DIMENSION TOLERANCE IS $\pm 0.05mm$

| | | | | | | | | | | |
|---|---------------------|---------|----------------|---------------|---------------------|----|----------------|------------------------|-----------|----------|
| spec ref | - | dr | Hai-Ling Liu | 2014/07/23 | projection | MM | size | A2 | scale | 4:1 |
| tolerance std | ISO 406 ISO 1101 | eng | Sunny2 Liu | 2016/05/06 | | | ecn no | ELX-DG-24036-1 | rel level | Released |
| TOLERANCES UNLESS OTHERWISE SPECIFIED | | chr | Terris Liu | 2016/05/20 | | | | | | |
| | | appr | Pai-Ming Zheng | 2016/05/24 | | | | | | |
| surface | ISO 1302 | linear | 0.X | ± 0.5 | Amphenol FCI | | product family | R/A REC S+P STANDARD | div no | 10131077 |
| | | angular | 0° | $\pm 2^\circ$ | Amphenol FCI | | cat. no. | Product - Customer Drw | rev | C |
| PDS: Rev :C STATUS:Released Printed: May 24, 2016 | | | | | | | | | | |



RECOMMENDED MATING BOARD
 FOOT PRINT
 DIMENSION TOLERANCE IS ± 0.05 mm

| | | | | | | | | | | |
|---------------------------------------|---------------------|---------|----------------|------------|------------|----|--|----------------|------------------------------------|--------------|
| spec ref | - | dr | Hai-Ling Liu | 2014/07/23 | projection | MM | size | A2 | scale | 4:1 |
| tolerance std | ISO 406 ISO 1101 | eng | Sunny2 Liu | 2016/05/06 | | | ecn no | ELX-DG-24036-1 | rel level | Released |
| TOLERANCES UNLESS OTHERWISE SPECIFIED | | chr | Terris Liu | 2016/05/20 | | | | | | |
| | | appr | Pai-Ming Zheng | 2016/05/24 | | | | | | |
| surface | ISO 1302 | linear | 0.X | ±0.5 | | | R/A REC S+P STANDARD HIGH POWER CARD EDGE - UNIVERSAL | | cat. no. Product - Customer Drw | sheet 3 of 4 |
| | | angular | 0° | ±2° | | | dng no 10131077 | | rev C | |

PDS: Rev :C

STATUS:Released

Printed: May 24, 2016

Amphenol
FCI

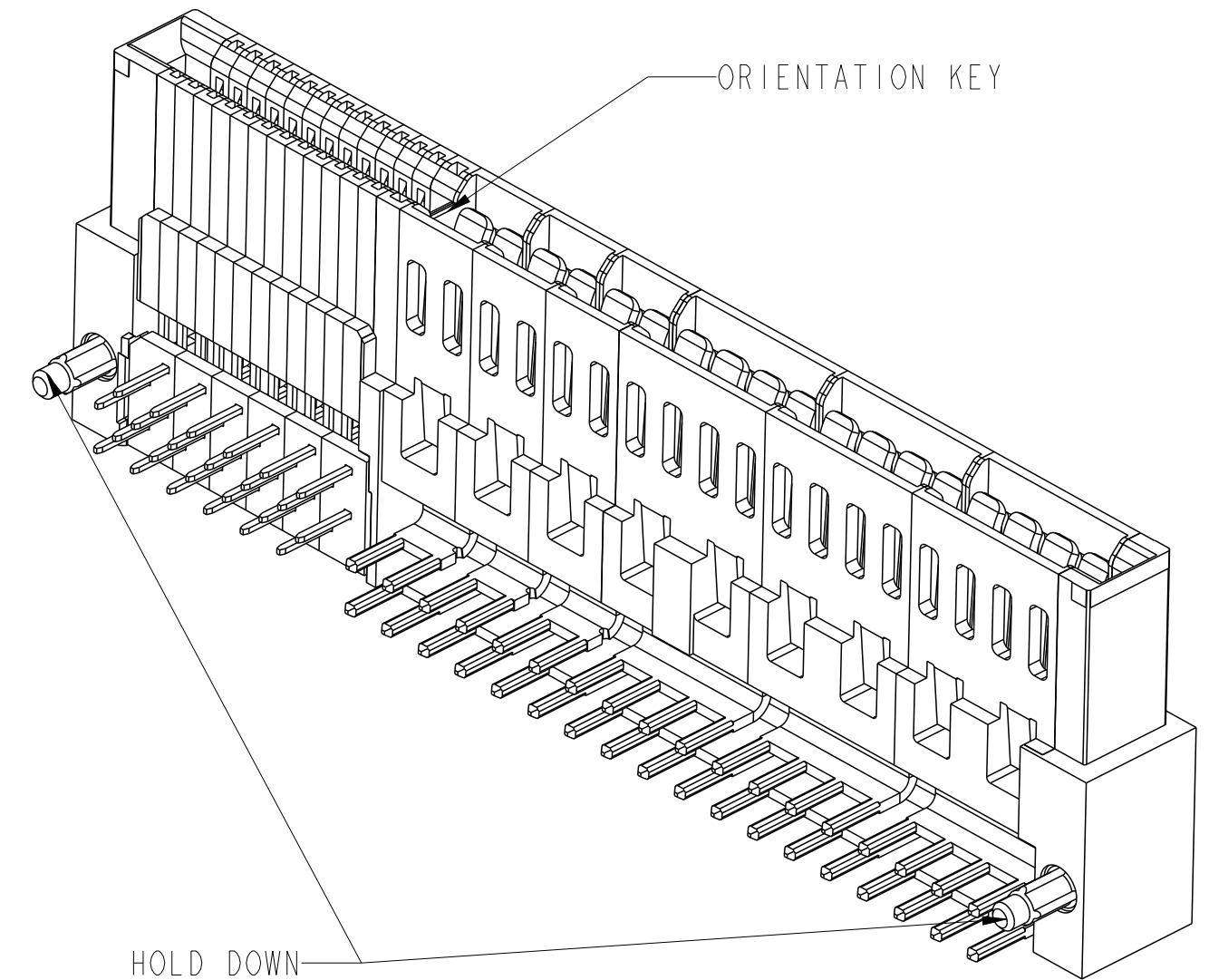
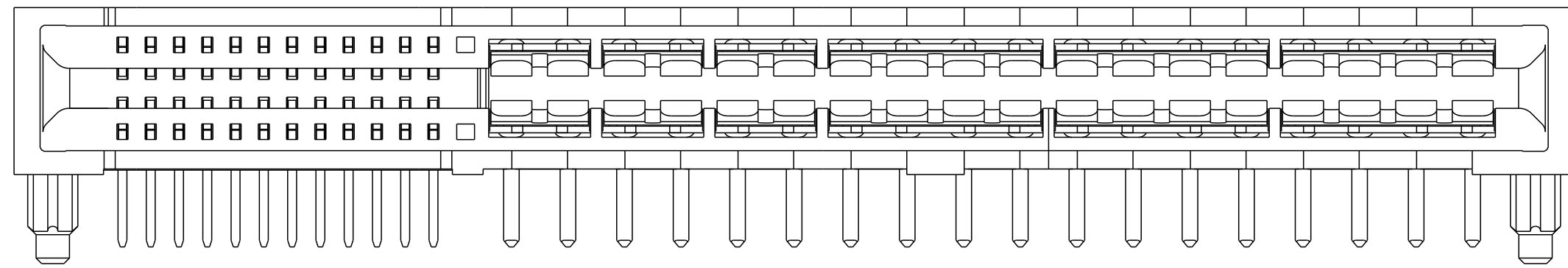
© 2016 APCI

10131077 - MM NN PP LF LEAD FREE

| | | | | | | | | |
|--------------------|-----|-----|-----|-----|------|------|------|------|
| | A | B | C | D | E | F | G | H |
| Tail Length(DIM T) | 2.6 | 2.6 | 2.6 | 2.6 | 3.25 | 3.25 | 3.25 | 3.25 |
| Orientation Key | Y | N | N | Y | Y | N | N | Y |
| Hold Down Option | Y | Y | N | N | Y | Y | N | N |

| | | | |
|------|------|------|------|
| J | K | L | M |
| 4.05 | 4.05 | 4.05 | 4.05 |
| Y | N | N | Y |
| Y | Y | N | N |

PP SIGNAL CONTACT QTY
 NN 2 BEAM PWR QTY (NEXT TO SIGNAL)
 MM 4 BEAM PWR QTY (NEXT TO RIGHT END)



Example: The Configuration above is 10131077-241224ELF
 R/A RECEPTACLE 24S36P with Orientation Key and Hold Down.
 24P is 4 beam contacts, 12P is 2 beam contacts.

EXAMPLE: 10131077-241224ELF

TABLE 3: PART NUMBER CODE FOR HPCE R/A RECEPTACLE S+P CONFIG

NOTES:

- CONNECTOR MATERIALS:
 HOUSING: HIGH TEMPERATURE THERMAL PLASTIC, BLACK
 UL 94V-0 COMPLIANT
 CONTACTS: HIGH PERFORMANCE COPPER ALLOY.
- CONTACT FINISH REF. GS-12-604 SECTION 5.2.
- PRODUCT SPECIFICATION: GS-12-604.
- APPLICATION SPECIFICATION: GS-20-128.
- PRODUCT MARKING ON HOUSING IN AREA SHOWN MEETS FCI SPECIFICATION: GS-24-007.
- PACKAGING MEETS FCI SPECIFICATION GS-14-937.
- ALL HOLE SIZES ARE FINISHED HOLE SIZES.
- MOUNTING HOLES ARE UNPLATED
 $\varnothing 2.18 \pm 0.03$ FOR SOLDER TAILS
- MAXIMUM OVERALL LENGTH IS 100mm.
- DIM IS NOT APPLICABLE IF NO 2 BEAM CONTACT.
- DIM IS NOT APPLICABLE IF NO 4 BEAM CONTACT.
- DIM IS NOT APPLICABLE IF NO ORIENTATION KEY.
- A SYMBOL \triangle WILL BE NEXT TO ANY DIMENSION, VIEW, OR NOTE WHICH HAS BEEN MODIFIED WITH THE CURRENT DRAWING REVISION.

| DIM | TABLE 2: LENGTH FORMULAS |
|--------------------------------|---|
| DIM A $\text{\textcircled{1}}$ | $(MM + NN) / 2 \times 2.54 + (PP / 2) \times 1.27 + 9.12$ |
| DIM B | $DIM A - 5.00$ |
| DIM C | $DIM A - 2.34$ |
| DIM D | $DIM A - 3.48$ |
| DIM E | $DIM A - 5.30$ |
| DIM F | $(PP / 2 - 1) \times 1.27 + (NN / 4 - 1) \times 5.08 + 14.61$ (WITH 2 BEAM CONTACT) $(PP / 2 - 1) \times 1.27 + 9.53$ (WITHOUT 2 BEAM CONTACT) |
| DIM G | $(PP / 2 - 1) \times 1.27 + 6.63$ |
| DIM H | $(PP / 2 - 1) \times 1.27 + 6.99$ |
| DIM J | $(PP / 2 - 1) \times 1.27 + 4.45$ |
| DIM T | 2.6 or 3.25 |

| | | | | | | | | | | |
|---------------|---------------------|------|----------------|------------|----------------|----|-----------|--|-------|--------------|
| spec ref | - | dr | Hai-Ling Liu | 2014/07/23 | projection | MM | size | A2 | scale | 4:1 |
| tolerance std | ISO 406 ISO 1101 | eng | Sunny2 Liu | 2016/05/06 | | | ecn no | ELX-DG-24036-1 | | |
| surface | linear | chr | Terris Liu | 2016/05/20 | | | rel level | Released | | |
| | angular | appr | Pei-Ming Zheng | 2016/05/24 | product family | | cat. no. | R/A REC S+P STANDARD HIGH POWER CARD EDGE - UNIVERSAL | | |
| | | | | | | | cat. no. | 10131077 | | |
| | | | | | | | | Product - Customer Drw | | sheet 4 of 4 |