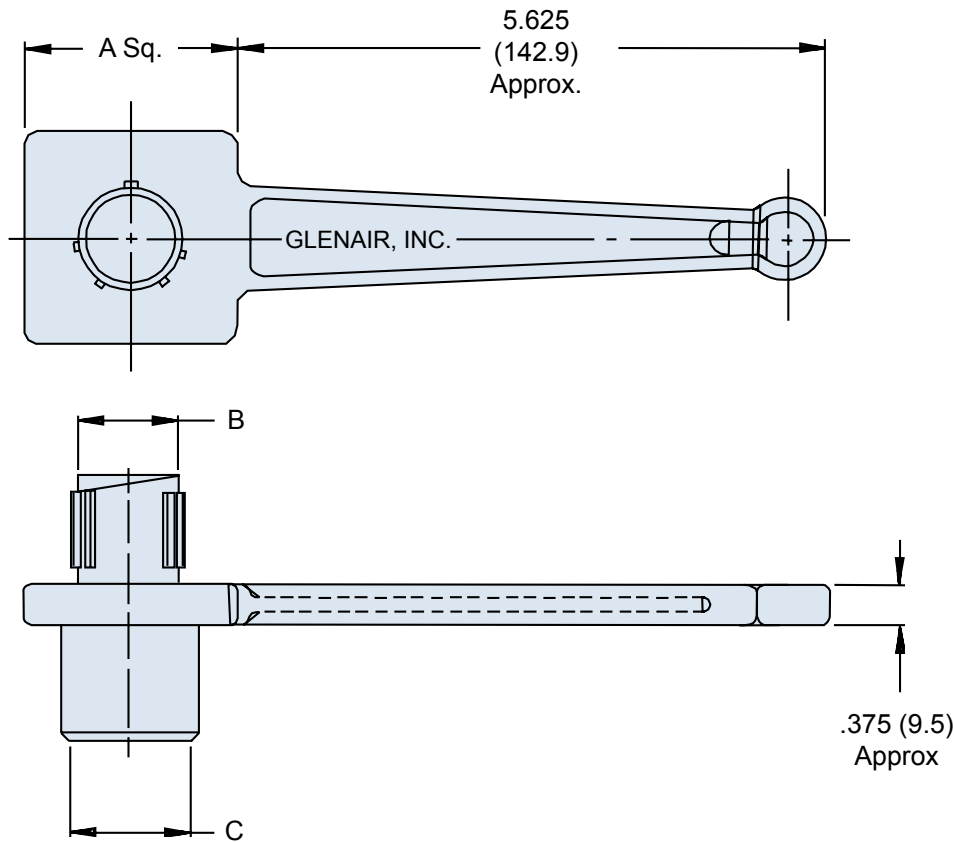


**TG90**
**- 15**
**A**
**Basic Part  
Number**
**Shell  
Size**
**Polarization  
A, B, C, D, E  
(Omit for Normal)**


| Shell<br>Size | A Dim. |        | B Dia. |        | C Dia. |        |
|---------------|--------|--------|--------|--------|--------|--------|
|               | ± .062 | (1.6)  | Ref.   | Ref.   | Ref.   | Ref.   |
| 09            | 1.250  | (31.8) | .438   | (11.1) | .441   | (11.2) |
| 11            | 1.250  | (31.8) | .566   | (14.4) | .569   | (14.5) |
| 13            | 1.250  | (31.8) | .678   | (17.2) | .682   | (17.3) |
| 15            | 2.000  | (50.8) | .802   | (20.4) | .811   | (20.6) |
| 17            | 2.000  | (50.8) | .928   | (23.6) | .931   | (23.6) |
| 19            | 2.000  | (50.8) | 1.032  | (26.2) | 1.037  | (26.3) |
| 21            | 2.000  | (50.8) | 1.155  | (29.3) | 1.162  | (29.5) |
| 23            | 2.750  | (69.9) | 1.283  | (32.6) | 1.288  | (32.7) |
| 25            | 2.750  | (69.9) | 1.407  | (35.7) | 1.411  | (35.8) |

**APPLICATION NOTES**

1. Metric dimensions (mm) are indicated in parentheses.
2. Material: Aluminum alloy with electroless nickel finish.