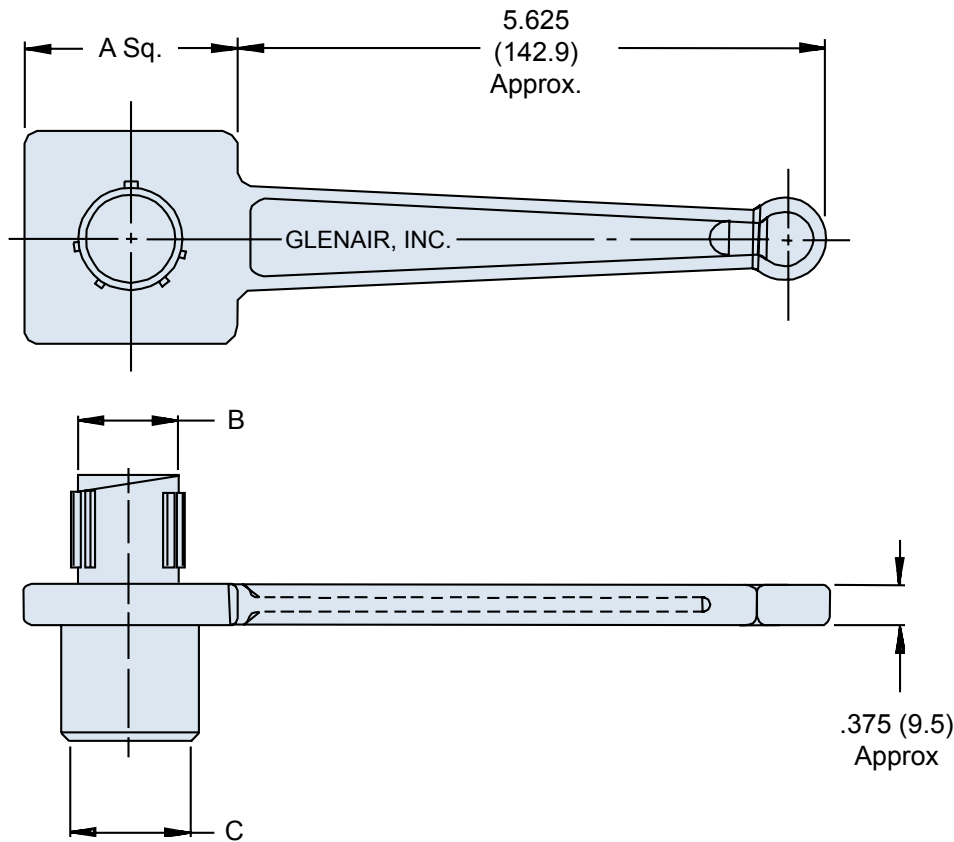


**TG90**
**- 15**
**A**
**Basic Part  
Number**
**Shell  
Size**
**Polarization  
A, B, C, D, E  
(Omit for Normal)**


Shell Size	A Dim.		B Dia.		C Dia.	
	± .062	(1.6)	Ref.	Ref.	Ref.	Ref.
09	1.250	(31.8)	.438	(11.1)	.441	(11.2)
11	1.250	(31.8)	.566	(14.4)	.569	(14.5)
13	1.250	(31.8)	.678	(17.2)	.682	(17.3)
15	2.000	(50.8)	.802	(20.4)	.811	(20.6)
17	2.000	(50.8)	.928	(23.6)	.931	(23.6)
19	2.000	(50.8)	1.032	(26.2)	1.037	(26.3)
21	2.000	(50.8)	1.155	(29.3)	1.162	(29.5)
23	2.750	(69.9)	1.283	(32.6)	1.288	(32.7)
25	2.750	(69.9)	1.407	(35.7)	1.411	(35.8)

**APPLICATION NOTES**

1. Metric dimensions (mm) are indicated in parentheses.
2. Material: Aluminum alloy with electroless nickel finish.